

heper⁺
USA

In 1996, Bekir Heper embarked on a journey illuminated by light. Over the years, his children, Pelin Heper Ozsuer and Emrah Heper joined, transforming it into a family business. For more than two decades, HEPER has established itself as a lighting industry pioneer, grounded in tradition, dedication, and personalized service with the organization's culture reflecting the same values.

Our offerings encompass contemporary product solutions for architectural, landscape, and technical lighting needs. Crafted from durable and eco-friendly materials, each HEPER luminaire showcases engineering brilliance, modern design, and exceptional optics.

In today's realm, outdoor lighting demands extend beyond illumination; they embrace safety, intelligence, and controllability that enrich our lives. At HEPER, we champion the judicious use of light. With the mission of improving people's lives through light, we diligently pursue our vision every day: "Engineering solutions beyond lighting for sustainable urban spaces with our passion for excellence, through light."

Life starts with light. So does our company history.



Two decades ago, our mission was to craft illuminating solutions elevating lives through light. Today, that passion and dedication still thrive. Our journey is now illuminated by the prospects of tomorrow. Our ardor for light propels us, inspiring innovation and the advancement of efficient lighting technologies.

When you design with HEPER you are joining our mission of improving life THRLIGHT.

Emrah Heper
CEO

Bekir Heper
Chairman of Board

Pelin Heper
CFO

When I joined the HEPER family back in 2016, I could not have dreamt of where we would be today. Not only was I entering the magnificent world of lighting, but I was also fortunate enough to do it with one of the most esteemed companies in the industry. Fast forward three years, after having served in various management roles and connecting with the amazing people of the global lighting community, I was completely head over heels in love with the industry. That is why it was an honor when I was asked to launch a North American subsidiary for HEPER Group in 2019.



Mert Erdogan

President - HEPER USA

It did not take long for HEPER USA's fairy tale start to face its toughest challenge. Like everyone else, we were not anticipating a global pandemic right after the launch of our operations, and it admittedly took us by surprise. Lunch & Learn events turned into Zoom calls, and product trainings turned into webinars. But after successfully clearing those hurdles, we gained even greater affirmation of our capabilities and our vision. Looking back today, we are beyond proud of what we have accomplished, despite all the hardships.

What we wanted to bring to the outdoor lighting community in North America was simply value. Value not only with the high-quality products or the advanced optics we offer, but also with our operations, communication, and responsiveness. Every step of the way, we aim to equate the HEPER USA name with value. I believe that is why we have already been trusted by so many in our industry and are continually honored to be a part of esteemed projects throughout the United States and Canada.


As we present this HEPER USA product catalog, we wish to thank all of you who have trusted us. We will keep working relentlessly to provide value to each of your lighting projects.

Mert





HEPER GROUP HEADQUARTERS ANKARA, TURKEY

A satellite view of Earth at night, showing city lights and aurora borealis. The image is dominated by a dark blue background with numerous bright yellow and white points of light, representing city lights and aurora borealis. The lights are scattered across the globe, with a dense concentration in the Northern Hemisphere. The aurora borealis is visible as a bright, glowing band of light in the upper left quadrant. The overall scene is a stunning display of human-made and natural light against the dark backdrop of space.

**There is no denying
that the invention of
electric light was a
milestone in human
history.**



Electric lighting has completely changed people's daily lives, especially in the sense of how they are feeling, behaving, and interacting after sundown. In today's modern world, people are outside more, communicating with one another, feeling safer in stranger environments, having the chance to appreciate beauty at all times, all thanks to lighting.

At HEPER USA, we are constantly inspired by the connection that exists between light and society.



Our 25 year-old story began with a dream of enhancing peoples lives. Today our passion is still fueled with developing high-grade solutions through our product offerings to improve life THRULIGHT.

We believe lighting
cannot be perceived
solely by human
beings.



At the other end of the equation, humans are surrounded by thousands of other species, not to mention all of nature itself. As a globally-conscientious company, we understand the positive benefits of artificial lighting are primarily limited to people. Though challenging, we must acknowledge that unnatural light brings more harm than good for most living creatures. That's why our approach at HEPER USA is to hold environmental values at our core.

Environmental values are driven by our motto:
“Light should only be where it needs to be. If it is anywhere else, it is wasteful and harmful.”



In our quest to bring value-added solutions to society while respecting nature, we vow to continue working relentlessly to create products that will make a difference through design, sustainability, and innovation. At HEPER USA, we are dedicated to and passionate about creating a better tomorrow and improving life THRULIGHT.

At HEPER USA,
our philosophy
revolves around
the importance
of the right use of
light. We believe
in the concept of
“less is more” when
it comes to utilizing
artificial light
sources.



Light Pole + Post-Top

22



Bollard + Handrail

50



Flood + In-Ground

74



Surface + Wall

88



Product Index

104



Aluminum Poles

112



Lighting Technology

118



Manufacturing

124



Custom Capability

130

At HEPER USA, we are committed to superiority, carefully selecting premium materials like corrosion-resistant aluminum and low-copper stainless steel to ensure durability and sustainability. Our fixtures, with refined finishing processes and customization options, guarantee both aesthetic appeal and high quality. Achieving remarkable reliability in various environments, we seamlessly blend tradition with cutting-edge technologies. HEPER USA is not just a lighting solution; it's a commitment to craftsmanship, innovation, and reliability, offering a unique fusion of aesthetics and functionality.







Light Pole
+
Post-Top

-
- DOMINO
 - KREIS
 - NORMA
 - POLSO
 - PRIFMA
 - RHINO
 - TERRA
 - URBAN UNITS
 - VERTEX

Bollard
+
Handrail

-
- DOMINI
 - DRAGO
 - LIA
 - NORMA
 - POLSO
 - TRIAN
 - VERTEX
 - HANDRA



Flood
+
In-Ground

PUNTO
VEGA
PINA
XEROX
ZETA

Surface
+
Wall

DOGO
DOMINO W
PINA W
PUNTO W
VEGA S W

DOMINO

Durable and Expandable Light Column Series



DOMINO stands out in contemporary architectural projects with its strong characteristics, flexible optics, and modular structure.

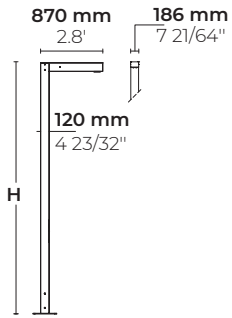
- Equipped with HEPER's patented Milestone EVO (ML EVO) or AreaFlex (AFX) module.
- Superior glare management achieved through a hidden light source.
- Indirect lighting facilitated by reflector technology.
- Flexible light distribution options ranging from Type I through Type V (AFX).
- Uniform lighting distribution through multifaceted reflectors (ML).
- Double layout configuration for enhanced flexibility.
- Superior thermal management with upward-aligned LED chips.
- Easy installation and maintenance facilitated by the modular structure.

Product code	Product name	Light distribution	Delivered lumens
LP4034.681-US	DOMINO ML EVO 1 Module	[T2] 130x85°	2909 - 3678 lm
LP4034.682-US	DOMINO ML EVO 2 Module	[T2] 130x85°	5819 - 7357 lm
LP4034.683-US	DOMINO ML EVO 3 Module	[T2] 130x85°	8733 - 11036 lm
LP4091.681-US	DOMINO ML EVO 1 Module Duo	[T2] 130x85°	5819 - 7357 lm
LP4091.682-US	DOMINO ML EVO 2 Module Duo	[T2] 130x85°	11643 - 14714 lm
LP4091.683-US	DOMINO ML EVO 3 Module Duo	[T2] 130x85°	17466 - 22070 lm
LP4034.861-US	DOMINO AFX 1 Module	[P4] 20x78°, [T1] 111x48°, [T2] 133x48°, [T2] 149x54°, [T3] 143x63°, [T4] 117x64°, [T5] 117°	1975 - 4540 lm
LP4034.862-US	DOMINO AFX 2 Module	[P4] 20x78°, [T1] 111x48°, [T2] 133x48°, [T2] 149x54°, [T3] 143x63°, [T4] 117x64°, [T5] 117°	3785 - 9085 lm
LP4034.863-US	DOMINO AFX 3 Module	[P4] 20x78°, [T1] 111x48°, [T2] 133x48°, [T2] 149x54°, [T3] 143x63°, [T4] 117x64°, [T5] 117°	5675 - 13800 lm
LP4091.861-US	DOMINO AFX 1 Module Duo	[P4] 20x78°, [T1] 111x48°, [T2] 133x48°, [T2-2] 149x54°, [T3] 143x63°, [T4] 117x64°, [T5] 117°	3785 - 9155 lm
LP4091.862-US	DOMINO AFX 2 Module Duo	[P4] 20x78°, [T1] 111x48°, [T2] 133x48°, [T2-2] 149x54°, [T3] 143x63°, [T4] 117x64°, [T5] 117°	7565 - 18625 lm
LP4091.863-US	DOMINO AFX 3 Module Duo	[P4] 20x78°, [T1] 111x48°, [T2] 133x48°, [T2-2] 149x54°, [T3] 143x63°, [T4] 117x64°, [T5] 117°	12280 - 27420 lm

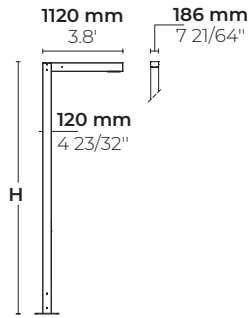


[T1] Type I, Asymmetric, Side throw
[T2] Type II, Asymmetric, Side throw (AFX)
[T2] Asymmetric, Side throw (ML)
[T3] Type III, Asymmetric, Side throw
[T4] Type IV, Asymmetric, Forward throw
[T5] Type V, Symmetric
[P4] Special pedestrian road distribution-right side traffic

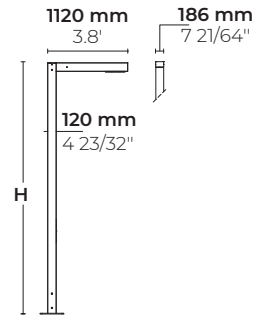
LP4034.681 / LP4034.861



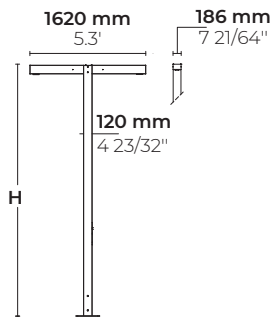
LP4034.682 / LP4034.862



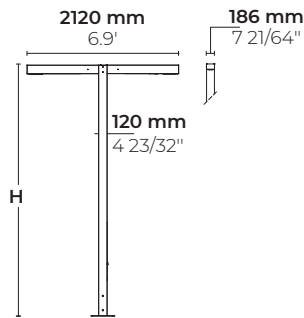
LP4034.683 / LP4034.863



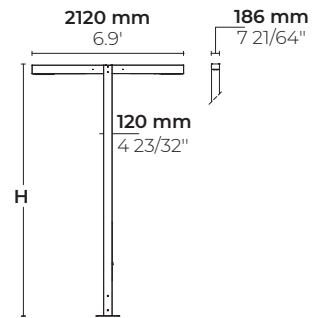
LP4091.681 / LP4091.861



LP4091.682 / LP4091.862



LP4091.683 / LP4091.863



DOMINO





KREIS

Highly-Functional, Elegant, Aesthetically-Pleasing
Post-top Collection with Modern Design



With a blend of long-life and highly-efficient optics, combined with a modern aesthetic and robust engineering, KREIS assumes a subtle presence while effectively supporting illumination tasks in modern cities and open spaces.

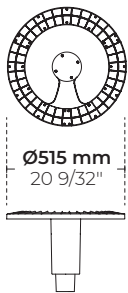
- Equipped with a high-efficiency and long-lasting LED light source.
- Superior glare management achieved through diffused glass.
- Uniform light distribution with a high level of operating efficiency.
- Optimized thermal design contributing to a longer life cycle.
- Modern and elegant design that imparts a unique touch in exterior applications.

Product code	Product name	Light distribution	Delivered lumens
LL2031.511-US	KREIS	[SYM] 100°	5287 - 5737 lm
LL2039.517-US	KREIS C	[SYM] 97x102°	3465 - 4046 lm



[SYM]
Symmetric

LL2031.511



LL2039.517





NORMA

Graceful and Durable Light Column Collection



The NORMA family, characterized by its square frame and complementing bollard options, offers a dependable solution for contemporary architectural projects.

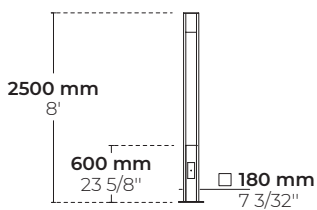
- Reduced glare achieved through a hidden light source.
- Four-way light distribution effectively illuminates areas and pathways, imparting a unique effect.
- Various height options and matching bollards to enhance high-end architectural projects.
- Minimalistic design seamlessly integrates with diverse architectural styles.
- Easy installation and maintenance add to the practicality of the NORMA family.

Product code	Product name	Light distribution	Delivered lumens
LB6055.510-US	NORMA	[SYM-4L] 120°	1148 - 2500 lm
LB6056.510-US	NORMA L	[SYM-4L] 120°	2231 - 3653 lm

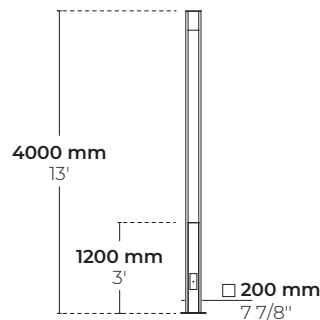


[SYM-4L]
Symmetric, Special
effect: 4 lines

LB6055.510



LB6056.510





POLSO

Sophisticated and Robust Light Column Collection



The POLSO family, featuring a circular frame and complementing bollard options, stands as a dependable choice for contemporary architectural projects.

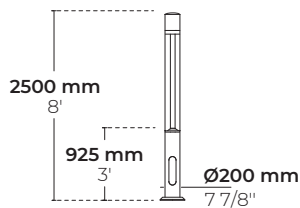
- Equipped with an LED light source for efficiency.
- Reduced glare with a recessed light source.
- Three-way light distribution effectively illuminates areas and pathways, creating a distinctive effect.
- Various height options and matching bollards enhance high-end architectural projects.
- Minimalistic design seamlessly blends with various architectural styles.

Product code	Product name	Light distribution	Delivered lumens
LB6052.509-US	POLSO	[SYM-3L] 38x117°	872 - 1900 lm
LB6053.509-US	POLSO L	[SYM-3L] 38x117°	1569 - 2600 lm

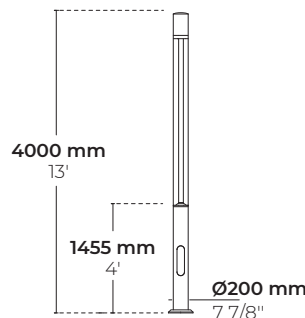


[SYM-3L]
Symmetric, Special
effect: 3 lines

LB6052.509



LB6053.509





PRIFMA

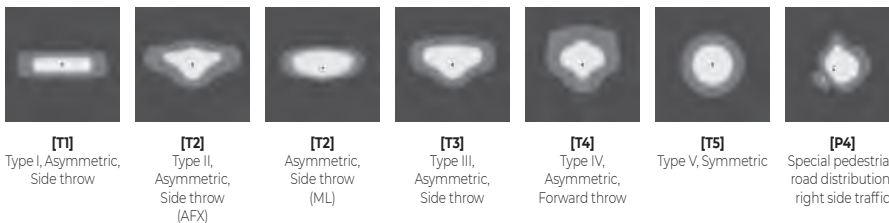
Versatile and Stylish
Light Column Series



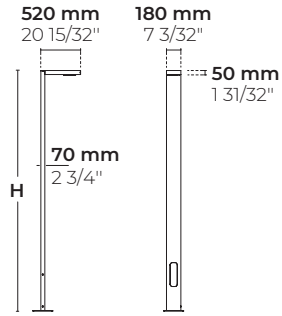
PRIFMA distinguishes itself in contemporary architectural projects with its clean lines, flexible optics, and modular structure.

- Equipped with HEPER's patented Milestone (ML) or AreaFlex (AFX) module.
- Reduced glare achieved through a hidden light source (ML).
- Indirect lighting facilitated by reflector technology.
- Flexible light distribution options ranging from Type I through Type V (AFX).
- Uniform lighting distribution through multifaceted reflectors (ML).
- Double layout configuration for enhanced flexibility.
- Superior thermal management with upward-aligned LED chips (ML).
- Easy installation and maintenance with a modular structure.

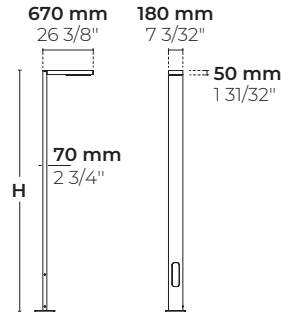
Product code	Product name	Light distribution	Delivered lumens
LL2042.681-US	PRIFMA ML EVO 1 Module	[T2] 130x85°	2909 - 3678 lm
LL2042.682-US	PRIFMA ML EVO 2 Module	[T2] 130x85°	5819 - 7357 lm
LL2044.681-US	PRIFMA ML EVO 1 Module Duo	[T2] 130x85°	5819 - 7357 lm
LL2044.682-US	PRIFMA ML EVO 2 Module Duo	[T2] 130x85°	11643 - 14714 lm
LL2042.861-US	PRIFMA AFX 1 Module	[P4] 20x78°, [T1] 111x48°, [T2] 133x48°, [T2-2] 149x54°, [T3] 143x63°, [T4] 117x64°, [T5] 117°	1975 - 4540 lm
LL2042.862-US	PRIFMA AFX 2 Module	[P4] 20x78°, [T1] 111x48°, [T2] 133x48°, [T2-2] 149x54°, [T3] 143x63°, [T4] 117x64°, [T5] 117°	3785 - 9085 lm
LL2042.863-US	PRIFMA AFX 3 Module	[P4] 20x78°, [T1] 111x48°, [T2] 133x48°, [T2-2] 149x54°, [T3] 143x63°, [T4] 117x64°, [T5] 117°	5675 - 13800 lm
LL2044.861-US	PRIFMA AFX 1 Module Duo	[P4] 20x78°, [T1] 111x48°, [T2] 133x48°, [T2-2] 149x54°, [T3] 143x63°, [T4] 117x64°, [T5] 117°	3785 - 9155 lm
LL2044.862-US	PRIFMA AFX 2 Module Duo	[P4] 20x78°, [T1] 111x48°, [T2] 133x48°, [T2-2] 149x54°, [T3] 143x63°, [T4] 117x64°, [T5] 117°	7565 - 18625 lm



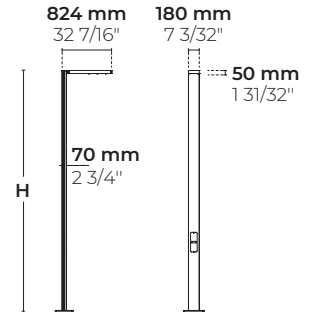
LL2042.681 / LL2042.861



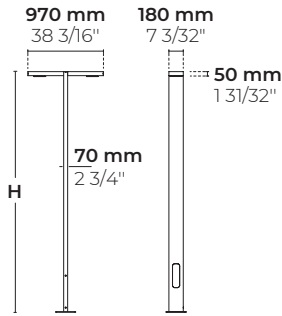
LL2042.682 / LL2042.862



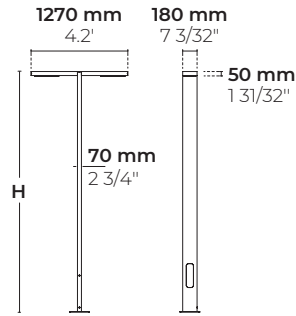
LL2042.863



LL2044.681 / LL2044.861



LL2044.682 / LL2044.862







RHINO

Adaptable and Versatile Pole-Mounted Collection



RHINO is a standout choice for area and architectural lighting applications, offering flexible mounting options and diverse optics.

- Equipped with HEPER's patented Milestone (ML), AreaFlex (AFX), or Hybrid (HYB) module.
- Reduced glare through a concealed light source (ML).
- Flexible light distribution options from Type I through Type V (AFX).
- Varied options for different types of optics, allowing customization.
- Indirect lighting achieved through reflector technology (ML).
- Uniform lighting distribution through multifaceted reflectors (ML).
- Angle-adjustable head for adaptable illumination.
- Versatile for various types of applications.
- Easy installation and maintenance facilitated by a modular structure.

Product code	Product name	Light distribution	Delivered lumens
LL2028.861-US	RHINO AFX 1 Module	[P4] 20x78°, [T1] 111x48°, [T2] 133x48°, [T2-2] 149x54°, [T3] 143x63°, [T4] 117x64°, [T5] 117°	1975 - 4540 lm
LL2028.671-US	RHINO ML 1 Module	[T2] 130x85°	2909 - 3678 lm
LL2028.694-US	RHINO Floodlight	[M] 60°, [MN] 42°, [N] 26°, [S] 7°	1008 - 2981 lm

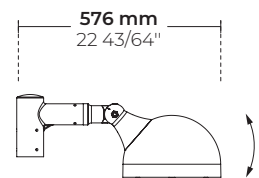
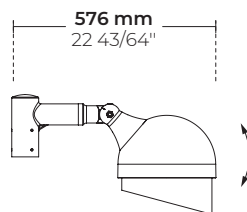
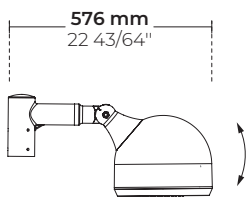


[S] Spot
 [N] Narrow
 [MN] Medium narrow
 [M] Medium
 [T1] Type I, Asymmetric, Side throw
 [T2] Type II, Asymmetric, Side throw (AFX)
 [T2] Asymmetric, Side throw (ML)
 [T3] Type III, Asymmetric, Side throw
 [T4] Type IV, Asymmetric, Forward throw
 [T5] Type V, Symmetric
 [P4] Special pedestrian road distribution-right side traffic

LL2028.671

LL2028.694

LL2028.861





RHINO





TERRA

High-Performing Pole-Top
Family with Familiar Design



TERRA stands out as a lighting solution for modern cities, parks, and open spaces, offering a blend of traditional and contemporary aesthetics along with reliable optics.

- Equipped with durable high-power LEDs.
- Reduced glare with top diffused glass.
- Uniform lighting distribution available in symmetric and asymmetric options.
- Easy installation and maintenance for convenience.

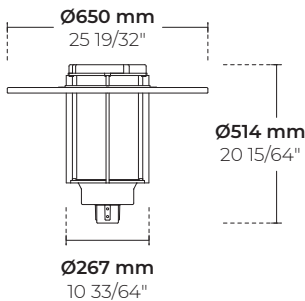
Product code	Product name	Light distribution	Delivered lumens
LP4024.539-US	TERRA	[SYM-LE] 133°	4733 - 5613 lm
LP4024.537-US	TERRA Asym	[ASYM-LE] 107x109°	2366 - 2808 lm



[ASYM-LE]
Asymmetric,
Special effect: Leaf

[SYM-LE]
Symmetric,
Special effect: Leaf

LP4024.539





URBAN UNITS

A Light Column Family
Redefining Urban Life



Mix-and-match type lighting and smart components modules achieve endless possibilities for URBAN UNITS family.

- 360° rotatable mix-match type light and connectivity modules.
- Scalable and expandable product family.
- Easy installation and maintenance with modular structure.
- Standby solution for complete smart city applications.
- A versatile solution for comprehensive smart city applications.

Product code	Product name	Light distribution	Delivered lumens
LP4053.514-US	URBAN UNITS Street Lighting Module	[T2] 137x28°	2940 - 3488 lm
LP4053.695-US	URBAN UNITS Adjustable Floodlight Module	[N] 26°, [S] 7°	3355 - 4076 lm
LP4054.843-US	URBAN UNITS V3 Top Module, 180°, 2 Module	[ASYM] 102x45°	2046 - 2505 lm
LP4054.844-US	URBAN UNITS V3 Top Module, 360°, 2 Module	[SYM] 118°	4035 - 4940 lm
LP4054.845-US	URBAN UNITS V3 Top Module, 180°, 3 Module	[ASYM] 121x40°	3431 - 4128 lm
LP4054.846-US	URBAN UNITS V3 Top Module, 360°, 3 Module	[SYM] 118°	6140 - 7515 lm
LP4054.847-US	URBAN UNITS V3 Top Module, 180°, 4 Module	[ASYM] 121x40°	4176 - 5112 lm
LP4054.848-US	URBAN UNITS V3 Top Module, 360°, 4 Module	[SYM] 122°	8282 - 10139 lm

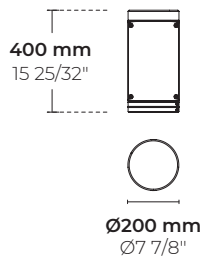


[S] Spot
[N] Narrow
[T2] Type II, Asymmetric, Side throw
[SYM] Symmetric
[ASYM] Asymmetric

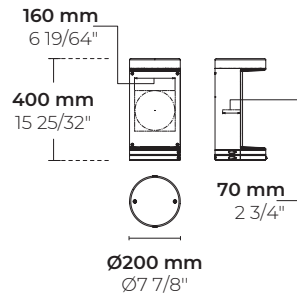


LP4053.903-US WiFi Module LP4053.902-US Speaker Module LP4053.901-US Camera Module

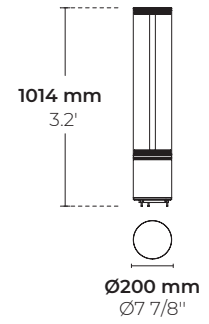
LP4053.514 / LP4053.695



LP4053.901 / LP4053.902
LP4053.903



LP4054.843 / LP4054.844
LP4054.845 / LP4054.846
LP4054.847 / LP4054.848

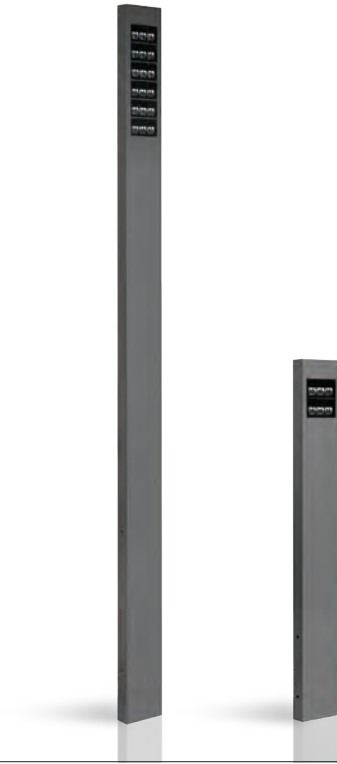






VERTEX

Practical and Stylish Light Column Collection



VERTEX offers uniform light distribution through innovative reflector technology and minimizes glare with a concealed light source.

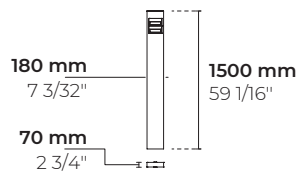
- Equipped with HEPER's Dyno (DYN) module.
- Superior glare management achieved through a hidden light source.
- Uniform light distribution using advanced reflector technology.
- Various height options and matching bollards for high-end architectural projects.
- Minimalistic design seamlessly blending with diverse architectural styles.
- Modular structure for seamless integration and easy customization.

Product code	Product name	Light distribution	Delivered lumens
LB6064.592-US	VERTEX 2 Module	[SLFB] 144x41°	846 - 945 lm
LB6064.596-US	VERTEX 6 Module	[SLFB] 144x41°	2538 - 2835 lm

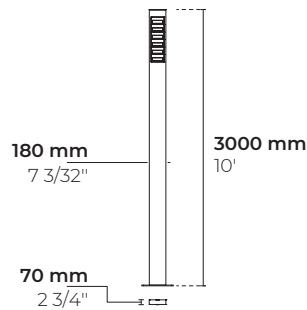


[SLFB]
Special linear,
Forward throw

LB6064.592



LB6064.596







Light Pole
+
Post-Top

-
- DOMINO
 - KREIS
 - NORMA
 - POLSO
 - PRIFMA
 - RHINO
 - TERRA
 - URBAN UNITS
 - VERTEX

Bollard
+
Handrail

-
- DOMINI
 - DRAGO
 - LIA
 - NORMA
 - POLSO
 - TRIAN
 - VERTEX
 - HANDRA



Flood
+
In-Ground

PUNTO
VEGA
PINA
XEROX
ZETA

Surface
+
Wall

DOGO
DOMINO W
PINA W
PUNTO W
VEGA S W

DOMINI

Sturdy and Trustworthy Bollard Collection



The DOMINI family stands out for illuminating pathways, landscaped areas, and public spaces with advanced optics and robust characteristics.

- Equipped with HEPER's AreaFlex (AFX) module.
- Flexible light distribution options ranging from Type I through Type V (AFX).
- Simple design that seamlessly blends with various architectural styles.
- Single or double head layout options for versatility.

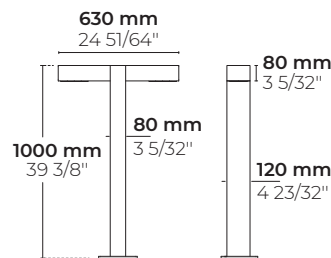
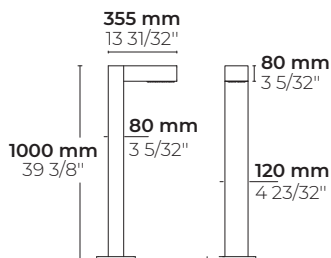
Product code	Product name	Light distribution	Delivered lumens
LB6047.871-US	DOMINI AFX MIDI 1 Module	[T1] 110x45°, [T2-2] 134x52°, [T3] 131x60°, [T4] 114x65°, [T5] 115°	944 - 2272 lm
LB6047.872-US	DOMINI AFX MIDI 1 Module Duo	[T1] 110x45°, [T2-2] 134x52°, [T3] 131x60°, [T4] 114x65°, [T5] 115°	1887 - 4544 lm



[T1] Type I, Asymmetric, Side throw
 [T2] Type II, Asymmetric, Side throw
 [T3] Type III, Asymmetric, Side throw
 [T4] Type IV, Asymmetric, Forward throw
 [T5] Type V, Symmetric

LB6047.871

LB6047.872









DRAGO

Sleek and Fascinating
Bollard Family



Clean lines, diverse light distribution options, and striking optics make the DRAGO family a standout choice for illuminating pathways, landscaped areas, and various public spaces.

- Equipped with HEPER's Dyno (DYN) module or high efficiency LED chips with flexible lens optics.
- 1 to 6 light distribution ratio with no uplight (DYN).
- Minimized glare with hidden light source.
- Indirect lighting with reflector technology.
- Optimized linear forward or side throw options with full cut-off and minimized stray light.
- Motion sensor & emergency kit options.

Product code	Product name	Light distribution	Delivered lumens
LB6048.575-US	DRAGO Forward	[SLFB] 65x70°	721 - 2100 lm
LB6048.585-US	DRAGO Side	[SLSB] 145x45°	360 - 1050 lm
LB6068.570-US	DRAGO Forward Duo	[SLFB] 65x70°	1442 - 4200 lm
LB6068.571-US	DRAGO Side Duo	[SLSB] 145x45°	720 - 2100 lm
LB7035.575-US	DRAGO Ex Forward	[SLFB] 65x70°	721 - 2100 lm
LB7035.585-US	DRAGO Ex Side	[SLSB] 145x45°	360 - 1050 lm
LB6048.910-US	DRAGO 8 LED	[T3] 144x57°	709 - 808 lm



[SLFB]
Special linear,
Forward throw

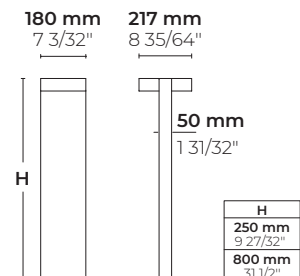
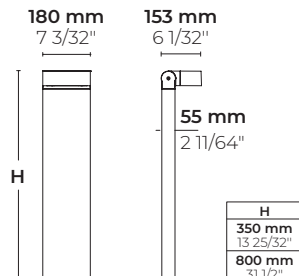
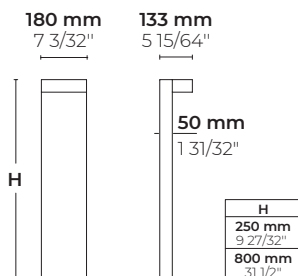
[SLSB]
Special linear,
Side throw

[T3]
Type III,
Asymmetric,
Side throw

LB6048.575 / LB6048.585
LB6048.910

LB7035.575 / LB7035.585

LB6068.570 / LB6068.571









LIA

Distinctive Bollard with Unique Reflective Features

LIA stands out for illuminating pathways, landscaped areas, and public spaces with its square form factor, distinctive light effects, and robust build.

- Equipped with a high-efficiency and long-lasting LED light source.
- Blends a traditional appearance with modern LED lighting solutions.
- Optimized symmetrical uniform light distribution with a unique effect.
- Minimalistic design seamlessly integrating with various architectural styles.
- Features a sophisticated and decorative pattern on all four sides.
- Easy installation and maintenance for user convenience.

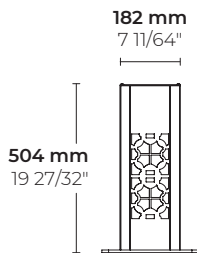


Product code	Product name	Light distribution	Delivered lumens
LB6059.599-US	LIA	[SYM-4L] 50°	256 - 582 lm



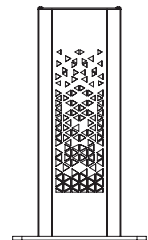
[SYM-4L]
Symmetric, 360°,
Special effect:
4 lines

LB6059.599



Custom pattern

Please share your custom pattern needs with the project requirements. We can offer solutions that contribute to any type of urban, landscape, or architectural lighting application while maintaining aesthetic appeal.





NORMA

A Graceful
and Robust Bollard



The NORMA bollard, characterized by its square frame, complementing column options, and four-way light distribution, stands as a reliable choice for pathways, landscaped areas, and public spaces.

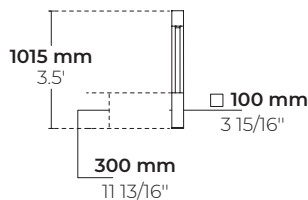
- Reduced glare with a hidden light source.
- Four-way light distribution effectively illuminates areas and pathways, adding a unique effect.
- Various height options and matching columns for high-end architectural projects.
- Minimalistic design seamlessly blending with various architectural styles.
- Easy installation and maintenance for user convenience.

Product code	Product name	Light distribution	Delivered lumens
LB6054.693-US	NORMA S	[SYM-4L] 120°	199 - 432 lm



[SYM-4L]
Symmetric,
Special effect:
4 lines

LB6054.693





POLSO

A Sophisticated
and Robust Bollard



The POLSO bollard, featuring a round frame, matching column options, and three-way light distribution, is a reliable choice for pathways, landscaped areas, and public spaces.

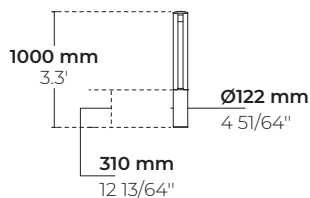
- Reduced glare with a recessed light source.
- Three-way light distribution effectively illuminates areas and pathways, adding a unique effect.
- Various height options and matching columns to complement high-end architectural projects.
- Minimalistic design seamlessly blending with various architectural styles.

Product code	Product name	Light distribution	Delivered lumens
LB6051.693-US	POLSO S	[SYM-3L] 38x117°	230 - 500 lm



[SYM-3L]
Symmetric,
Special effect:
3 lines

LB6051.693





TRIAN

Modern and Expandable
Bollard Collection



TRIAN distinguishes itself in illuminating pathways, landscaped areas, and public spaces with its eye-catching design and unique optics.

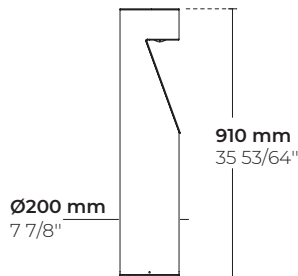
- Equipped with HEPER's Dyno (DYN) module.
- Reduced glare through a hidden light source.
- Optimized linear forward light distribution with full cut-off and minimized stray light.
- Easy installation and maintenance.
- Modern and elegant design, creating a unique touch in exterior applications.

Product code	Product name	Light distribution	Delivered lumens
LB6020.546-US	TRIAN	[SLFB] 120x47°	138 - 159 lm
LB6042.545-US	TRIAN S	[SLFB] 120x47°	69 - 79 lm

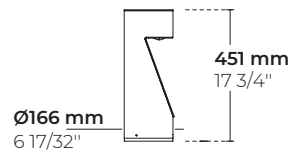


[SLFB]
Special linear,
Forward throw

LB6020.546



LB6042.545





VERTEX

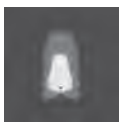
Functional and Sleek Bollard Family

The VERTEX family stands out in illuminating pathways, landscaped areas, and public spaces with its modular structure, precise optics, and minimalist design.

- Equipped with HEPER's Dyno (DYN) module.
- Superior glare management achieved through a hidden light source.
- Indirect lighting facilitated by reflector technology.
- Easy installation and maintenance with a modular structure.

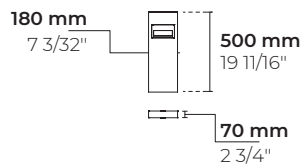


Product code	Product name	Light distribution	Delivered lumens
LB6064.591-US	VERTEX 1 Module	[SLFB] 144x41°	423 - 473 lm



[SLFB]
Special linear,
Forward throw

LB6064.591





HANDRA

An Exceptional Handrail Luminaire Series



The HANDRA family is the ideal choice for both new and retrofit handrail lighting applications, offering uniform light distribution and easy installation capabilities.

- Equipped with HEPER's Dyno (DYN) module.
- Reduced glare with a hidden light source.
- Indirect lighting achieved through reflector technology.
- Asymmetric forward or side uniform light distribution.
- Vandal-resistant compact design.
- Retrofit ready for standard dimension handrails.
- Easy installation and maintenance facilitated by a smart wiring system.

Product code	Product name	Light distribution	Delivered lumens
LH5004.595-US	HANDRA Forward - Ø48 mm	[SLFH] 44x46°	87 - 100 lm
LH5005.595-US	HANDRA Side - Ø48 mm	[SLSH] 42x54°	40 - 48 lm
LH5006.595-US	HANDRA Forward - Ø60 mm	[SLFH] 44x46°	87 - 100 lm
LH5007.595-US	HANDRA Side - Ø60 mm	[SLSH] 42x54°	40 - 48 lm

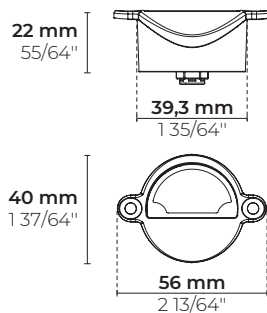


[SLFH]
Special linear,
Forward throw

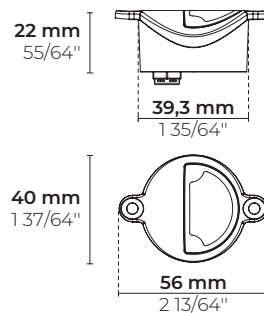


[SLSH]
Special linear,
Side throw

LH5004.595 / LH5006.595



LH5005.595 / LH5007.595





HANDRA







Light Pole
+
Post-Top

-
- DOMINO
 - KREIS
 - NORMA
 - POLSO
 - PRIFMA
 - RHINO
 - TERRA
 - URBAN UNITS
 - VERTEX

Bollard
+
Handrail

-
- DOMINI
 - DRAGO
 - LIA
 - NORMA
 - POLSO
 - TRIAN
 - VERTEX
 - HANDRA



Flood
+
In-Ground

PUNTO
VEGA
PINA
XEROX
ZETA

Surface
+
Wall

DOGO
DOMINO W
PINA W
PUNTO W
VEGA S W

PUNTO

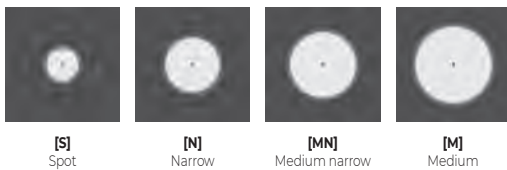
Flexible and Reliable
Floodlight Family

The PUNTO family, with its round form factor, advanced optics for precise beam control, and robust build, excels at accentuating architectural details in high-end projects.

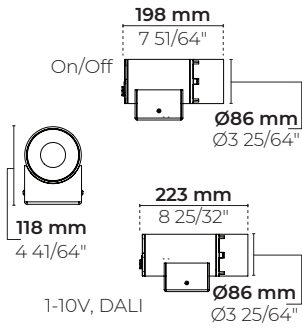
- Equipped with HEPER's Hybrid (HYB) module [S] [N].
- Offers four different light distribution options, ranging from very narrow to wide.
- Well-defined beam angles achieved through a combination of reflector and lens (HYB).
- +60°/-30° vertically adjustable with an aim locking set screw for fine-tuning.
- Available in different sizes and lumen packages to cater to various project requirements.



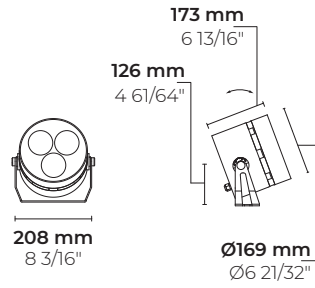
Product code	Product name	Light distribution	Delivered lumens
LF8017.693-US	PUNTO S	[M] 60°, [MN] 42°, [N] 26°, [S] 7°	606 - 1019 lm
LF8018.694-US	PUNTO	[M] 60°, [MN] 42°, [N] 26°, [S] 7°	1767 - 2981 lm
LF8019.698-US	PUNTO L	[M] 60°, [MN] 42°, [N] 26°, [S] 7°	4242 - 7060 lm
LF8030.693-US	PUNTO S Ex	[M] 60°, [MN] 42°, [N] 26°, [S] 7°	606 - 1019 lm



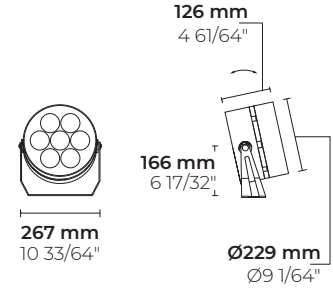
LF8017.693



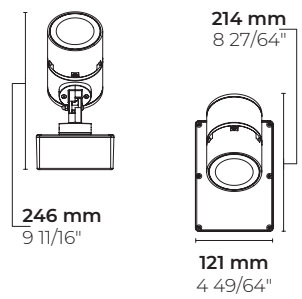
LF8018.694



LF8019.698



LF8030.693







VEGA

Versatile and Trustworthy Floodlight Series

The VEGA family, distinguished by its square form factor, advanced optics for precise beam control, and sturdy construction, is designed to accentuate architectural details in high-end projects.



- Equipped with HEPER's Hybrid (HYB) module [S] [N].
- Offers four different light distribution options, ranging from very narrow to wide.
- Well-defined beam angles achieved through a combination of reflector and lens (HYB).
- +60°/-30° vertically adjustable with an aim locking set screw for fine-tuning.
- Available in different sizes and lumen packages to meet diverse project requirements.

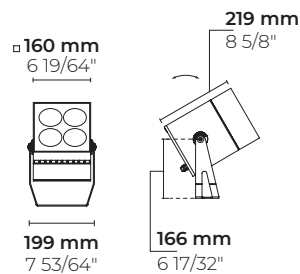
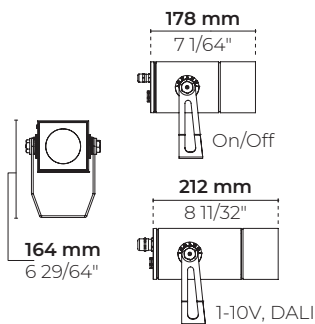
Product code	Product name	Light distribution	Delivered lumens
LF8020.693-US	VEGA S	[M] 60°, [MN] 42°, [N] 26°, [S] 7°	606 - 1019 lm
LF8021.695-US	VEGA	[M] 60°, [MN] 42°, [N] 26°, [S] 7°	2430 - 3976 lm



[S] Spot [N] Narrow [MN] Medium narrow [M] Medium

LF8020.693

LF8021.695





PINA F

Straightforward and
Practical Floodlight Series



The PINA F stands out for lighting applications in landscaped areas, thanks to its small form factor and flexible optics.

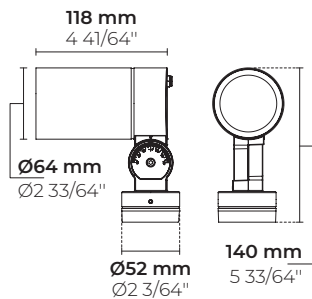
- Equipped with GU10 LED light source.
- Offers up to 4 different beam angles, ranging from very narrow to medium.
- +45°/-45° vertically adjustable with an aim locking set screw for precise fine-tuning.
- Easy installation and maintenance.
- Surface mountable via a stationary base or optional spike.

Product code	Product name	Light distribution	Delivered lumens
LF8033.003-US	PINA Flood	[M] 60°, [MN] 36°, [N] 25°, [VN] 10°	368 - 410 lm



[VN] Very narrow **[N]** Narrow **[MN]** Medium narrow **[M]** Medium

LF8033.003





ZEROX

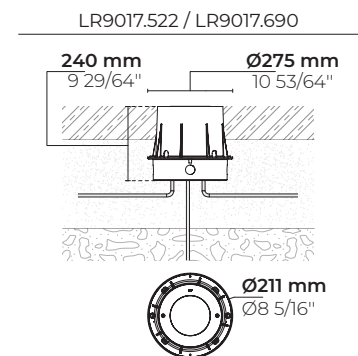
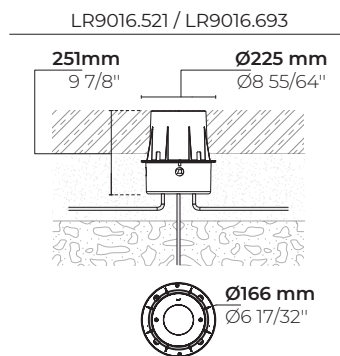
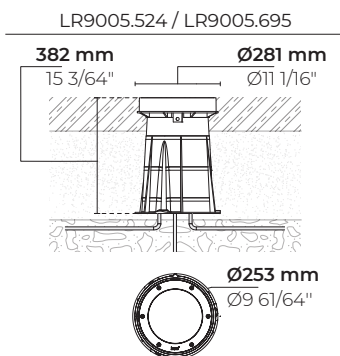
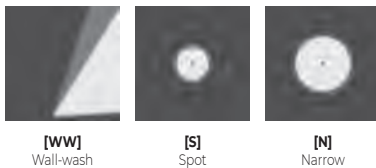
Durable In-ground Collection
with Remarkable Optics



The ZEROX family stands out for uplighting, facade washing, and grazing applications in high-end architectural projects, offering multiple sizes, versatile light distribution options, and robust characteristics.

- 1 to 6 light distribution ratio with a uniform wall-wash effect (DYN).
- Equipped with HEPER's Dyno (DYN) or Hybrid (HYB) module.
- Precise beam control achieved through multifaceted reflectors (HYB).
- Superior glare management with hidden light source (DYN).
- Options for extra narrow or medium beam angles (HYB).
- Easy installation with in-ground housing and IP rated connectors.
- Walk-over in-ground luminaires with high light output.

Product code	Product name	Light distribution	Delivered lumens
LR9016.693-US	ZEROX S Hybrid	[N] 26°, [S] 7°	476 - 1019 lm
LR9017.690-US	ZEROX M Hybrid	[N] 26°, [S] 7°	956 - 2038 lm
LR9005.695-US	ZEROX Hybrid	[N] 26°, [S] 7°	1914 - 3215 lm
LR9016.521-US	ZEROX S Dyno	[WW] 46x25°	294 - 345 lm
LR9017.522-US	ZEROX M Dyno	[WW] 35x28°	448 - 525 lm
LR9005.524-US	ZEROX Dyno	[WW] 49x33°	793 - 930 lm





ZETA

Robust In-Ground
Family with Powerful Optics



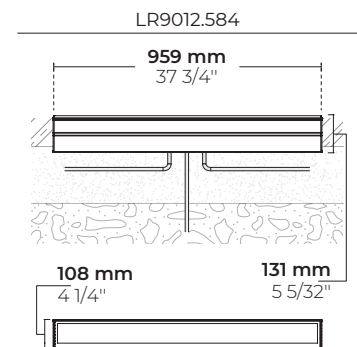
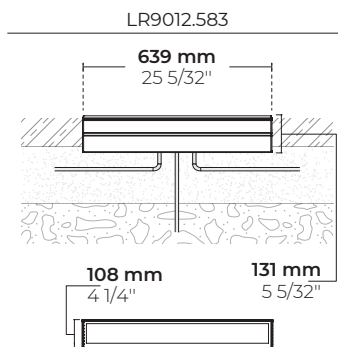
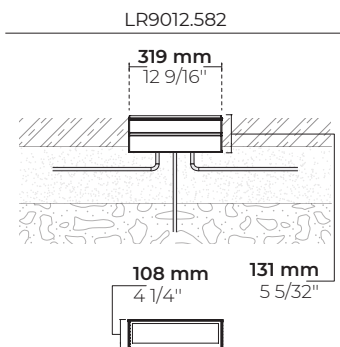
The ZETA family stands out for facade washing applications in high-end architectural projects, offering multiple lengths, highly-uniform light distribution, and robust characteristics.

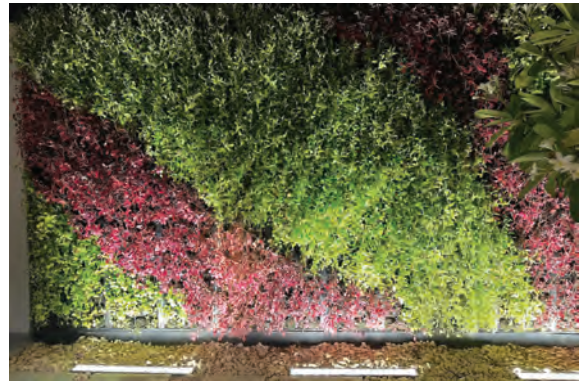
- 1-to-6 light distribution ratio with a uniform wall-wash effect (DYN).
- Equipped with HEPER's Dyno (DYN) module.
- Superior glare management with hidden light source.
- Easy installation with in-ground housing and IP rated connectors.

Product code	Product name	Light distribution	Delivered lumens
LR9012.582-US	ZETA 4 Dyno	[WW] 49x33°	793 - 930 lm
LR9012.583-US	ZETA 8 Dyno	[WW] 45x85°	1592 - 1866 lm
LR9012.584-US	ZETA 12 Dyno	[WW] 45x85°	2388 - 2799 lm



[WW]
Wall-wash







Light Pole
+
Post-Top

-
- DOMINO
 - KREIS
 - NORMA
 - POLSO
 - PRIFMA
 - RHINO
 - TERRA
 - URBAN UNITS
 - VERTEX

Bollard
+
Handrail

-
- DOMINI
 - DRAGO
 - LIA
 - NORMA
 - POLSO
 - TRIAN
 - VERTEX
 - HANDRA



Flood
+
In-Ground

PUNTO
VEGA
PINA
XEROX
ZETA

Surface
+
Wall

DOGO
DOMINO W
PINA W
PUNTO W
VEGA S W

DOGO

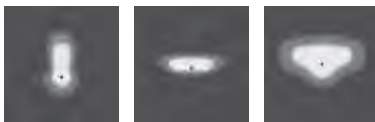
Compact and Distinctive Product Series



The DOGO family stands out for the illumination tasks in contemporary architectural projects, featuring a minimalistic design, small form factor, and impressive optics.

- 1-to-6 light distribution ratio (DYN).
- Equipped with HEPER's Dyno (DYN) module or high-efficiency LED chips with flexible lens optics.
- Reduced glare with hidden light source.
- Indirect lighting with reflector technology.
- Optimized linear forward or side throw options with full cut-off and minimized stray light.
- Motion sensor & emergency kit options for enhanced functionality.

Product code	Product name	Light distribution	Delivered lumens
LW7035.575-US	DOGO Ex Forward	[SLFW] 111x53°	805 - 2256 lm
LW7035.585-US	DOGO Ex Side	[SLSW] 154x55°	496 - 1170 lm
LW6048.910-US	DOGO 8 LED	[T3] 144x57°	709 - 808 lm

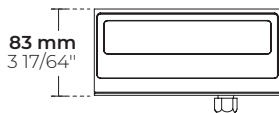
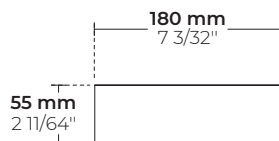


[SLFW]
Special linear,
Forward throw

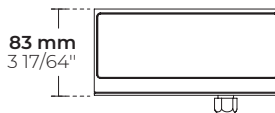
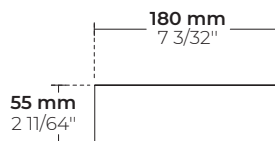
[SLSW]
Special linear,
Side throw

[T3]
Type III,
Asymmetric,
Side throw

LW6048.575 / LW6048.585



LW6048.910









DOMINO W

Durable and Expandable
Product Series



DOMINO W stands out for wall-mounted site lighting applications, featuring strong characteristics, flexible optics, and a modular structure.

- Equipped with HEPER's patented Milestone EVO (ML EVO) or AreaFlex (AFX) module.
- Reduced glare with hidden light source (ML EVO) all on one line.
- Flexible optics provide the ability to offer various light distributions in different output levels (AFX).
- Indirect lighting with reflector technology (ML EVO).
- Easy installation and maintenance with modular structure.

Product code	Product name	Light distribution	Delivered lumens
LW7031.681-US	DOMINO W ML EVO 1 Module	[T2] 130x85°	2909 - 3678 lm
LW7031.682-US	DOMINO W ML EVO 2 Module	[T2] 130x85°	5819 - 7357 lm
LW7031.861-US	DOMINO W AFX 1 Module	[P4] 20x78°, [T1] 111x48°, [T2] 133x48°, [T2-2] 149x54°, [T3] 143x63°, [T4] 117x64°, [T5] 117°	1975 - 4540 lm
LW7031.862-US	DOMINO W AFX 2 Module	[P4] 20x78°, [T1] 111x48°, [T2] 133x48°, [T2-2] 149x54°, [T3] 143x63°, [T4] 117x64°, [T5] 117°	3785 - 9085 lm



[T1]
Type I, Asymmetric,
Side throw

[T2]
Type II,
Asymmetric,
Side throw
(AFX)

[T2]
Asymmetric,
Side throw
(ML)

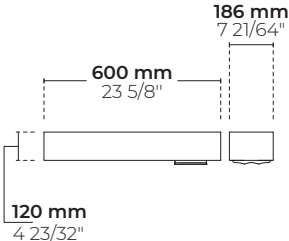
[T3]
Type III,
Asymmetric,
Side throw

[T4]
Type IV,
Asymmetric,
Forward throw

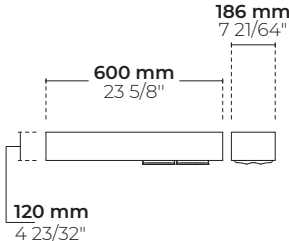
[T5]
Type V, Symmetric

[P4]
Special pedestrian
road distribution-
right side traffic

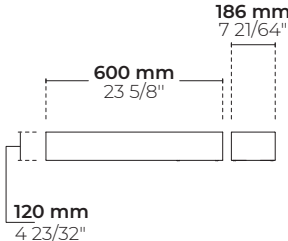
LW7031.681



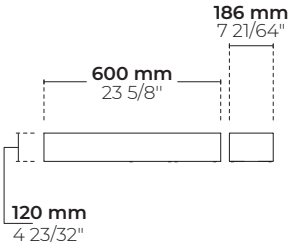
LW7031.682



LW7031.861



LW7031.862



DOMINO W





PINA W

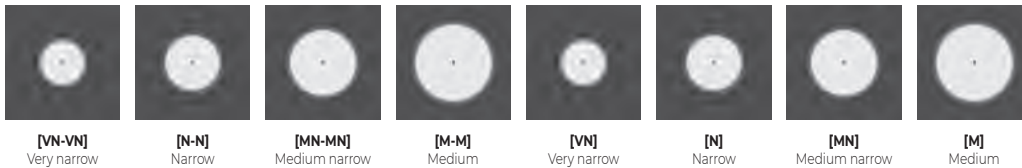
Straightforward and
Practical Product Series



PINA W stands out for highlighting architectural details in modern projects with its small form factor and flexible optics.

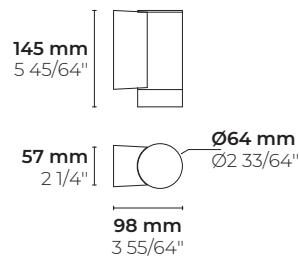
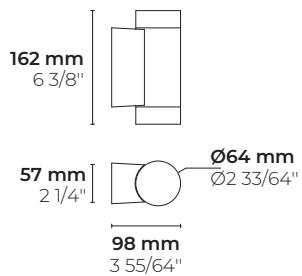
- Equipped with GU10 LED light source.
- Offers 4 different light distribution options, ranging from very narrow to wide.
- Easy installation and maintenance.

Product code	Product name	Light distribution	Delivered lumens
LW8034.003-US	PINA W	[M] 60°, [MN] 36°, [N] 25°, [VN] 10°	368 - 410 lm
LW8033.003-US	PINA W Duo	[M-M] 60°, [MN-MN] 36°, [N-N] 25°, [VN-VN] 10°	735 - 820 lm



LW8033.003

LW8034.003





PUNTO W

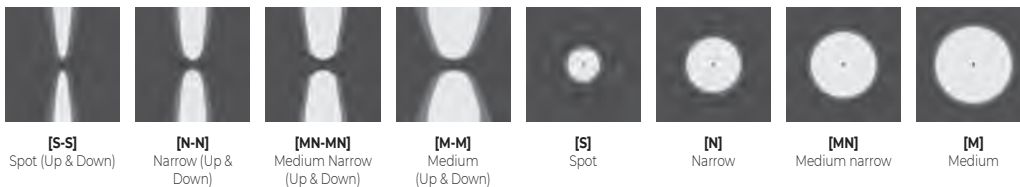
Adaptable and Trustworthy
Product Series



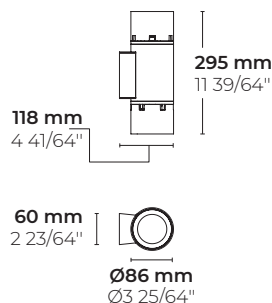
The PUNTO W family stands out for highlighting architectural details in modern projects with its round form factor, advanced optics providing perfect beam control, and durable body.

- Equipped with HEPER's Hybrid (HYB) module [S] [N].
- Offers 4 different light distribution options, ranging from very narrow to wide.
- Well-defined beam angles achieved through a combination of reflector and lens (HYB).
- Easy installation and maintenance.

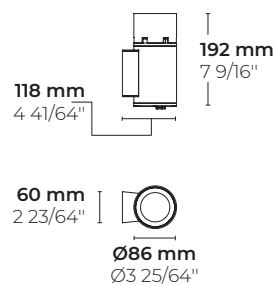
Product code	Product name	Light distribution	Delivered lumens
LW8017.693-US	PUNTO S W	[M] 60°, [MN] 42°, [N] 26°, [S] 7°	606 - 1019 lm
LW7036.519-US	PUNTO S W Duo	[M-M] 60°, [MN-MN] 42°, [N-N] 26°, [S-S] 7°	1204 - 2038 lm



LW7036.519



LW8017.693





VEGA S W

Versatile and Dependable
Product Series



The VEGA S W family is an excellent choice to add subtle touches in modern architectural projects, with its rectangular form factor, advanced optics, and durable body.

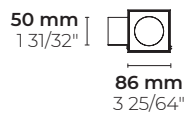
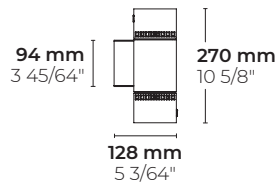
- Equipped with HEPER's Hybrid (HYB) module [S] [N].
- Perfect beam control through multifaceted reflectors (HYB).
- Offers 4 different light distribution options, ranging from very narrow to wide.
- Easy installation and maintenance.

Product code	Product name	Light distribution	Delivered lumens
LW8020.693-US	VEGA S W	[M] 60°, [MN] 42°, [N] 26°, [S] 7°	606 - 1019 lm
LW7037.519-US	VEGA S W Duo	[M-M] 60°, [MN-MN] 42°, [N-N] 26°, [S-S] 7°	1204 - 2038 lm

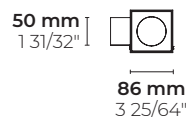
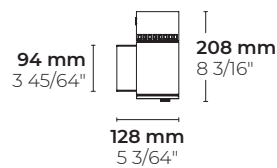


[S-S] Spot (Up & Down) [N-N] Narrow (Up & Down) [MN-MN] Medium Narrow (Up & Down) [M-M] Medium (Up & Down) [S] Spot [N] Narrow [MN] Medium narrow [M] Medium

LW7037.519



LW8020.693





Light Pole + Post-Top + Road Lighting



D-LIGHT

1975 - 22270 lm / 18 - 172 W



DOMINO

1975 - 27420 lm / 18 - 202 W



KREIS

3465 - 5737 lm / 40 - 60 W



LC LUMINAIRE

2945 - 14255 lm / 35 - 137 W



NORMA

1148 - 3653 lm / 19 - 56 W



POLSO

872 - 2600 lm / 15 - 42 W



PRIFMA

1975 - 18625 lm / 18 - 136 W



RHINO

1008 - 4540 lm / 14 - 35 W



TERRA

2366 - 5613 lm / 28 - 52 W

Light Pole + Post-Top



TILA

5819 - 14714 lm / 68 - 137 W



TILA S

1975 - 13800 lm / 18 - 101 W



URBAN UNITS

2046 - 10139 lm / 28 - 103 W



VERTEX

846 - 2835 lm / 15 - 45 W



VLORA

1550 - 3269 lm / 26 - 40 W



WINGS

3785 - 18200 lm / 34 - 137 W



TURA

2436 - 16418 lm / 28 - 136 W

Bollard + Handrail



DOMINI

944 - 4544 lm / 10 - 37 W



DRAGO

360 - 4200 lm / 5 - 40 W



HANDRA

40 - 100 lm / 1 W



LIA

256 - 582 lm / 14 - 29 W



NORMA

199 - 432 lm / 6.5 - 10 W



POLSO

230 - 500 lm / 6.5 - 10 W



TRIAN

69 - 159 lm / 3 - 4 W



TROLI

444 - 541 lm / 10 W



URBAN BOLLARD

1048 - 2457 lm / 15 - 30 W

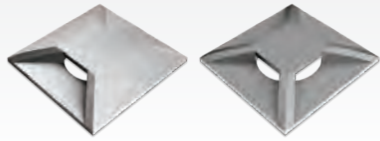
Bollard + Handrail



VERTEX

423 - 473 lm / 8 W

Flood + In-Ground



MINIKA

606 - 7060 lm / 10 - 60 W



MINIMO

606 - 3976 lm / 10 - 35 W



PINA F

368 - 410 lm / 7.5 W



PUNTO

294 - 3215 lm / 4 - 28 W



VEGA

793 - 2799 lm / 10 - 30 W



ZEROX

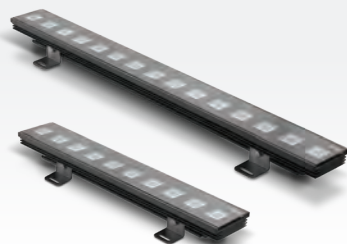
793 - 2799 lm / 10 - 30 W



ZETA

69 - 159 lm / 3 - 4 W

Surface + Wall



AQSA

540 - 6068 lm / 6 - 44 W



DOGO

402 - 2256 lm / 5 - 20 W



DOMINO W

1975 - 9085 lm / 18 - 68 W



PINA W

368 - 820 lm / 7.5 - 15 W



PRIFMA W

1975 - 13800 lm / 18 - 101 W



PUNTO W

606 - 2038 lm / 10 - 18 W



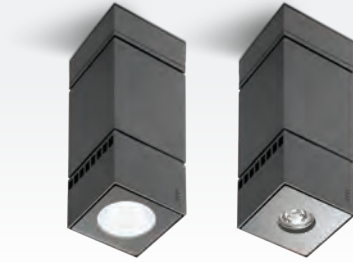
VEGA S W

606 - 2038 lm / 10 - 18 W

Ceiling Mounted



PUNTO C
606 - 1019 lm / 10 W



VEGA C
606 - 1019 lm / 10 W



VERTEX C
423 - 473 lm / 8 W



ALUMINUM POLES

HEPER USA stands out as a top-tier manufacturer of environmentally-conscious aluminum poles, specializing in street and flood lighting applications. Manufactured in HEPER's advanced facility, poles are crafted from eco-friendly, fully-recyclable materials, and boast resilience against harsh weather and environmental challenges. Adopting green solutions in manufacturing, the 100% recyclable aluminum, with no compromise in quality, makes it an exceptionally clean material. Whether your project demands conical, cylindrical, squared, or decorative poles, HEPER USA offers customizable styles tailored to your specific needs. Leveraging their engineering capabilities, HEPER USA

can effortlessly create non-standard columns or extension arms. The production process incorporates cutting-edge technology and rigorous quality control measures, ensuring each pole meets the highest standards and guaranteeing a long lifetime through corrosion resistance, a maintenance-free lightweight structure, and quick installation with low assembly costs. Its aluminum's absorbing feature also enhances road safety. Committed to delivering top-notch products, reliable service, and competitive prices, HEPER USA has established itself as a trusted partner with a proven track record in the light pole industry.



Round tapered aluminum poles (direct burial)

- Designed per requirements of EN40 standards.
- Pole material: Aluminium 6063-T5.



Ø4 1/2" diameter
PABK.D114



Ø4 3/4" diameter
PABK.D122



Ø5 7/8" diameter
PABK.D148



Ø6 1/2" diameter
PABK.D165



Ø7" diameter
PABK.D180



Ø7 7/8" diameter
PABK.D200



Round tapered aluminum poles with base plate

- Designed per requirements of EN40 standards.
- Pole material: Aluminium 6063-T5.



Ø4 1/2" diameter
PAFK.D114



Ø4 3/4" diameter
PAFK.D122



Ø5 7/8" diameter
PAFK.D148



Ø6 1/2" diameter
PAFK.D165



Ø7" diameter
PAFK.D180



Ø7 7/8" diameter
PAFK.D200

Round cylindrical aluminum poles with base plate

- Designed per requirements of EN40 standards.
- Pole material: Aluminium 6063-T5.



Ø4 1/2" diameter
PAFC.D114



Ø4 3/4" diameter
PAFC.D122



Ø5 7/8" diameter
PAFC.D148



Ø6 1/2" diameter
PAFC.D165

Product-specific poles with base plate



Ø7 7/8" URBAN
PAFC.C01.T001



Ø5 29/32" VLORA
PAFC.C02.T001



7 21/64*4 23/32" TILA
PAFD.R01.T001



7 21/64*4 23/32" WINGS
PAFD.R01.T002




7 21/64*4 23/32" DOMINO
PAFD.R01.T003



4 23/32*3 5/32" TILA S
PAFD.R02.T001.T002



7 3/32*2 3/4" PRIFMA
PAFD.R03.T001



Our in-house lighting laboratory provides us with complete oversight of our optical development processes, covering the entire journey from design to validation. We actively engage in luminaire production, taking a hands-on role in the development processes that define the performance and safety attributes of our lighting products. This involvement enables us to enhance the optical, electrical, thermal, and mechanical safety aspects of our luminaires, ensuring their optimal performance.

HEPER light lab is equipped with state-of-the-art devices allowing us to utilize them in our quest to bring out the best product possible. Fully accredited, we can carry out tests in accordance with IEC, EN, and UL standards in the HEPER laboratories.

Lighting Ideas

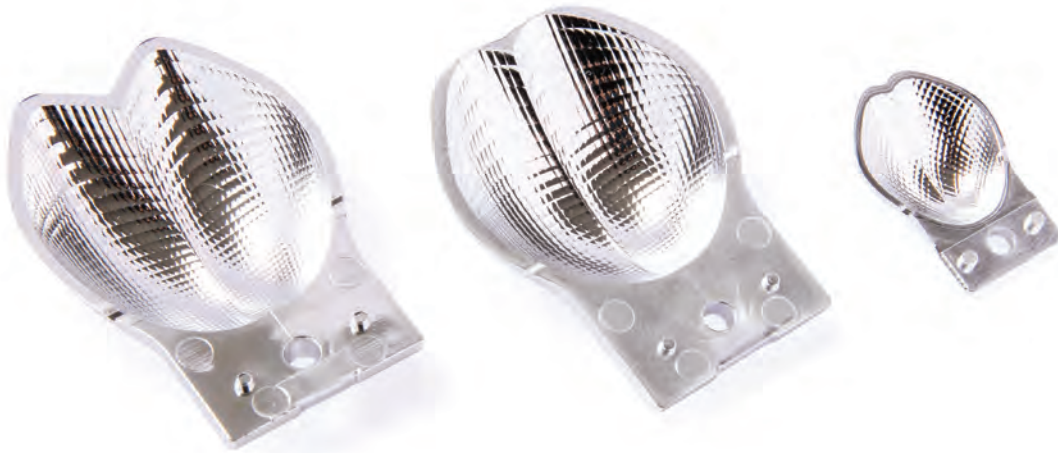
Lighting Ideas Corporation
International Patented Technologies



DYNO

The DYNO optical system, featuring special micro-faceted reflector technology, offers diverse light distribution options with varied sizes based on optical center differences. It guarantees effective longitudinal glare control through optimized cut-off. The forward throw distribution enables light projection at a ratio of 1x distance horizontally and

6x distances vertically. Notably, DYNO is ideal for UV-sensitive environments as it does not emit any UV beams. Beyond its exceptional uniformity and clarity, utilizing the DYNO module for surface washing applications ensures zero glare for intended purposes, thanks to the discreet alignment of the light source.



HYBRID

The HYBRID optical system combines a reflector and lens to achieve precise beam control with multiple beam angles and diverse light distributions. The objective is to maintain effective beam control while minimizing

scattering. By redirecting the light twice, the HYBRID optical system delivers optimized beam and field angles. This technology is exceptionally well-suited for accentuating objects and surface grazing applications.



MILESTONE

HEPER's patented MILESTONE is an advanced module featuring high-power LED chips and versatile reflectors for uniform light distribution and indirect lighting. The reflectors enable MILESTONE to illuminate broader spaces, while the design prevents direct eye contact with the light source, making it effective in glare management. The unique ability to align the chips upwards addresses heat management differently,

facilitating high-performance operation under various conditions. The modular design of the MILESTONE optical system allows for effortless component and module replacement, simplifying maintenance and upgrades. This design approach aligns with our sustainability commitment, extending the life cycle of the system. Our MILESTONE technology is found in our light pole and post-top product lines.



AFX MODULE

HEPER's AreaFlex (AFX) module showcases a highly adaptable lens-based optical technology tailored for intricate lighting projects. AFX meets the demands of diverse lighting scenarios, allowing for varied layouts to uphold optical integrity across projects. The flexible optics of AFX enable the provision of different light distributions at various output levels.

Featuring a modular design, the AFX optical system facilitates straightforward replacement of components and modules. This not only simplifies maintenance and upgrades but also aligns with our sustainability commitment by extending the life cycle of the system. Our AFX technology is found in our light pole and post-top product lines.



HOUSING

The exceptional quality of every HEPER USA product begins with the choice of materials. The housings of our products primarily consist of high corrosion-resistant, marine-grade aluminum. HEPER USA's expertise transforms various aluminum alloys into die-cast and extruded parts, shaping the main body of our lighting fixtures and poles. Aluminum extrusions offer a combination of lightweight, strength, high corrosion resistance, and excellent thermal management. Moreover, aluminum alloys used for extrusion are highly sustainable, as they can be recycled

indefinitely without any degradation in properties.

In addition to aluminum, low copper content stainless steel alloys find application in the housing of HEPER USA products. Stainless steel is an ideal choice for use in severely corrosive environments, particularly for our tunnel and in-ground lighting products. The low carbon content in stainless steel prevents carbon precipitation during the welding process, resulting in a highly corrosion-resistant and durable product tailored for harsh environments.



FINISHING

The finishing stage in the manufacturing process is crucial, influencing both the quality and aesthetics of a product. Over the years, we have refined the finishing processes for HEPER USA products to not only enhance their visual appeal but also to elevate their overall quality. Beyond the 6 standard finish options, most HEPER USA luminaires can be customized with finishes at a minimal additional cost. Our finishing process is a multi-stage procedure designed for optimal finish quality and durability.

The multi-stage coating process begins with the application of Type I (Hexavalent) or Type II (Hex-Free) chromate coating, selected based on the material characteristics of the product. Following this initial stage, electrostatic powder coating is applied, providing the product with its final color and texture. With a range of standard finish options, HEPER USA products are not only visually appealing but also exhibit excellent resistance to abrasion, corrosion, impact, and chemical effects.



GASKETS

Every HEPER USA product is designed to deliver maximum performance regardless of environmental conditions, making achieving high ingress protection ratings one of our primary goals. To accomplish this, we pay meticulous attention to the design of gaskets and carefully select materials. Many HEPER USA products feature EPDM rubber gaskets known for their long-lasting sealing capabilities across a broad temperature range. Additionally, some products incorporate silicone, liquid silicone,

silicone rubber, and liquid gaskets to enhance flexibility.

In terms of impact resistance, HEPER USA products utilize extra-clear tempered safety glasses to ensure high impact resistance without compromising the quality of the light. The diffusers employed contain bio-based polycarbonate enriched with the bisphenol-A component, offering protection against UV rays. These measures collectively contribute to the durability and reliability of HEPER USA lighting products.

LENS & REFLECTORS

The quality of components within the optical systems is a fundamental aspect of high-quality lighting products. HEPER USA products feature reflectors or lenses as their primary optics. Multifaceted reflectors are coated with high-reflectance aluminum,

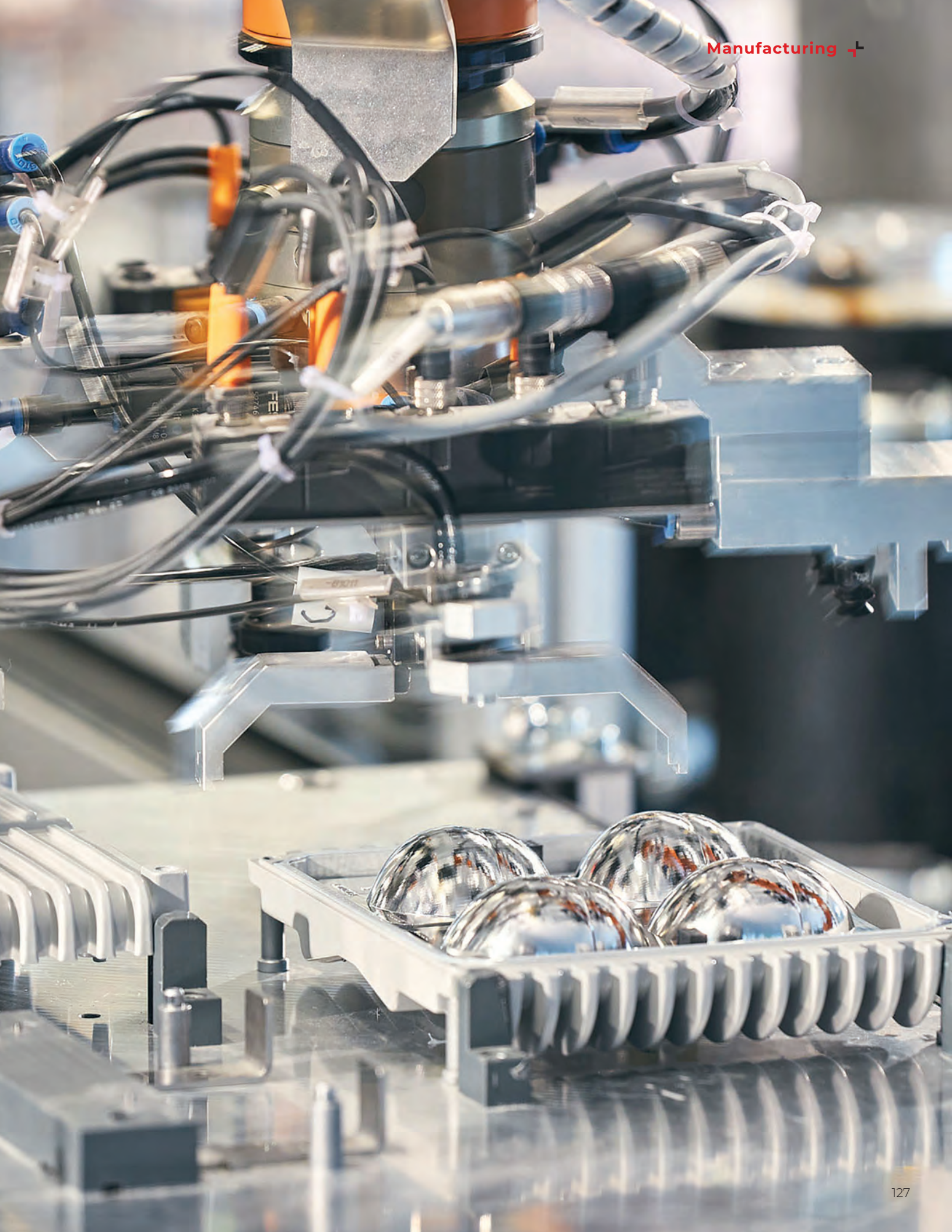
while lenses are crafted from PMMA with high optical efficiency. This meticulous selection of materials ensures that every HEPER USA product is equipped with long-lasting and high-performing optics, contributing to the overall quality of the lighting system.

ELECTRONIC COMPONENTS

HEPER USA products are furnished with the highest quality, certified electrical components to ensure optimal performance and reliability. This includes LED chips known for their superior effectiveness and LED drivers that deliver consistent output even in the face of varying input voltages and temperatures. The LED drivers are equipped with protection circuits to guard against overvoltage and thermal overload, enhancing the overall safety and longevity of the lighting system.

The cables used in HEPER USA products are flexible, halogen-free,

and designed to be resistant to oil and weather, ensuring durability in diverse environmental conditions. Additionally, the inclusion of high IP-rated connectors is crucial, providing protection against dust and high-pressure water jets. These components are specifically chosen to withstand the rigors of harsh outdoor conditions. Furthermore, the fasteners utilized in HEPER USA products are made from stainless steel alloys with exceptional corrosion resistance characteristics, contributing to the longevity and reliability of the fixtures.



HEPER USA products undergo multiple testing methods to ensure products that will withstand the elements that they are installed in. These tests cover aspects such as temperature resistance, climate chamber testing, accelerated aging, light depreciation, corrosion resistance, ingress protection, impact protection, and blue light levels.

**Our in-house laboratory
conduct tests in accordance
with UL1598 and
IEC60598 standards:**

- Photometry Tests (Goniophotometer and light sphere)
- Photobiological Safety Tests
- Climate Chamber Tests
- Thermal Tests
- Ingress Protection Tests
- Impact Protection Tests
- Humidity Chamber Tests
- Aging Tests
- Corrosion Tests

These comprehensive testing procedures ensure that the lighting fixtures meet quality standards, are durable, and safe for use in various environments.









Tradition is not a contradiction

We pride ourselves on striking a harmonious balance between tradition and technological innovation. While we have fully embraced the era of automation, equipped with state-of-the-art facilities and a highly qualified team to cater to your automated needs, we remain steadfast in upholding our traditional values. Our adept and forward-thinking team encourages you to entrust us with your most ambitious projects, where we seamlessly integrate time-honored principles with cutting-edge technologies to bring your visions to fruition.

Let us be part of your solution

Creativity and flexibility are our favorite strengths. We are driven to bring innovative solutions to your project by understanding your need and implementing them in our multifunctional boutique atelier.





Experience is trustworthy

We bridge the past and the future, combining expertise, equipment, and a skilled team to turn your ideas into innovative lighting fixtures. Trust us to select the best methods for a brilliant outcome.



Perfection is the way out

We delicately pay attention to the smallest details and carefully examine each product to make sure your specifications are fully covered.



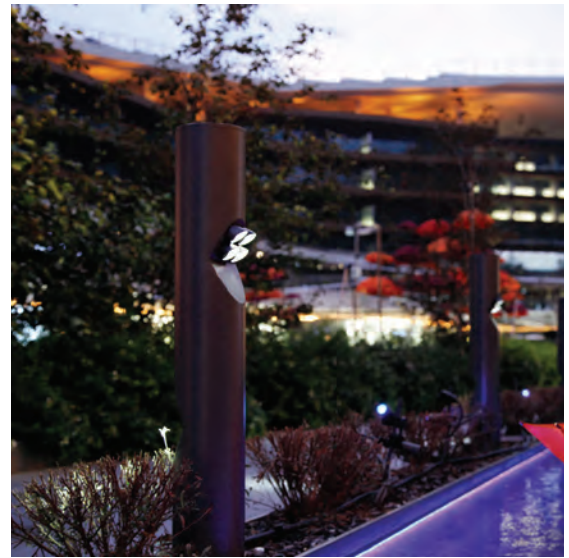
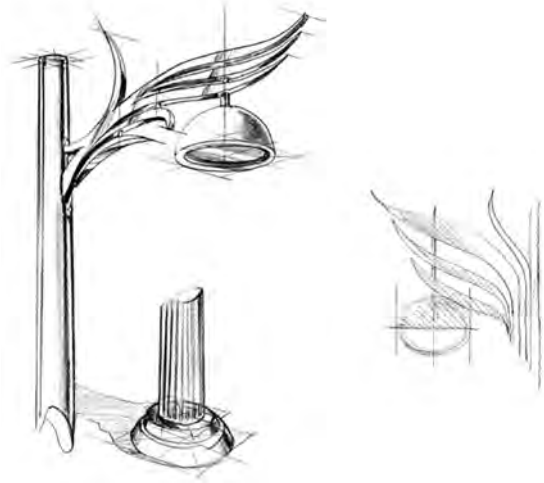
Uniquely yours

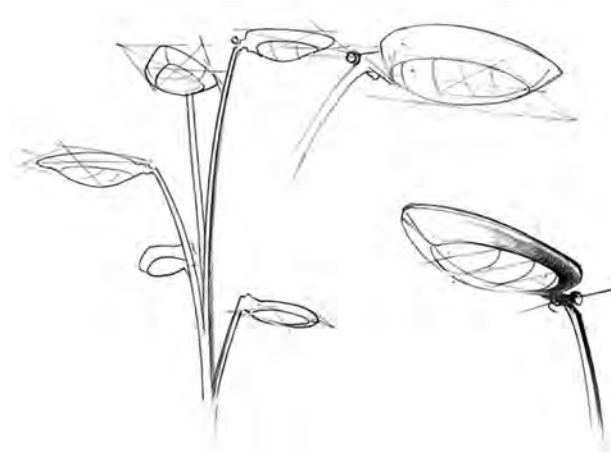
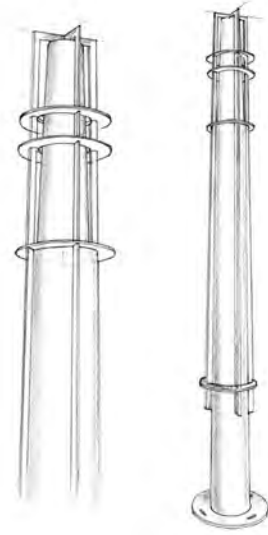
Much like sculptors, we uphold the belief in the distinctiveness of each product. Our skilled artisans infuse their craftsmanship into every stage, culminating in a final product that is finely tuned and possesses its own distinctive character.



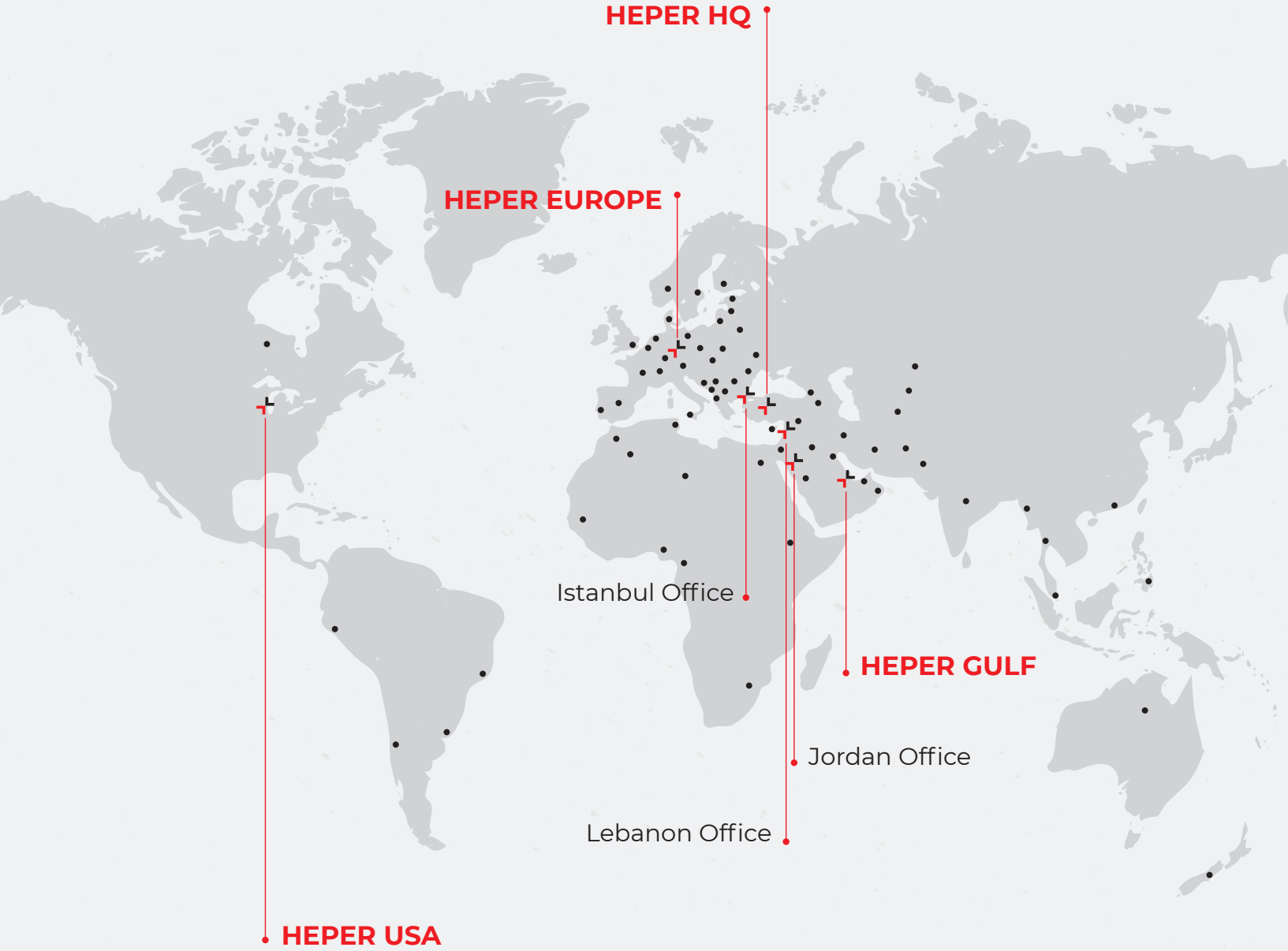
Seek out sophistication

Our advanced technology includes mock up designs that will enable you to consider different aspects before the design process is finalized with an end product. Each step taken through the project will be eased and synchronized to keep you on the right track.





NETWORK



www.heperlighting.com/us



heperlighting.com/us
[linkedin.com/company/heper-usa](https://www.linkedin.com/company/heper-usa)
[instagram.com/heper_usa](https://www.instagram.com/heper_usa)
[thrulight](https://www.thrulight.com)