
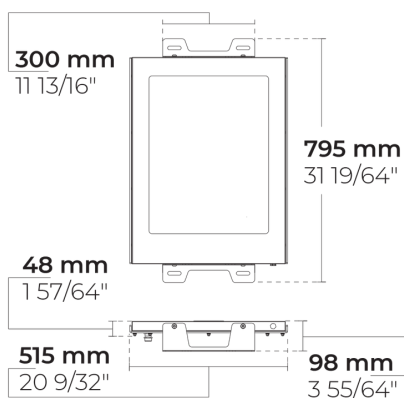
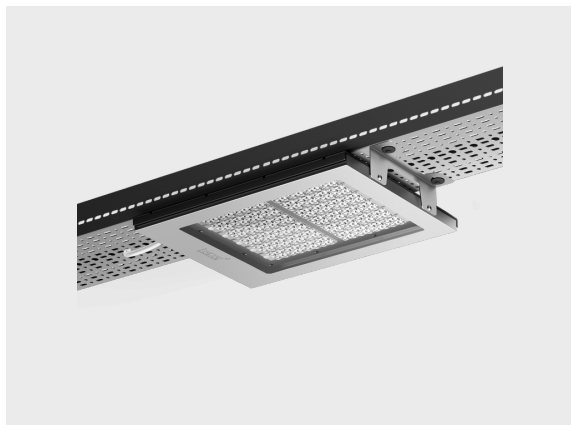


NOX 192 LED

CE UK CA IK10 IP66 



LT1010.770-EN-T-SYM-B-700-740-EN-C1-SS



[T-SYM-B]

Tunnel, Symmetric,
Type B

Variant

Light distribution	[T-SYM-B]
Delivered lumens flux	53040 lm
Rated input power	409 W
Colour temperature	4000 K CRI 70
Luminaire efficacy	129 lm/W
Lamp	192 LED
MacAdam Ellipse	4 SDCM
Lifetime L90B50 (hour)	>102,000
Lifetime L80B50 (hour)	>102,000

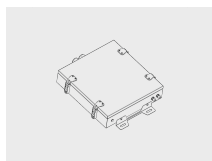
Options

Technical information

Mounting	Standard strap connection.
Housing	Corrosion resistant stainless steel housing (AISI 316 / EN 1.4401 grade) combined with aluminum alloy heatsink
Finishing	Polished stainless steel , anodized aluminum
Fasteners	Stainless steel (AISI 316 / EN 1.4401 grade)
Gasket	EPDM gasket (Shore A 25-30)
Lens / Reflector	PMMA lens with high optical efficiency
Glass / Diffuser	Tempered safety glass
Impact protection	IK10
Ingress protection	IP66
Input voltage	220-240V 50/60Hz
Insulation class	Class I
Weight	13.40 kg
LED module	High power LEDs on metal-core PCB
Driver	External LED driver
Through wiring	Single cable entry
Operating temperature	-40...50°C
Cable	1 m of halogen-free cable

Accessories (To be ordered separately)

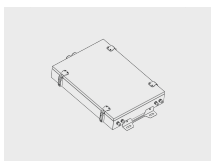
Mounting accessories



**Control gear box
M for NOX family**

007502102

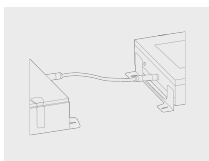
Mounting accessories



**Control gear box L
for NOX family**

007502104


Mounting accessories



**Preassembled
cables and 7-pole
connector set for
NOX**

007502169

Project name		Type		Quantity
Date		Note		
LT1010.770-EN-T-SYM-B-700-740-__-EN-C1-SS-__-__				

Light distribution	Rated input power	Colour temperature	Control	Product colours
[T-SYM-B] Tunnel, Symmetric, Type B	[700] 409 W	[740] 4000 K CRI 70		[SS] Stainless steel 
[T-ASYM-A] Tunnel, Asymmetric, Type A	[500] 290 W	[730] 3000 K CRI 70		
[T-ASYM-B] Tunnel, Asymmetric, Type B	[350] 207 W			
[T-CB-A] Tunnel, Counter beam, Type A				
[T-CB-D] Tunnel, Counter beam, Type D				
[T-CB-E] Tunnel, Counter beam, Type E				
[T-SYM-A] Tunnel, Symmetric, Type A				
Extras	Accessories (To be ordered separately)			
Light output	Mounting accessories			
[CLO] Constant light output	[007502102] Control gear box M for NOX family			
Consult the factory	[007502104] Control gear box L for NOX family			
[C2] Class II	[007502169] Preassembled cables and 7-pole connector set for NOX			
[UNI] 120-277V 50/60Hz				