

REGIO 6 Module

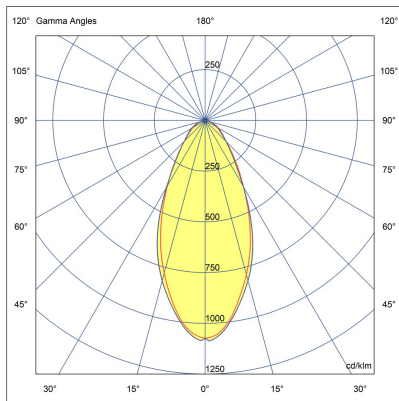
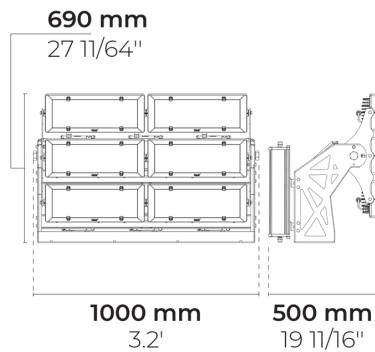
CE UK CA IK08 IP66 



LF8032.526-EN-MN-700-957-EN-C1



PHASED-OUT



[MN]

Medium narrow

Variant

| | |
|-------------------------------|---------------|
| Light distribution | [MN] 30° |
| Delivered lumens flux | 153452 lm |
| Rated input power | 1375 W |
| Colour temperature | 5700 K CRI 90 |
| Luminaire efficacy | 111 lm/W |
| Lamp | 648 LED |
| MacAdam Ellipse | 4 SDCM |
| Lifetime L90B50 (hour) | >102,000 |
| Lifetime L80B50 (hour) | >102,000 |

Options

Technical information




| | |
|--------------------------------|--|
| Mounting | Surface mountable via a bracket |
| Tilt angle | +45°/-45° |
| Housing | Corrosion resistant, marine grade aluminum housing |
| Finishing | Chromate conversion pretreatment followed by electrostatic powder coating |
| Fasteners | Stainless steel (AISI 304 / EN 1.4301 grade) |
| Gasket | Silicone rubber |
| Lens / Reflector | PMMA lens with high optical efficiency |
| Glass / Diffuser | Tempered safety glass |
| Impact protection | IK08 |
| Ingress protection | IP66 |
| Input voltage | 220-240V 50/60Hz |
| Insulation class | Class I |
| Weight | 58.18 kg |
| LED module | High power LEDs on metal-core PCB |
| Driver | External LED driver |
| Driver surge protection | 10/10 kV |
| Power factor | > 0.99 |
| Through wiring | Single cable entry |
| Operating temperature | -40...50°C |
| Cable | 1 m of flexible cable |
| Notes | Please contact the sales department regarding this product's availability. |

HPR Pazarlama A.Ş.
Başkent OSB 22. Cd. No: 2, Malıköy, Temelli,
Sincan, 06909 Ankara, Turkey
+90 312 267 54 30
info@hepergroup.com

HEPER Europe GmbH
Ahornweg 5a, 58675
Hemer, Germany
+49 237 2901 2975
infoEU@hepergroup.com

We reserve the right to change specifications without prior written notice. Edition: 30.06.2024. For current version visit heperlighting.com. All flux (±%7 tolerance) and power values (±%10 tolerance) are derived following appropriate IES, CIE, and applicable standards.

| | | | | | |
|---|--|-------------|--|-----------------|--|
| Project name | | Type | | Quantity | |
| Date | | Note | | | |
| LF8032.526-EN-MN-700-957-__-EN-C1-__-__-__ | | | | | |

| Light distribution | Rated input power | Colour temperature | Control | Product colours |
|---------------------------------------|------------------------|-------------------------------|--------------------------|--|
| [MN] Medium narrow - 30° | [700] 1375 W | [957] 5700 K CRI 90 | [ONOFF] On/Off | [HM3]  Anthracite grey |
| [I] - 26° | | [827] 2700 K CRI 80 | [DALI] DALI | [HM4]  Light grey |
| [EL] Elliptical - 15x40° | | [830] 3000 K CRI 80 | | [CC]  Custom colour (Please specify RAL code) |
| [N] Narrow - 22° | | [740] 4000 K CRI 70 | | |
| [M] Medium - 50° | | [840] 4000 K CRI 80 | | |
| [W] Wide - 111° | | | | |
| Extras | | | | |
| Consult the factory | | | | |
| [UNI] 120-277V 50/60Hz | | | | |
| Luminaire body options | | | | |
| [DPC] Double powder coating | | | | |