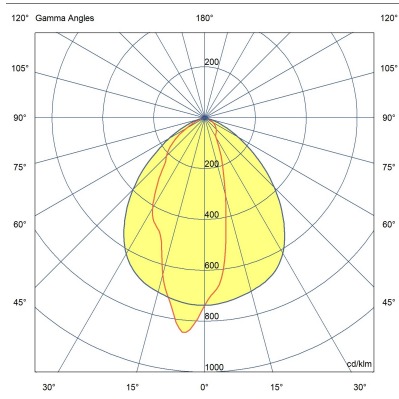
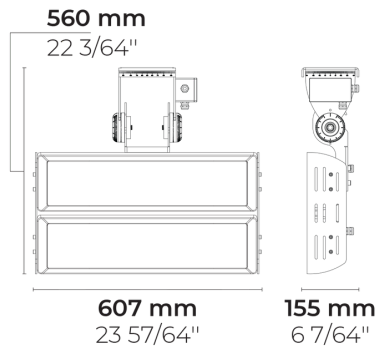


REGIO V2 IN 2 Module

CE UK CA IK08 IP66



LF8039.521-EN-EL-2-2170-740-DALI-EN-C1



[EL-2]
Elliptical

Variant

Light distribution	[EL-2] 35x85°
Delivered lumens flux	115627 lm
Rated input power	780 W
Colour temperature	4000 K CRI 70
Luminaire efficacy	148 lm/W
Lamp	336 LED
MacAdam Ellipse	5 SDCM
Lifetime L90B50 (hour)	>52,000
Lifetime L80B50 (hour)	>52,000

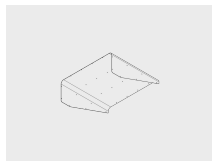
Options

Technical information

Mounting	Direct tray mountable
Tilt angle	90°
Rotation angle	±63°
Housing	Corrosion resistant, die-cast, marine grade aluminum housing
Finishing	Chromate conversion pretreatment followed by electrostatic powder coating
Fasteners	Stainless steel (AISI 304 / EN 1.4301 grade)
Gasket	Silicone
Glass / Diffusor	Tempered safety glass
Impact protection	IK08
Ingress protection	IP66
Input voltage	220-240V 50/60Hz
Insulation class	Class I
Weight	19.0 kg
Driver	External LED driver
Driver surge protection	10/6 kV
Power factor	> 0.99
Through wiring	Single cable entry
Operating temperature	-40...50°C
Cable	1 m of flexible cable

Accessories (To be ordered separately)




Optical accessories



Visor for REGIO V2 2 Module

100139031

Project name		Type		Quantity	
Date		Note			
LF8039.521-EN-EL-2-2170-740-DALI-EN-C1-__-__					

Light distribution	Rated input power	Colour temperature	Control	Product colours
[EL-2] Elliptical - 35x85°	[2170] 780 W	[740] 4000 K CRI 70	[DALI] DALI	[HM3]  Anthracite grey
[MN] Medium narrow - 30°		[827] 2700 K CRI 80 [830] 3000 K CRI 80 [840] 4000 K CRI 80 [957] 5700 K CRI 90		[HM4]  Light grey [CC]  Custom colour (Please specify RAL code)
Extras	Accessories (<i>To be ordered separately</i>)			
Consult the factory	Optical accessories			
[UNI] 120-277V 50/60Hz	[100139031] Visor for REGIO V2 2 Module			