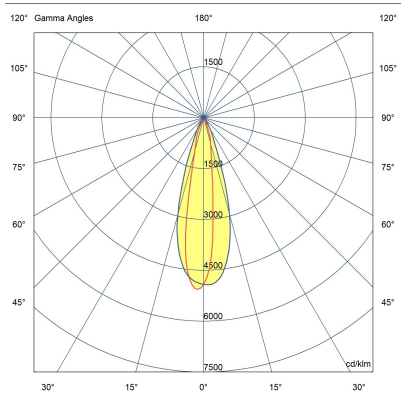
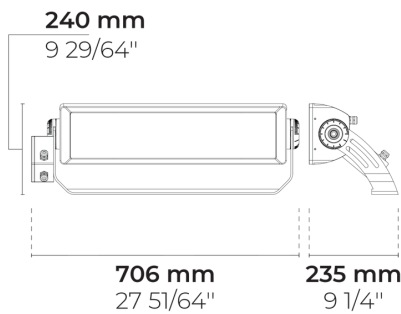


# REGIO V2 N 1 Module



LF8038.500-EN-EL-2100-840-DALI



[EL]  
Elliptical

## Configuration

|                              |               |
|------------------------------|---------------|
| <b>Light distribution</b>    | [EL] 20x30°   |
| <b>Delivered lumens flux</b> | 49794 lm      |
| <b>Rated input power</b>     | 380 W         |
| <b>Color temperature</b>     | 4000 K CRI 80 |
| <b>Luminaire efficacy</b>    | 131 lm/W      |
| <b>Lamp</b>                  | 168 LED       |
| <b>Color Deviation</b>       | 5 SDCM        |
| <b>Lifetime L90 (hour)</b>   | >52,000       |
| <b>Lifetime L80 (hour)</b>   | >52,000       |

## Options

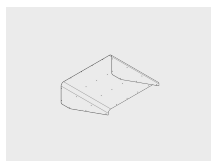
## Technical information

|                                |   |
|--------------------------------|---|
| <b>Mounting</b>                | Yoke mount  |
| <b>Tilt angle</b>              | +110°/-180°   |
| <b>Rotation angle</b>          | ±4°   |
| <b>Housing</b>                 | Corrosion resistant, die-cast, marine grade aluminum housing              |
| <b>Finishing</b>               | Chromate conversion pretreatment followed by electrostatic powder coating |
| <b>Fasteners</b>               | Stainless steel (AISI 304 / EN 1.4301 grade)                              |
| <b>Gasket</b>                  | Silicone  |
| <b>Glass / Diffusor</b>        | Tempered safety glass   |
| <b>Impact protection</b>       | IK08  |
| <b>Ingress protection</b>      | IP66  |
| <b>Input voltage</b>           | 220-240V 50/60Hz  |
| <b>Insulation class</b>        | Class I   |
| <b>Weight</b>                  | 12.1 kg   |
| <b>Driver</b>                  | External LED driver   |
| <b>Driver surge protection</b> | 10/6 kV   |
| <b>Power factor</b>            | > 0.99  |
| <b>Through wiring</b>          | Single power cord entry   |
| <b>Operating temperature</b>   | -40...50°C  |
| <b>Power cord</b>              | 40" of flexible power cord  |

## Accessories (To be ordered separately)

---




### Optical accessories



### Visor for REGIO V2 1 Module

100139030

|   |  |             |  |                 |  |
|---|--|-------------|--|-----------------|--|
| <b>Project name</b>                         |  | <b>Type</b> |  | <b>Quantity</b> |  |
| <b>Date</b>                                 |  | <b>Note</b> |  |                 |  |
| <b>LF8038.500-EN-EL-2100-840-DALI-__-__</b> |  |             |  |                 |  |

| Light distribution                       | Rated input power                                 | Color temperature  | Control               | Product colors  |
|--|---|--|-----------------------|---|
| <b>[EL]</b><br>Elliptical - 20x30°       | <b>[2100]</b><br>380 W                            | <b>[840]</b><br>4000 K CRI 80  | <b>[DALI]</b><br>DALI | <b>[HM3]</b> <br>Anthracite gray   |
| <b>[N]</b><br>Narrow - NEMA Type 2 - 15° |   | <b>[827]</b><br>2700 K CRI 80<br><b>[830]</b><br>3000 K CRI 80<br><b>[740]</b><br>4000 K CRI 70<br><b>[957]</b><br>5700 K CRI 90 |                       | <b>[HM4]</b> <br>Light gray<br><b>[CC]</b> <br>Custom color (Please specify RAL code) |
| <b>Extras</b>                            | <b>Accessories (To be ordered separately)</b>     |  |                       |   |
| <b>Consult the factory</b>               | <b>Optical accessories</b>                        |  |                       |   |
| <b>[UNI]</b><br>120-277V 50/60Hz         | <b>[100139030]</b><br>Visor for REGIO V2 1 Module |  |                       |   |