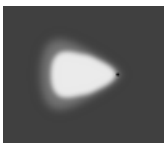
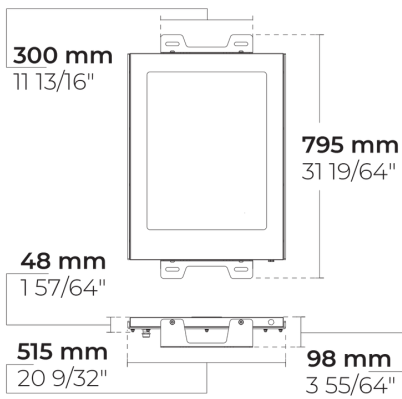
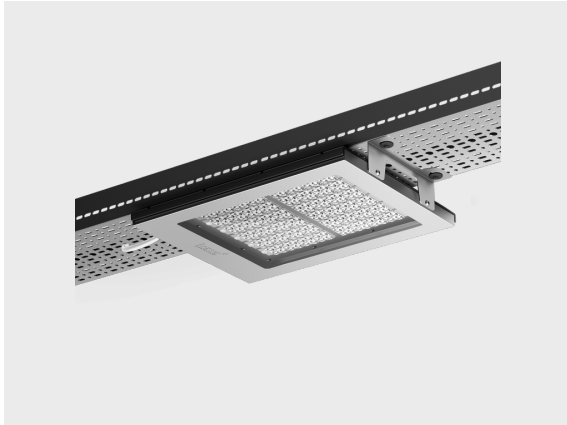


# NOX 192 LED



LT1010.770-EN-T-CB-A-350-730-SS



[T-CB-A]

Tunnel, Counter beam, Type A

## Configuration

<b>Light distribution</b>	[T-CB-A]
<b>Delivered lumens flux</b>	27683 lm
<b>Rated input power</b>	207 W
<b>Color temperature</b>	3000 K CRI 70
<b>Luminaire efficacy</b>	133 lm/W
<b>Lamp</b>	192 LED
<b>Color Deviation</b>	3 SDCM
<b>Lifetime L90 (hour)</b>	>102,000
<b>Lifetime L80 (hour)</b>	>102,000

## Options

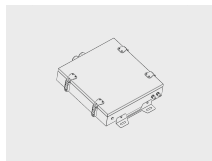
## Technical information

<b>Mounting</b>	Standard strap connection.
<b>Housing</b>	Corrosion resistant stainless steel housing (AISI 316 / EN 1.4401 grade) combined with aluminum alloy heatsink
<b>Finishing</b>	Polished stainless steel , anodized aluminum
<b>Fasteners</b>	Stainless steel (AISI 316 / EN 1.4401 grade)
<b>Gasket</b>	EPDM gasket (Shore A 25-30)
<b>Lens / Reflector</b>	PMMA lens with high optical efficiency
<b>Glass / Diffuser</b>	Tempered safety glass
<b>Impact protection</b>	IK10
<b>Ingress protection</b>	IP66
<b>Input voltage</b>	220-240V 50/60Hz
<b>Insulation class</b>	Class I
<b>Weight</b>	13.40 kg
<b>LED module</b>	High power LEDs on metal-core PCB
<b>Driver</b>	External LED driver
<b>Through wiring</b>	Single power cord entry
<b>Operating temperature</b>	-40...50°C
<b>Power cord</b>	40" of halogen-free power cord

## Accessories (To be ordered separately)

---

Mounting accessories



**Control gear box  
M for NOX family**

007502102

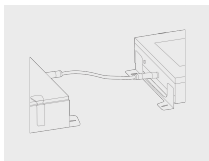
Mounting accessories



**Control gear box L  
for NOX family**

007502104


Mounting accessories



**Preassembled  
cables and 7-pole  
connector set for  
NOX**

007502169

<b>Project name</b>		<b>Type</b>		<b>Quantity</b>
<b>Date</b>		<b>Note</b>		
<b>LT1010.770-EN-T-CB-A-350-730-__-SS-__-__</b>				

<b>Light distribution</b>	<b>Rated input power</b>	<b>Color temperature</b>	<b>Control</b>	<b>Product colors</b>
<b>[T-CB-A]</b> Tunnel, Counter beam, Type A	<b>[350]</b> 207 W	<b>[730]</b> 3000 K CRI 70		<b>[SS]</b> Stainless steel 
<b>[T-ASYM-A]</b> Tunnel, Asymmetric, Type A	<b>[700]</b> 409 W	<b>[740]</b> 4000 K CRI 70		
<b>[T-ASYM-B]</b> Tunnel, Asymmetric, Type B	<b>[500]</b> 290 W			
<b>[T-CB-D]</b> Tunnel, Counter beam, Type D				
<b>[T-CB-E]</b> Tunnel, Counter beam, Type E				
<b>[T-SYM-A]</b> Tunnel, Symmetric, Type A				
<b>[T-SYM-B]</b> Tunnel, Symmetric, Type B				
<b>Extras</b>	<b>Accessories (To be ordered separately)</b>			
<b>Light output</b>	<b>Mounting accessories</b>			
<b>[CLO]</b> Constant light output	<b>[007502102]</b> Control gear box M for NOX family			
<b>Consult the factory</b>	<b>[007502104]</b> Control gear box L for NOX family			
<b>[C2]</b> Class II	<b>[007502169]</b> Preassembled cables and 7-pole connector set for NOX			
<b>[UNI]</b> 120-277V 50/60Hz				