


# REGIO 6 Module

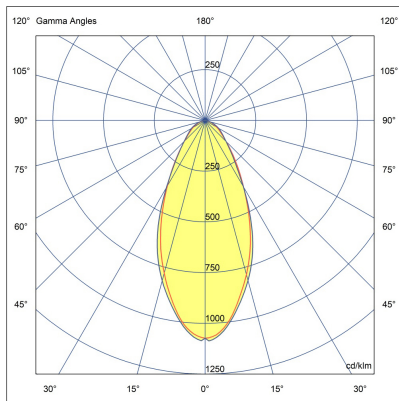
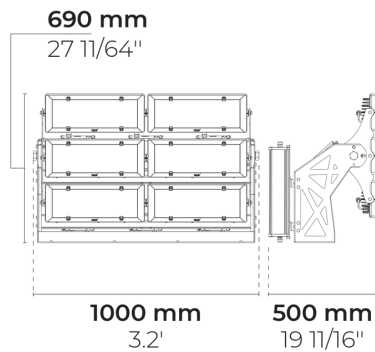
CE UK CA IK08 IP66 



LF8032.526-EN-MN-700-740-EN-C1



PHASED-OUT



[MN]

Medium narrow

## Variant

Light distribution	[MN] 30°
Delivered lumens flux	182056 lm
Rated input power	1375 W
Colour temperature	4000 K CRI 70
Luminaire efficacy	132 lm/W
Lamp	648 LED
MacAdam Ellipse	4 SDCM
Lifetime L90B50 (hour)	>102,000
Lifetime L80B50 (hour)	>102,000

## Options

## Technical information




Mounting	Surface mountable via a bracket
Tilt angle	+45°/-45°
Housing	Corrosion resistant, marine grade aluminum housing
Finishing	Chromate conversion pretreatment followed by electrostatic powder coating
Fasteners	Stainless steel (AISI 304 / EN 1.4301 grade)
Gasket	Silicone rubber
Lens / Reflector	PMMA lens with high optical efficiency
Glass / Diffuser	Tempered safety glass
Impact protection	IK08
Ingress protection	IP66
Input voltage	220-240V 50/60Hz
Insulation class	Class I
Weight	58.18 kg
LED module	High power LEDs on metal-core PCB
Driver	External LED driver
Driver surge protection	10/10 kV
Power factor	> 0.99
Through wiring	Single cable entry
Operating temperature	-40...50°C
Cable	1 m of flexible cable
Notes	Please contact the sales department regarding this product's availability.

HPR Pazarlama A.Ş.  
Başkent OSB 22. Cd. No: 2, Malıköy, Temelli,  
Sincan, 06909 Ankara, Turkey  
+90 312 267 54 30  
info@hepergroup.com

HEPER Europe GmbH  
Ahornweg 5a, 58675  
Hemer, Germany  
+49 237 2901 2975  
infoEU@hepergroup.com

We reserve the right to change specifications without prior written notice. Edition: 30.06.2024. For current version visit [heperlighting.com](http://heperlighting.com). All flux ( $\pm 7\%$  tolerance) and power values ( $\pm 10\%$  tolerance) are derived following appropriate IES, CIE, and applicable standards.

<b>Project name</b>		<b>Type</b>		<b>Quantity</b>	
<b>Date</b>		<b>Note</b>			
<b>LF8032.526-EN-MN-700-740-__-EN-C1-__-__-__</b>					

Light distribution	Rated input power	Colour temperature	Control	Product colours
<b>[MN]</b> Medium narrow - 30°	<b>[700]</b> 1375 W	<b>[740]</b> 4000 K CRI 70	<b>[ONOFF]</b> On/Off	<b>[HM3]</b>  Anthracite grey
<b>[I]</b> - 26°		<b>[827]</b> 2700 K CRI 80	<b>[DALI]</b> DALI	<b>[HM4]</b>  Light grey
<b>[EL]</b> Elliptical - 15x40°		<b>[830]</b> 3000 K CRI 80		<b>[CC]</b>  Custom colour (Please specify RAL code)
<b>[N]</b> Narrow - 22°		<b>[840]</b> 4000 K CRI 80		
<b>[M]</b> Medium - 50°		<b>[957]</b> 5700 K CRI 90		
<b>[W]</b> Wide - 111°				
<b>Extras</b>				
<b>Consult the factory</b>				
<b>[UNI]</b> 120-277V 50/60Hz				
<b>Luminaire body options</b>				
<b>[DPC]</b> Double powder coating				