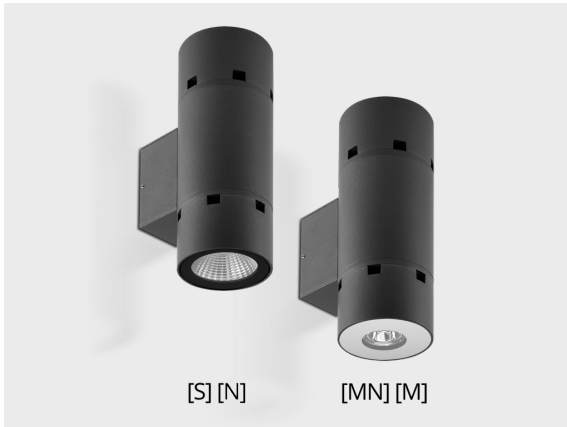


PUNTO S W Duo

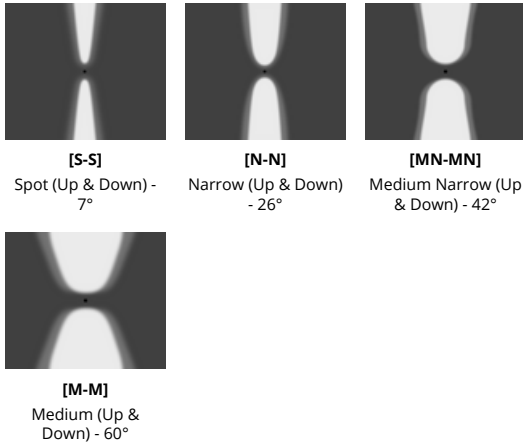
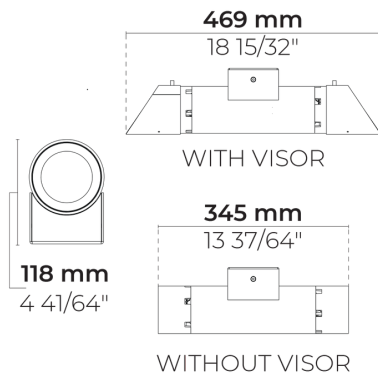
LW7036.519-EN

CE UK CA IK08 IP65 



[S] [N]

[MN] [M]



Variants

Light distribution	[S-S] 7°, [N-N] 26°, [MN-MN] 42°, [M-M] 60°
Delivered lumens flux	1204 - 2038 lm
Rated input power	18 W
Colour temperature	2700 K CRI 80, 3000 K CRI 80, 4000 K CRI 70, 4000 K CRI 80
BUG rating	B1-U0-G0, B1-U1-G0
Lifetime L90B50 (hour)	>72, 600
Lifetime L80B50 (hour)	>72, 600

Options

Control	On/Off, DALI
Product colours	

Extras

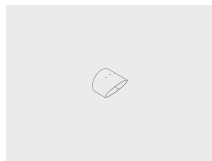
Consult the factory	120-277V 50/60Hz
----------------------------	------------------

Technical information

Mounting	Wall mountable
Housing	Corrosion resistant, marine grade aluminum housing
Finishing	Chromate conversion pretreatment followed by electrostatic powder coating
Fasteners	Stainless steel (AISI 304 / EN 1.4301 grade)
Gasket	Silicone rubber
Lens / Reflector	High reflectance aluminium coating [S] [N], PMMA lens with high optical efficiency [MN] [M]
Glass / Diffusor	Tempered safety glass
Impact protection	IK08
Ingress protection	IP65
Input voltage	220-240V 50/60Hz
Insulation class	Class I
Weight	1.51 kg
LED module	Multi-chip high power LEDs on metal-core PCB
Driver	Internal LED driver
Driver surge protection	2/2 kV
Power factor	> 0.90
Through wiring	Single cable entry
Operating temperature	-40...50°C
Cable	0.2 m of flexible cable
Notes	Please consult factory for combinations of different light distributions.

Accessories (To be ordered separately)

Optical accessories






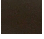



Visor for PUNTO S

007502282

Project name		Type		Quantity	
Date		Note			

LW7036.519-EN-__-__-__-__-EN-C1-__-__

Light distribution	Rated input power	Colour temperature	Control	Product colours
<p>[S-S] Spot (Up & Down) - 7°</p> <p>[N-N] Narrow (Up & Down) - 26°</p> <p>[MN-MN] Medium Narrow (Up & Down) - 42°</p> <p>[M-M] Medium (Up & Down) - 60°</p>	<p>[700] 18 W</p>	<p>[827] 2700 K CRI 80</p> <p>[830] 3000 K CRI 80</p> <p>[740] 4000 K CRI 70</p> <p>[840] 4000 K CRI 80</p>	<p>[ONOFF] On/Off</p> <p>[DALI] DALI</p>	<p>[HM1]  Black</p> <p>[HM2]  Dark grey</p> <p>[HM3]  Anthracite grey</p> <p>[HM4]  Light grey</p> <p>[HM5]  White</p> <p>[HM6]  Bronze</p> <p>[CC]  Custom colour (Please specify RAL code)</p>
Extras	Accessories (<i>To be ordered separately</i>)			
Consult the factory	Optical accessories			
[UNI] 120-277V 50/60Hz	[007502282] Visor for PUNTO S			

Variant code	Light distribution	Delivered lumens flux	Rated input power	Colour temperature	Control
LW7036.519-EN-S-S-700-740	[S-S] Spot (Up & Down) - 7°	2038 lm	18 W	4000 K CRI 70	On/Off, DALI
LW7036.519-EN-S-S-700-827	[S-S] Spot (Up & Down) - 7°	1678 lm	18 W	2700 K CRI 80	On/Off, DALI
LW7036.519-EN-S-S-700-830	[S-S] Spot (Up & Down) - 7°	1888 lm	18 W	3000 K CRI 80	On/Off, DALI
LW7036.519-EN-S-S-700-840	[S-S] Spot (Up & Down) - 7°	1906 lm	18 W	4000 K CRI 80	On/Off, DALI
LW7036.519-EN-N-N-700-740	[N-N] Narrow (Up & Down) - 26°	2038 lm	18 W	4000 K CRI 70	On/Off, DALI
LW7036.519-EN-N-N-700-827	[N-N] Narrow (Up & Down) - 26°	1678 lm	18 W	2700 K CRI 80	On/Off, DALI
LW7036.519-EN-N-N-700-830	[N-N] Narrow (Up & Down) - 26°	1698 lm	18 W	3000 K CRI 80	On/Off, DALI
LW7036.519-EN-N-N-700-840	[N-N] Narrow (Up & Down) - 26°	1906 lm	18 W	4000 K CRI 80	On/Off, DALI
LW7036.519-EN-MN-MN-700-740	[MN-MN] Medium Narrow (Up & Down) - 42°	1640 lm	18 W	4000 K CRI 70	On/Off, DALI
LW7036.519-EN-MN-MN-700-827	[MN-MN] Medium Narrow (Up & Down) - 42°	1350 lm	18 W	2700 K CRI 80	On/Off, DALI
LW7036.519-EN-MN-MN-700-830	[MN-MN] Medium Narrow (Up & Down) - 42°	1367 lm	18 W	3000 K CRI 80	On/Off, DALI
LW7036.519-EN-MN-MN-700-840	[MN-MN] Medium Narrow (Up & Down) - 42°	1534 lm	18 W	4000 K CRI 80	On/Off, DALI
LW7036.519-EN-M-M-700-740	[M-M] Medium (Up & Down) - 60°	1463 lm	18 W	4000 K CRI 70	On/Off, DALI
LW7036.519-EN-M-M-700-827	[M-M] Medium (Up & Down) - 60°	1204 lm	18 W	2700 K CRI 80	On/Off, DALI
LW7036.519-EN-M-M-700-830	[M-M] Medium (Up & Down) - 60°	1219 lm	18 W	3000 K CRI 80	On/Off, DALI
LW7036.519-EN-M-M-700-840	[M-M] Medium (Up & Down) - 60°	1368 lm	18 W	4000 K CRI 80	On/Off, DALI