


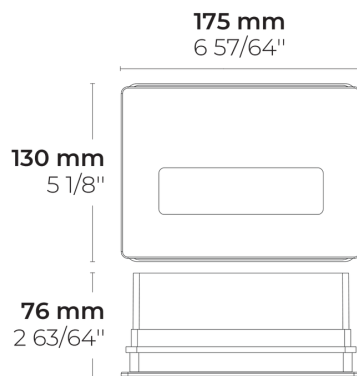
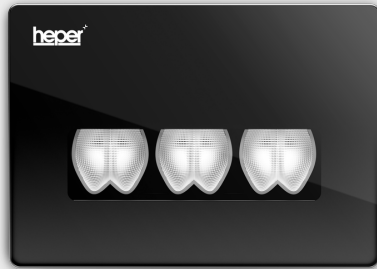
VERTEX W 1 Module

LW6064.591-EN

CE UK CA IK08 IP66 

heper⁺

UPCOMING



[SLFB]

Special linear,
Forward throw -
144x41°

Variants

Light distribution	[SLFB] 144x41°
Delivered lumens flux	423 - 473 lm
Rated input power	8 W
Colour temperature	2700 K CRI 80, 3000 K CRI 80, 4000 K CRI 70, 4000 K CRI 80
BUG rating	B0-U0-G0
Lifetime L90B50 (hour)	>60, 000
Lifetime L80B50 (hour)	>60, 000

Options

Control	On/Off
Product colours	

Extras

Consult the factory	Class II, 120-277V 50/60Hz
----------------------------	----------------------------

Technical information

Mounting	Wall mountable
Housing	Corrosion resistant, extruded, marine grade aluminum housing
Finishing	Chromate conversion pretreatment followed by electrostatic powder coating
Fasteners	Stainless steel (AISI 304 / EN 1.4301 grade)
Gasket	Liquid silicone
Lens / Reflector	High reflectance aluminium coating, multifaceted micro reflector
Glass / Diffusor	Tempered safety glass
Impact protection	IK08
Ingress protection	IP66
Input voltage	220-240V 50/60Hz
Insulation class	Class I
Weight	4.51 kg
LED module	Multi-chip high power LEDs on metal-core PCB
Driver	External LED driver
Driver surge protection	3/3 kV
Power factor	> 0.90
Through wiring	Through wiring: Two cable entries
Operating temperature	-25...50°C
Cable	0.2 m of flexible cable


HPR Pazarlama A.Ş.
Başkent OSB 22. Cd. No: 2, Malıköy, Temelli,
Sincan, 06909 Ankara, Turkey
+90 312 267 54 30
info@hepergroup.com

HEPER Europe GmbH
Ahornweg 5a, 58675
Hemer, Germany
+49 237 2901 2975
infoEU@hepergroup.com

We reserve the right to change specifications without prior written notice. Edition: 19.03.2024. For current version visit heperlighting.com. All flux (±7% tolerance) and power values (±10% tolerance) are derived following appropriate IES, CIE, and applicable standards.

Project name		Type		Quantity	
Date		Note			

LW6064.591-EN-__-__-__-__-EN-C1-__-__

Light distribution	Rated input power	Colour temperature	Control	Product colours
[SLFB] Special linear, Forward throw - 144x41°	[350] 8 W	[827] 2700 K CRI 80 [830] 3000 K CRI 80 [740] 4000 K CRI 70 [840] 4000 K CRI 80	[ONOFF] On/Off	[HM1] Black 
Extras				
Consult the factory				
[C2] Class II [UNI] 120-277V 50/60Hz				

Variant code	Light distribution	Delivered lumens flux	Rated input power	Colour temperature	Control
LW6064.591-EN-SLFB-350-740	[SLFB] Special linear, Forward throw - 144x41°	473 lm	8 W	4000 K CRI 70	On/Off
LW6064.591-EN-SLFB-350-827	[SLFB] Special linear, Forward throw - 144x41°	423 lm	8 W	2700 K CRI 80	On/Off
LW6064.591-EN-SLFB-350-830	[SLFB] Special linear, Forward throw - 144x41°	430 lm	8 W	3000 K CRI 80	On/Off
LW6064.591-EN-SLFB-350-840	[SLFB] Special linear, Forward throw - 144x41°	450 lm	8 W	4000 K CRI 80	On/Off