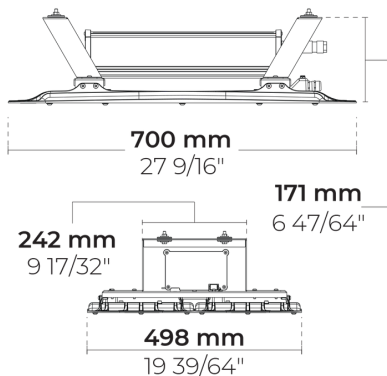


# GOLEDO-IN 128 LED

LW2037.888-EN



IK08 IP66



[-2]



[N]  
Narrow - 25°



[M]  
Medium - 50°

## Variants

Light distribution	[-2], [N] 25°, [M] 50°
Delivered lumens flux	23230 - 30808 lm
Rated input power	188 - 272 W
Colour temperature	3000 K CRI 80, 4000 K CRI 80
Lifetime L90B50 (hour)	>102, 000
Lifetime L80B50 (hour)	>102, 000

## Options

Control	On/Off, 0-10V, DALI, AutoDIM, StepDIM
Product colours	

## Extras



External surge protection	10 kV
Light output	Constant light output
Consult the factory	Class II
Luminaire body options	Double powder coating

## Technical information

Mounting	Standard strap connection. Sliding mounting bracket is optional through extra
Housing	Corrosion resistant, die-cast, marine grade aluminum housing
Finishing	Chromate conversion pretreatment followed by electrostatic powder coating
Fasteners	Stainless steel (AISI 304 / EN 1.4301 grade)
Gasket	Silicone
Lens / Reflector	PMMA lens with high optical efficiency
Glass / Diffuser	Tempered safety glass
Impact protection	IK08
Ingress protection	IP66
Input voltage	220-240V 50/60Hz
Insulation class	Class I
Weight	18.75 kg
LED module	High power LEDs on metal-core PCB
Driver	Internal LED driver
Driver surge protection	10/6 kV
Power factor	> 0.95
Through wiring	Single cable entry
Operating temperature	-40...50°C
Cable	1 m of halogen-free cable
Notes	This product can be supplied with Insulation class (Class II) upon request. Please contact factory.

Project name		Type		Quantity	
Date		Note			

**LW2037.888-EN-**\_\_\_\_-\_\_\_\_-\_\_\_\_-\_\_\_\_-\_\_\_\_**-EN-C1-**\_\_\_\_-\_\_\_\_-\_\_\_\_-\_\_\_\_-\_\_\_\_

Light distribution	Rated input power	Colour temperature	Control	Product colours
<b>[-2]</b> <b>[N]</b> Narrow - 25° <b>[M]</b> Medium - 50°	<b>[500]</b> 188 W  <b>[700]</b> 272 W	<b>[830]</b> 3000 K CRI 80  <b>[840]</b> 4000 K CRI 80	<b>[ONOFF]</b> On/Off  <b>[0-10V]</b> 0-10V  <b>[DALI]</b> DALI  <b>[AUTO]</b> AutoDIM  <b>[STEP]</b> StepDIM	<b>[CC]</b>  Custom colour (Please specify RAL code)  <b>[7035]</b>  Light grey (RAL 7035)

<b>Extras</b>
<b>External surge protection</b>
<b>[SP10]</b> 10 kV
<b>Light output</b>
<b>[CLO]</b> Constant light output
<b>Consult the factory</b>
<b>[C2]</b> Class II
<b>Luminaire body options</b>
<b>[DPC]</b> Double powder coating

Variant code	Light distribution	Delivered lumens flux	Rated input power	Colour temperature	Control
LW2037.888-EN-N-500-830	[N] Narrow - 25°	23800 lm	188 W	3000 K CRI 80	On/Off, 0-10V, DALI, AutoDIM, StepDIM
LW2037.888-EN-N-500-840	[N] Narrow - 25°	23800 lm	188 W	4000 K CRI 80	On/Off, 0-10V, DALI, AutoDIM, StepDIM
LW2037.888-EN-N-700-830	[N] Narrow - 25°	30808 lm	272 W	3000 K CRI 80	On/Off, 0-10V, DALI, AutoDIM, StepDIM
LW2037.888-EN-N-700-840	[N] Narrow - 25°	30808 lm	272 W	4000 K CRI 80	On/Off, 0-10V, DALI, AutoDIM, StepDIM
LW2037.888-EN-M-500-830	[M] Medium - 50°	23230 lm	188 W	3000 K CRI 80	On/Off, 0-10V, DALI, AutoDIM, StepDIM
LW2037.888-EN-M-500-840	[M] Medium - 50°	23230 lm	188 W	4000 K CRI 80	On/Off, 0-10V, DALI, AutoDIM, StepDIM
LW2037.888-EN-M-700-830	[M] Medium - 50°	30066 lm	272 W	3000 K CRI 80	On/Off, 0-10V, DALI, AutoDIM, StepDIM
LW2037.888-EN-M-700-840	[M] Medium - 50°	30066 lm	272 W	4000 K CRI 80	On/Off, 0-10V, DALI, AutoDIM, StepDIM
LW2037.888-EN-M-350-830	□				On/Off, 0-10V, DALI, AutoDIM, StepDIM
LW2037.888-EN-M-350-840	□				On/Off, 0-10V, DALI, AutoDIM, StepDIM
LW2037.888-EN-N-350-830	□				On/Off, 0-10V, DALI, AutoDIM, StepDIM
LW2037.888-EN-N-350-840	□				On/Off, 0-10V, DALI, AutoDIM, StepDIM