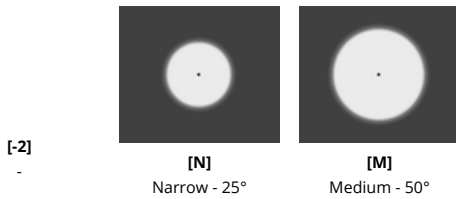
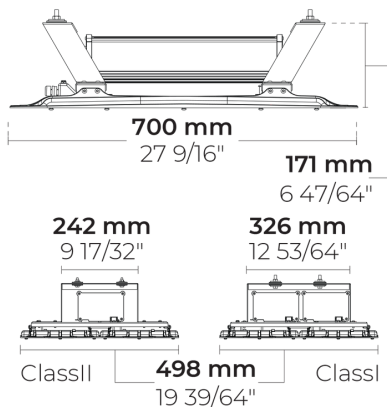


GOLEDO-IN 192 LED

LW2037.887-EN



IK08 IP66



Variants

Light distribution	[-2], [N] 25°, [M] 50°
Delivered lumens flux	34845 - 46212 lm
Rated input power	282 - 408 W
Colour temperature	3000 K CRI 80, 4000 K CRI 80
Lifetime L90B50 (hour)	>102, 000
Lifetime L80B50 (hour)	>102, 000

Options

Control	On/Off, 0-10V, DALI, AutoDIM, StepDIM
Product colours	



Extras

External surge protection	10 kV
Light output	Constant light output
Consult the factory	Class II, 120-277V 50/60Hz
Luminaire body options	Double powder coating

Technical information

Mounting	Standard strap connection. Sliding mounting bracket is optional through extra
Housing	Corrosion resistant, die-cast, marine grade aluminum housing
Finishing	Chromate conversion pretreatment followed by electrostatic powder coating
Fasteners	Stainless steel (AISI 304 / EN 1.4301 grade)
Gasket	Silicone
Lens / Reflector	PMMA lens with high optical efficiency
Glass / Diffusor	Tempered safety glass
Impact protection	IK08
Ingress protection	IP66
Input voltage	220-240V 50/60Hz
Insulation class	Class I
Weight	18.75 kg
LED module	High power LEDs on metal-core PCB
Driver	Internal LED driver
Driver surge protection	10/6 kV
Power factor	> 0.95
Through wiring	Single cable entry
Operating temperature	-40...50°C
Cable	1 m of halogen-free cable
Notes	This product can be supplied with Insulation class (Class II) upon request. Please contact factory.

Project name		Type		Quantity	
Date		Note			
LW2037.887-EN- - - - -EN-C1- - - - -					

Light distribution	Rated input power	Colour temperature	Control	Product colours
[-2] [N] Narrow - 25° [M] Medium - 50°	[500] 282 W [700] 408 W	[830] 3000 K CRI 80 [840] 4000 K CRI 80	[ONOFF] On/Off [0-10V] 0-10V [DALI] DALI [AUTO] AutoDIM [STEP] StepDIM	[CC]  Custom colour (Please specify RAL code) [7035]  Light grey (RAL 7035)

Extras
External surge protection
[SP10] 10 kV
Light output
[CLO] Constant light output
Consult the factory
[C2] Class II
[UNI] 120-277V 50/60Hz
Luminaire body options
[DPC] Double powder coating

Variant code	Light distribution	Delivered lumens flux	Rated input power	Colour temperature	Control
LW2037.887-EN-N-500-830	[N] Narrow - 25°	35700 lm	282 W	3000 K CRI 80	On/Off, 0-10V, DALI, AutoDIM, StepDIM
LW2037.887-EN-N-500-840	[N] Narrow - 25°	35700 lm	282 W	4000 K CRI 80	On/Off, 0-10V, DALI, AutoDIM, StepDIM
LW2037.887-EN-N-700-830	[N] Narrow - 25°	46212 lm	408 W	3000 K CRI 80	On/Off, 0-10V, DALI, AutoDIM, StepDIM
LW2037.887-EN-N-700-840	[N] Narrow - 25°	46212 lm	408 W	4000 K CRI 80	On/Off, 0-10V, DALI, AutoDIM, StepDIM
LW2037.887-EN-M-500-830	[M] Medium - 50°	34845 lm	282 W	3000 K CRI 80	On/Off, 0-10V, DALI, AutoDIM, StepDIM
LW2037.887-EN-M-500-840	[M] Medium - 50°	34845 lm	282 W	4000 K CRI 80	On/Off, 0-10V, DALI, AutoDIM, StepDIM
LW2037.887-EN-M-700-830	[M] Medium - 50°	45099 lm	408 W	3000 K CRI 80	On/Off, 0-10V, DALI, AutoDIM, StepDIM
LW2037.887-EN-M-700-840	[M] Medium - 50°	45099 lm	408 W	4000 K CRI 80	On/Off, 0-10V, DALI, AutoDIM, StepDIM
LW2037.887-EN-M-350-830	□				On/Off, 0-10V, DALI, AutoDIM, StepDIM
LW2037.887-EN-M-350-840	□				On/Off, 0-10V, DALI, AutoDIM, StepDIM
LW2037.887-EN-N-350-830	□				On/Off, 0-10V, DALI, AutoDIM, StepDIM
LW2037.887-EN-N-350-840	□				On/Off, 0-10V, DALI, AutoDIM, StepDIM