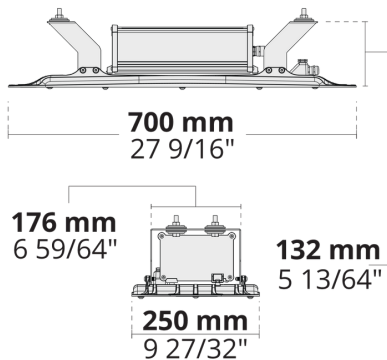


# GOLEDO-IN 96 LED

LW2037.886-EN



IK08 IP66



[-2]



[N]  
Narrow - 25°



[M]  
Medium - 50°

## Variants

Light distribution	[-2], [N] 25°, [M] 50°
Delivered lumens flux	17421 - 23106 lm
Rated input power	138 - 204 W
Colour temperature	3000 K CRI 80, 4000 K CRI 80
Lifetime L90B50 (hour)	>102, 000
Lifetime L80B50 (hour)	>102, 000

## Options

Control	On/Off, 0-10V, DALI, AutoDIM, StepDIM
Product colours	

## Extras

External surge protection	10 kV
Light output	Constant light output
Consult the factory	Class II, 120-277V 50/60Hz
Luminaire body options	Double powder coating

## Technical information



Mounting	Standard strap connection. Sliding mounting bracket is optional through extra
Housing	Corrosion resistant, die-cast, marine grade aluminum housing
Finishing	Chromate conversion pretreatment followed by electrostatic powder coating
Fasteners	Stainless steel (AISI 304 / EN 1.4301 grade)
Gasket	Silicone
Lens / Reflector	PMMA lens with high optical efficiency
Glass / Diffusor	Tempered safety glass
Impact protection	IK08
Ingress protection	IP66
Input voltage	220-240V 50/60Hz
Insulation class	Class I
Weight	10.2 kg
LED module	High power LEDs on metal-core PCB
Driver	Internal LED driver
Driver surge protection	10/6 kV
Power factor	> 0.95
Through wiring	Single cable entry
Operating temperature	-40...50°C
Cable	1 m of halogen-free cable
Notes	This product can be supplied with Insulation class (Class II) upon request. Please contact factory.

HPR Pazarlama A.Ş.  
Başkent OSB 22. Cd. No: 2, Malıköy, Temelli,  
Sincan, 06909 Ankara, Turkey  
+90 312 267 54 30  
info@hepergroup.com

HEPER Europe GmbH  
Ahornweg 5a, 58675  
Hemer, Germany  
+49 237 2901 2975  
infoEU@hepergroup.com

We reserve the right to change specifications without prior written notice. Edition: 23.02.2024.  
For current version visit [heperlighting.com](http://heperlighting.com). All flux ( $\pm 7\%$  tolerance) and power values ( $\pm 10\%$  tolerance) are derived following appropriate IES, CIE, and applicable standards.

Project name		Type		Quantity	
Date		Note			
<b>LW2037.886-EN- - - - -EN-C1- - - - -</b>					

Light distribution	Rated input power	Colour temperature	Control	Product colours
<b>[-2]</b> <b>[N]</b> Narrow - 25° <b>[M]</b> Medium - 50°	<b>[500]</b> 138 W <b>[700]</b> 204 W	<b>[830]</b> 3000 K CRI 80 <b>[840]</b> 4000 K CRI 80	<b>[ONOFF]</b> On/Off <b>[0-10V]</b> 0-10V <b>[DALI]</b> DALI <b>[AUTO]</b> AutoDIM <b>[STEP]</b> StepDIM	<b>[CC]</b>  Custom colour (Please specify RAL code) <b>[7035]</b>  Light grey (RAL 7035)
<b>Extras</b>				
<b>External surge protection</b>				
<b>[SP10]</b> 10 kV				
<b>Light output</b>				
<b>[CLO]</b> Constant light output				
<b>Consult the factory</b>				
<b>[C2]</b> Class II				
<b>[UNI]</b> 120-277V 50/60Hz				
<b>Luminaire body options</b>				
<b>[DPC]</b> Double powder coating				

Variant code	Light distribution	Delivered lumens flux	Rated input power	Colour temperature	Control
LW2037.886-EN-N-500-830	[N] Narrow - 25°	17850 lm	138 W	3000 K CRI 80	On/Off, 0-10V, DALI, AutoDIM, StepDIM
LW2037.886-EN-N-500-840	[N] Narrow - 25°	17850 lm	138 W	4000 K CRI 80	On/Off, 0-10V, DALI, AutoDIM, StepDIM
LW2037.886-EN-N-700-830	[N] Narrow - 25°	23106 lm	204 W	3000 K CRI 80	On/Off, 0-10V, DALI, AutoDIM, StepDIM
LW2037.886-EN-N-700-840	[N] Narrow - 25°	23106 lm	204 W	4000 K CRI 80	On/Off, 0-10V, DALI, AutoDIM, StepDIM
LW2037.886-EN-M-500-830	[M] Medium - 50°	17421 lm	138 W	3000 K CRI 80	On/Off, 0-10V, DALI, AutoDIM, StepDIM
LW2037.886-EN-M-500-840	[M] Medium - 50°	17421 lm	138 W	4000 K CRI 80	On/Off, 0-10V, DALI, AutoDIM, StepDIM
LW2037.886-EN-M-700-830	[M] Medium - 50°	22545 lm	204 W	3000 K CRI 80	On/Off, 0-10V, DALI, AutoDIM, StepDIM
LW2037.886-EN-M-700-840	[M] Medium - 50°	22545 lm	204 W	4000 K CRI 80	On/Off, 0-10V, DALI, AutoDIM, StepDIM
LW2037.886-EN-M-350-830	□				On/Off, 0-10V, DALI, AutoDIM, StepDIM
LW2037.886-EN-M-350-840	□				On/Off, 0-10V, DALI, AutoDIM, StepDIM
LW2037.886-EN-N-350-830	□				On/Off, 0-10V, DALI, AutoDIM, StepDIM
LW2037.886-EN-N-350-840	□				On/Off, 0-10V, DALI, AutoDIM, StepDIM