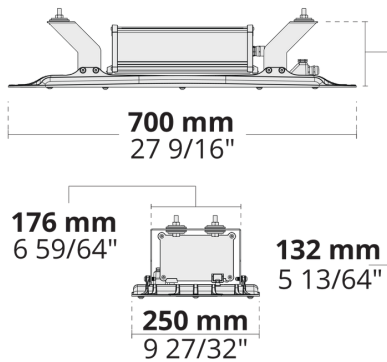


# GOLEDO-IN 64 LED

LW2037.884-US



[-2]

[N]  
Narrow - NEMA Type  
2 - 25°

[M]  
Medium - NEMA  
Type 4 - 50°

## Configurations

<b>Light distribution</b>	[-2], [N] 25°, [M] 50°
<b>Delivered lumens flux</b>	11615 - 15404 lm
<b>Rated input power</b>	94 - 136 W
<b>Color temperature</b>	3000 K CRI 80, 4000 K CRI 80
<b>Lifetime L90 (hour)</b>	>102, 000
<b>Lifetime L80 (hour)</b>	>102, 000

## Options

<b>Control</b>	On/Off, 0-10V
<b>Product colors</b>	

## Extras



<b>External surge protection</b>	10 kV
<b>Luminaire body options</b>	Double powder coating

## Technical information

<b>Mounting</b>	Standard strap connection. Sliding mounting bracket is optional through extra
<b>Housing</b>	Corrosion resistant, die-cast, marine grade aluminum housing
<b>Finishing</b>	Chromate conversion pretreatment followed by electrostatic powder coating
<b>Fasteners</b>	Stainless steel (AISI 304 / EN 1.4301 grade)
<b>Gasket</b>	Silicone
<b>Lens / Reflector</b>	PMMA lens with high optical efficiency
<b>Glass / Diffusor</b>	Tempered safety glass
<b>Impact protection</b>	IK08
<b>Ingress protection</b>	IP66
<b>Input voltage</b>	120-277V 50/60Hz
<b>Insulation class</b>	Class I
<b>Weight</b>	22.1 lbs
<b>LED module</b>	High power LEDs on metal-core PCB
<b>Driver</b>	Internal LED driver
<b>Through wiring</b>	Single power cord entry
<b>Operating temperature</b>	-40...50°C
<b>Power cord</b>	40' of halogen-free power cord

Project name		Type		Quantity	
Date		Note			

**LW2037.884-US-** \_ \_ \_ \_ \_

Light distribution	Rated input power	Color temperature	Control	Product colors
<b>[-2]</b> <b>[N]</b> Narrow - NEMA Type 2 - 25° <b>[M]</b> Medium - NEMA Type 4 - 50°	<b>[500]</b> 94 W <b>[700]</b> 136 W	<b>[830]</b> 3000 K CRI 80 <b>[840]</b> 4000 K CRI 80	<b>[ONOFF]</b> On/Off <b>[0-10V]</b> 0-10V	<b>[CC]</b>  Custom color (Please specify RAL code) <b>[7035]</b>  Light gray (RAL 7035)
<b>Extras</b>				
<b>External surge protection</b>				
<b>[SP10]</b> 10 kV				
<b>Luminaire body options</b>				
<b>[DPC]</b> Double powder coating				

Configuration code	Light distribution	Delivered lumens flux	Rated input power	Color temperature	Control
LW2037.884-US-N-500-830	[N] Narrow - NEMA Type 2 - 25°	11900 lm	94 W	3000 K CRI 80	On/Off, 0-10V
LW2037.884-US-N-500-840	[N] Narrow - NEMA Type 2 - 25°	11900 lm	94 W	4000 K CRI 80	On/Off, 0-10V
LW2037.884-US-N-700-830	[N] Narrow - NEMA Type 2 - 25°	15404 lm	136 W	3000 K CRI 80	On/Off, 0-10V
LW2037.884-US-N-700-840	[N] Narrow - NEMA Type 2 - 25°	15404 lm	136 W	4000 K CRI 80	On/Off, 0-10V
LW2037.884-US-M-500-830	[M] Medium - NEMA Type 4 - 50°	11615 lm	94 W	3000 K CRI 80	On/Off, 0-10V
LW2037.884-US-M-500-840	[M] Medium - NEMA Type 4 - 50°	11615 lm	94 W	4000 K CRI 80	On/Off, 0-10V
LW2037.884-US-M-700-830	[M] Medium - NEMA Type 4 - 50°	15033 lm	136 W	3000 K CRI 80	On/Off, 0-10V
LW2037.884-US-M-700-840	[M] Medium - NEMA Type 4 - 50°	15033 lm	136 W	4000 K CRI 80	On/Off, 0-10V
LW2037.884-US-M-350-830	□				On/Off, 0-10V
LW2037.884-US-M-350-840	□				On/Off, 0-10V
LW2037.884-US-N-350-830	□				On/Off, 0-10V
LW2037.884-US-N-350-840	□				On/Off, 0-10V