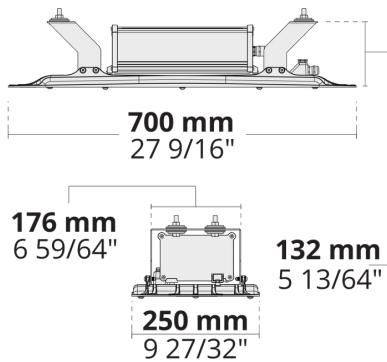
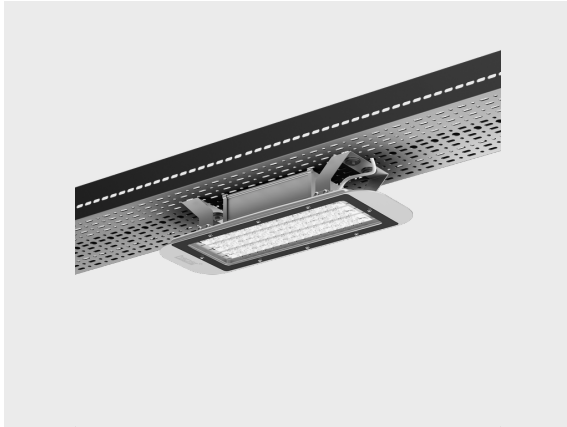


GOLEDO-IN 48 LED

LW2037.883-US



[-2]

[N]
Narrow - NEMA Type
2 - 25°

[M]
Medium - NEMA
Type 4 - 50°

Configurations

| | |
|------------------------------|------------------------------|
| Light distribution | [-2], [N] 25°, [M] 50° |
| Delivered lumens flux | 8710 - 11552 lm |
| Rated input power | 72 - 103 W |
| Color temperature | 3000 K CRI 80, 4000 K CRI 80 |
| Lifetime L90 (hour) | >102, 000 |
| Lifetime L80 (hour) | >102, 000 |

Options

| | |
|-----------------------|---------------|
| Control | On/Off, 0-10V |
| Product colors | |

Extras



| | |
|----------------------------------|-----------------------|
| External surge protection | 10 kV |
| Luminaire body options | Double powder coating |

Technical information

| | |
|------------------------------|---|
| Mounting | Standard strap connection. Sliding mounting bracket is optional through extra |
| Housing | Corrosion resistant, die-cast, marine grade aluminum housing |
| Finishing | Chromate conversion pretreatment followed by electrostatic powder coating |
| Fasteners | Stainless steel (AISI 304 / EN 1.4301 grade) |
| Gasket | Silicone |
| Lens / Reflector | PMMA lens with high optical efficiency |
| Glass / Diffusor | Tempered safety glass |
| Impact protection | IK08 |
| Ingress protection | IP66 |
| Input voltage | 120-277V 50/60Hz |
| Insulation class | Class I |
| Weight | 19.8 lbs |
| LED module | High power LEDs on metal-core PCB |
| Driver | Internal LED driver |
| Through wiring | Single power cord entry |
| Operating temperature | -40...50°C |
| Power cord | 40' of halogen-free power cord |

| | | | | | |
|--------------|--|------|--|----------|--|
| Project name | | Type | | Quantity | |
| Date | | Note | | | |

LW2037.883-US- _ _ _ _ _

| Light distribution | Rated input power | Color temperature | Control | Product colors |
|---|---|--|---|---|
| [-2] [N] Narrow - NEMA Type 2 - 25° [M] Medium - NEMA Type 4 - 50° | [500] 72 W [700] 103 W | [830] 3000 K CRI 80 [840] 4000 K CRI 80 | [ONOFF] On/Off [0-10V] 0-10V | [CC]  Custom color (Please specify RAL code) [7035]  Light gray (RAL 7035) |
| Extras | | | | |
| External surge protection | | | | |
| [SP10] 10 kV | | | | |
| Luminaire body options | | | | |
| [DPC] Double powder coating | | | | |

| Configuration code | Light distribution | Delivered lumens flux | Rated input power | Color temperature | Control |
|-------------------------|--------------------------------|-----------------------|-------------------|-------------------|---------------|
| LW2037.883-US-N-500-830 | [N] Narrow - NEMA Type 2 - 25° | 8926 lm | 72 W | 3000 K CRI 80 | On/Off, 0-10V |
| LW2037.883-US-N-500-840 | [N] Narrow - NEMA Type 2 - 25° | 8926 lm | 72 W | 4000 K CRI 80 | On/Off, 0-10V |
| LW2037.883-US-N-700-830 | [N] Narrow - NEMA Type 2 - 25° | 11552 lm | 103 W | 3000 K CRI 80 | On/Off, 0-10V |
| LW2037.883-US-N-700-840 | [N] Narrow - NEMA Type 2 - 25° | 11552 lm | 103 W | 4000 K CRI 80 | On/Off, 0-10V |
| LW2037.883-US-M-500-830 | [M] Medium - NEMA Type 4 - 50° | 8710 lm | 72 W | 3000 K CRI 80 | On/Off, 0-10V |
| LW2037.883-US-M-500-840 | [M] Medium - NEMA Type 4 - 50° | 8710 lm | 72 W | 4000 K CRI 80 | On/Off, 0-10V |
| LW2037.883-US-M-700-830 | [M] Medium - NEMA Type 4 - 50° | 11274 lm | 103 W | 3000 K CRI 80 | On/Off, 0-10V |
| LW2037.883-US-M-700-840 | [M] Medium - NEMA Type 4 - 50° | 11274 lm | 103 W | 4000 K CRI 80 | On/Off, 0-10V |
| LW2037.883-US-M-350-830 | □ | | | | On/Off, 0-10V |
| LW2037.883-US-M-350-840 | □ | | | | On/Off, 0-10V |
| LW2037.883-US-N-350-830 | □ | | | | On/Off, 0-10V |
| LW2037.883-US-N-350-840 | □ | | | | On/Off, 0-10V |