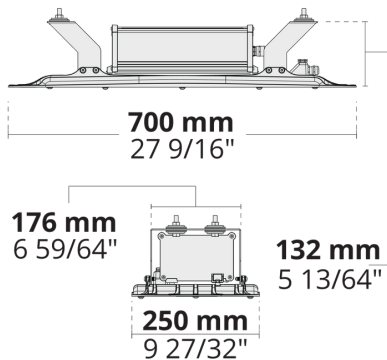


GOLEDO-IN 48 LED

LW2037.883-EN



IK08 IP66



[-2]



[N]
Narrow - 25°



[M]
Medium - 50°

Variants

Light distribution	[-2], [N] 25°, [M] 50°
Delivered lumens flux	8710 - 11552 lm
Rated input power	72 - 103 W
Colour temperature	3000 K CRI 80, 4000 K CRI 80
Lifetime L90B50 (hour)	>102, 000
Lifetime L80B50 (hour)	>102, 000

Options

Control	On/Off, 0-10V, DALI, AutoDIM, StepDIM
Product colours	

Extras

External surge protection	10 kV
Light output	Constant light output
Consult the factory	Class II, 120-277V 50/60Hz
Luminaire body options	Double powder coating

Technical information



Mounting	Standard strap connection. Sliding mounting bracket is optional through extra
Housing	Corrosion resistant, die-cast, marine grade aluminum housing
Finishing	Chromate conversion pretreatment followed by electrostatic powder coating
Fasteners	Stainless steel (AISI 304 / EN 1.4301 grade)
Gasket	Silicone
Lens / Reflector	PMMA lens with high optical efficiency
Glass / Diffusor	Tempered safety glass
Impact protection	IK08
Ingress protection	IP66
Input voltage	220-240V 50/60Hz
Insulation class	Class I
Weight	9.01 kg
LED module	High power LEDs on metal-core PCB
Driver	Internal LED driver
Driver surge protection	10/6 kV
Power factor	> 0.95
Through wiring	Single cable entry
Operating temperature	-40...50°C
Cable	1 m of halogen-free cable
Notes	This product can be supplied with Insulation class (Class II) upon request. Please contact factory.

HPR Pazarlama A.Ş.
Başkent OSB 22. Cd. No: 2, Malıköy, Temelli,
Sincan, 06909 Ankara, Turkey
+90 312 267 54 30
info@hepergroup.com

HEPER Europe GmbH
Ahornweg 5a, 58675
Hemer, Germany
+49 237 2901 2975
infoEU@hepergroup.com

We reserve the right to change specifications without prior written notice. Edition: 23.02.2024.
For current version visit heperlighting.com. All flux ($\pm 7\%$ tolerance) and power values ($\pm 10\%$ tolerance) are derived following appropriate IES, CIE, and applicable standards.

Project name		Type		Quantity	
Date		Note			
LW2037.883-EN-_-_-_-_-EN-C1-_-_-_-_-					

Light distribution	Rated input power	Colour temperature	Control	Product colours
[-2] [N] Narrow - 25° [M] Medium - 50°	[500] 72 W [700] 103 W	[830] 3000 K CRI 80 [840] 4000 K CRI 80	[ONOFF] On/Off [0-10V] 0-10V [DALI] DALI [AUTO] AutoDIM [STEP] StepDIM	[CC]  Custom colour (Please specify RAL code) [7035]  Light grey (RAL 7035)

Extras
External surge protection
[SP10] 10 kV
Light output
[CLO] Constant light output
Consult the factory
[C2] Class II
[UNI] 120-277V 50/60Hz
Luminaire body options
[DPC] Double powder coating

Variant code	Light distribution	Delivered lumens flux	Rated input power	Colour temperature	Control
LW2037.883-EN-N-500-830	[N] Narrow - 25°	8926 lm	72 W	3000 K CRI 80	On/Off, 0-10V, DALI, AutoDIM, StepDIM
LW2037.883-EN-N-500-840	[N] Narrow - 25°	8926 lm	72 W	4000 K CRI 80	On/Off, 0-10V, DALI, AutoDIM, StepDIM
LW2037.883-EN-N-700-830	[N] Narrow - 25°	11552 lm	103 W	3000 K CRI 80	On/Off, 0-10V, DALI, AutoDIM, StepDIM
LW2037.883-EN-N-700-840	[N] Narrow - 25°	11552 lm	103 W	4000 K CRI 80	On/Off, 0-10V, DALI, AutoDIM, StepDIM
LW2037.883-EN-M-500-830	[M] Medium - 50°	8710 lm	72 W	3000 K CRI 80	On/Off, 0-10V, DALI, AutoDIM, StepDIM
LW2037.883-EN-M-500-840	[M] Medium - 50°	8710 lm	72 W	4000 K CRI 80	On/Off, 0-10V, DALI, AutoDIM, StepDIM
LW2037.883-EN-M-700-830	[M] Medium - 50°	11274 lm	103 W	3000 K CRI 80	On/Off, 0-10V, DALI, AutoDIM, StepDIM
LW2037.883-EN-M-700-840	[M] Medium - 50°	11274 lm	103 W	4000 K CRI 80	On/Off, 0-10V, DALI, AutoDIM, StepDIM
LW2037.883-EN-M-350-830	□				On/Off, 0-10V, DALI, AutoDIM, StepDIM
LW2037.883-EN-M-350-840	□				On/Off, 0-10V, DALI, AutoDIM, StepDIM
LW2037.883-EN-N-350-830	□				On/Off, 0-10V, DALI, AutoDIM, StepDIM
LW2037.883-EN-N-350-840	□				On/Off, 0-10V, DALI, AutoDIM, StepDIM