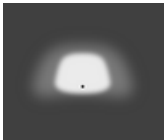
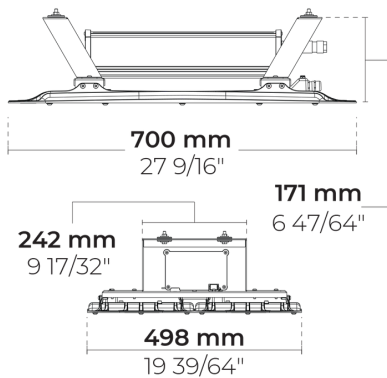


# GOLEDO-T 128 LED

LT2037.888-US



**[T-ASYM-A]**  
Tunnel, Asymmetric,  
Type A -



**[T-CB-A]**  
Tunnel, Counter  
beam, Type A -



**[T-SYM-A]**  
Tunnel, Symmetric,  
Type A -

## Configurations

|                              |   |
|------------------------------|---|
| <b>Light distribution</b>    | [T-ASYM-A] , [T-CB-A] , [T-SYM-A]           |
| <b>Delivered lumens flux</b> | 25800 - 37768 lm                            |
| <b>Rated input power</b>     | 193 - 272 W                                 |
| <b>Color temperature</b>     | 3000 K CRI 70, 3000 K CRI 80, 4000 K CRI 70 |
| <b>Lifetime L90 (hour)</b>   | >102, 000                                   |
| <b>Lifetime L80 (hour)</b>   | >102, 000                                   |

## Options

|                       |               |
|-----------------------|---------------|
| <b>Control</b>        | On/Off, 0-10V |
| <b>Product colors</b> |               |

## Extras



|                                  |                       |
|----------------------------------|-----------------------|
| <b>External surge protection</b> | 10 kV                 |
| <b>Luminaire body options</b>    | Double powder coating |

## Technical information

|                              |   |
|------------------------------|---|
| <b>Mounting</b>              | Standard strap connection. Sliding mounting bracket is optional through extra |
| <b>Housing</b>               | Corrosion resistant, die-cast, marine grade aluminum housing                  |
| <b>Finishing</b>             | Chromate conversion pretreatment followed by electrostatic powder coating     |
| <b>Fasteners</b>             | Stainless steel (AISI 304 / EN 1.4301 grade)                                  |
| <b>Gasket</b>                | Silicone  |
| <b>Lens / Reflector</b>      | PMMA lens with high optical efficiency  |
| <b>Glass / Diffusor</b>      | Tempered safety glass   |
| <b>Impact protection</b>     | IK08  |
| <b>Ingress protection</b>    | IP66  |
| <b>Input voltage</b>         | 120-277V 50/60Hz  |
| <b>Insulation class</b>      | Class I   |
| <b>Weight</b>                | 41.34 lbs   |
| <b>LED module</b>            | High power LEDs on metal-core PCB   |
| <b>Driver</b>                | Internal LED driver   |
| <b>Through wiring</b>        | Single power cord entry   |
| <b>Operating temperature</b> | -40...50°C  |
| <b>Power cord</b>            | 40' of halogen-free power cord  |

|              |  |      |  |          |  |
|--------------|--|------|--|----------|--|
| Project name |  | Type |  | Quantity |  |
| Date         |  | Note |  |          |  |

**LT2037.888-US-** \_ \_ \_ \_ \_

| Light distribution  | Rated input power                                  | Color temperature   | Control   | Product colors  |
|---|--|---|---|---|
| <b>[T-ASYM-A]</b><br>Tunnel, Asymmetric, Type A<br><br><b>[T-CB-A]</b><br>Tunnel, Counter beam, Type A<br><br><b>[T-SYM-A]</b><br>Tunnel, Symmetric, Type A | <b>[500]</b><br>193 W<br><br><b>[700]</b><br>272 W | <b>[730]</b><br>3000 K CRI 70<br><br><b>[830]</b><br>3000 K CRI 80<br><br><b>[740]</b><br>4000 K CRI 70 | <b>[ONOFF]</b><br>On/Off<br><br><b>[0-10V]</b><br>0-10V | <b>[CC]</b> <br>Custom color (Please specify RAL code)<br><br><b>[7035]</b> <br>Light gray (RAL 7035) |
| <b>Extras</b>   |  |   |   |   |
| <b>External surge protection</b>  |  |   |   |   |
| <b>[SP10]</b><br>10 kV  |  |   |   |   |
| <b>Luminaire body options</b>   |  |   |   |   |
| <b>[DPC]</b><br>Double powder coating   |  |   |   |   |

| Configuration code             | Light distribution                    | Delivered lumens flux | Rated input power | Color temperature | Control       |
|--------------------------------|---------------------------------------|-----------------------|-------------------|-------------------|---------------|
| LT2037.888-US-T-ASYM-A-350-730 | [T-ASYM-A] Tunnel, Asymmetric, Type A |                       |                   | 3000 K CRI 70     | On/Off, 0-10V |
| LT2037.888-US-T-ASYM-A-350-740 | [T-ASYM-A] Tunnel, Asymmetric, Type A |                       |                   | 4000 K CRI 70     | On/Off, 0-10V |
| LT2037.888-US-T-ASYM-A-350-830 | [T-ASYM-A] Tunnel, Asymmetric, Type A |                       |                   | 3000 K CRI 80     | On/Off, 0-10V |
| LT2037.888-US-T-ASYM-A-500-730 | [T-ASYM-A] Tunnel, Asymmetric, Type A | 25898 lm              | 193 W             | 3000 K CRI 70     | On/Off, 0-10V |
| LT2037.888-US-T-ASYM-A-500-740 | [T-ASYM-A] Tunnel, Asymmetric, Type A | 27399 lm              | 193 W             | 4000 K CRI 70     | On/Off, 0-10V |
| LT2037.888-US-T-ASYM-A-700-730 | [T-ASYM-A] Tunnel, Asymmetric, Type A | 33400 lm              | 272 W             | 3000 K CRI 70     | On/Off, 0-10V |
| LT2037.888-US-T-ASYM-A-700-740 | [T-ASYM-A] Tunnel, Asymmetric, Type A | 35912 lm              | 272 W             | 4000 K CRI 70     | On/Off, 0-10V |
| LT2037.888-US-T-CB-A-350-730   | [T-CB-A] Tunnel, Counter beam, Type A |                       |                   | 3000 K CRI 70     | On/Off, 0-10V |
| LT2037.888-US-T-CB-A-350-740   | [T-CB-A] Tunnel, Counter beam, Type A |                       |                   | 4000 K CRI 70     | On/Off, 0-10V |
| LT2037.888-US-T-CB-A-350-830   | [T-CB-A] Tunnel, Counter beam, Type A |                       |                   | 3000 K CRI 80     | On/Off, 0-10V |
| LT2037.888-US-T-CB-A-500-730   | [T-CB-A] Tunnel, Counter beam, Type A | 27237 lm              | 193 W             | 3000 K CRI 70     | On/Off, 0-10V |
| LT2037.888-US-T-CB-A-500-740   | [T-CB-A] Tunnel, Counter beam, Type A | 28815 lm              | 193 W             | 4000 K CRI 70     | On/Off, 0-10V |
| LT2037.888-US-T-CB-A-700-730   | [T-CB-A] Tunnel, Counter beam, Type A | 35127 lm              | 272 W             | 3000 K CRI 70     | On/Off, 0-10V |
| LT2037.888-US-T-CB-A-700-740   | [T-CB-A] Tunnel, Counter beam, Type A | 37768 lm              | 272 W             | 4000 K CRI 70     | On/Off, 0-10V |
| LT2037.888-US-T-SYM-A-350-730  | [T-SYM-A] Tunnel, Symmetric, Type A   |                       |                   | 3000 K CRI 70     | On/Off, 0-10V |
| LT2037.888-US-T-SYM-A-350-740  | [T-SYM-A] Tunnel, Symmetric, Type A   |                       |                   | 4000 K CRI 70     | On/Off, 0-10V |
| LT2037.888-US-T-SYM-A-350-830  | [T-SYM-A] Tunnel, Symmetric, Type A   |                       |                   | 3000 K CRI 80     | On/Off, 0-10V |
| LT2037.888-US-T-SYM-A-500-730  | [T-SYM-A] Tunnel, Symmetric, Type A   | 25800 lm              | 193 W             | 3000 K CRI 70     | On/Off, 0-10V |
| LT2037.888-US-T-SYM-A-500-740  | [T-SYM-A] Tunnel, Symmetric, Type A   | 27295 lm              | 193 W             | 4000 K CRI 70     | On/Off, 0-10V |
| LT2037.888-US-T-SYM-A-700-730  | [T-SYM-A] Tunnel, Symmetric, Type A   | 33175 lm              | 272 W             | 3000 K CRI 70     | On/Off, 0-10V |
| LT2037.888-US-T-SYM-A-700-740  | [T-SYM-A] Tunnel, Symmetric, Type A   | 35695 lm              | 272 W             | 4000 K CRI 70     | On/Off, 0-10V |