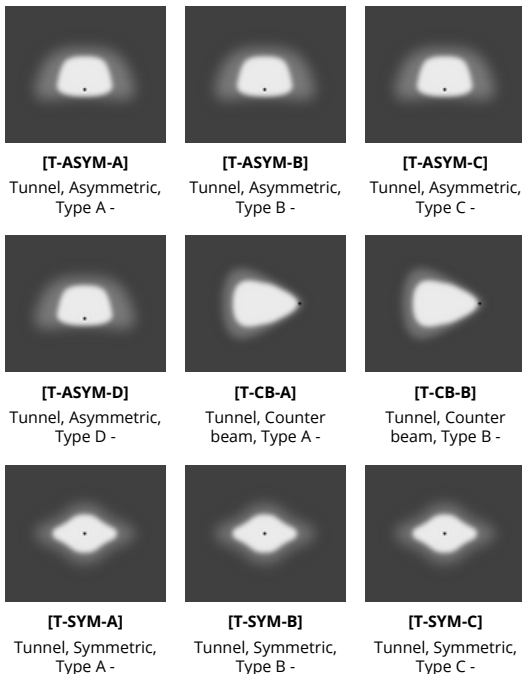
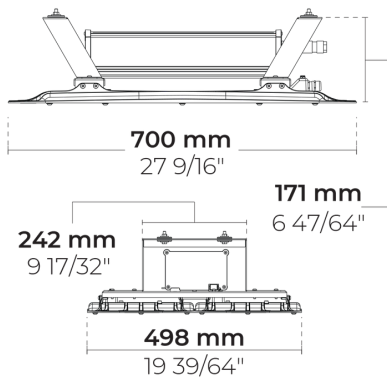


GOLEDO-T 128 LED

LT2037.888-EN



IK08 IP66



Variants

Light distribution	[T-ASYM-A] , [T-ASYM-B] , [T-ASYM-C] , [T-ASYM-D] , [T-CB-A] , [T-CB-B] , [T-SYM-A] , [T-SYM-B] , [T-SYM-C] , [T-SYM-D]
Delivered lumens flux	10140 - 41445 lm
Rated input power	63 - 274 W
Colour temperature	3000 K CRI 70, 3000 K CRI 80, 4000 K CRI 70
Lifetime L90B50 (hour)	>102, 000
Lifetime L80B50 (hour)	>102, 000

Options

Control	On/Off, 0-10V, DALI, AutoDIM, StepDIM *
Product colours	

Extras

External surge protection	10 kV
Light output	Constant light output
Consult the factory	Class II, 120-277V 50/60Hz
Luminaire body options	Double powder coating

Technical information

Mounting	Standard strap connection. Sliding mounting bracket is optional through extra
Housing	Corrosion resistant, die-cast, marine grade aluminum housing
Finishing	Chromate conversion pretreatment followed by electrostatic powder coating
Fasteners	Stainless steel (AISI 304 / EN 1.4301 grade)
Gasket	Silicone
Lens / Reflector	PMMA lens with high optical efficiency
Glass / Diffusor	Tempered safety glass
Impact protection	IK08
Ingress protection	IP66
Input voltage	220-240V 50/60Hz
Insulation class	Class I
Weight	18.75 kg
LED module	High power LEDs on metal-core PCB
Driver	Internal LED driver
Driver surge protection	10/6 kV
Power factor	> 0.95
Through wiring	Single cable entry
Operating temperature	-40...50°C
Cable	1 m of halogen-free cable
Notes	This product can be supplied with Insulation class (Class II) upon request. Please contact factory.

* Please check the specific variant for each control type.

HPR Pazarlama A.Ş.
Başkent OSB 22. Cd. No: 2, Malıköy, Temelli,
Sincan, 06909 Ankara, Turkey
+90 312 267 54 30
info@hepergroup.com

HEPER Europe GmbH
Ahornweg 5a, 58675
Hemer, Germany
+49 237 2901 2975
infoEU@hepergroup.com

We reserve the right to change specifications without prior written notice. Edition: 01.04.2024. For current version visit heperlighting.com. All flux (±%7 tolerance) and power values (±%10 tolerance) are derived following appropriate IES, CIE, and applicable standards.



[T-SYM-D]

Tunnel, Symmetric,
Type D -



HPR Pazarlama A.Ş.
Başkent OSB 22. Cd. No: 2, Malıköy, Temelli,
Sincan, 06909 Ankara, Turkey
+90 312 267 54 30
info@hepergroup.com

HEPER Europe GmbH
Ahornweg 5a, 58675
Hemer, Germany
+49 237 2901 2975
infoEU@hepergroup.com

We reserve the right to change specifications without prior written notice. Edition: 01.04.2024. For current version visit heperlighting.com. All flux ($\pm 7\%$ tolerance) and power values ($\pm 10\%$ tolerance) are derived following appropriate IES, CIE, and applicable standards.

Project name		Type		Quantity	
Date		Note			

LT2037.888-EN-____-____-____-____-____**-EN-C1-**____-____-____-____-____

Light distribution	Rated input power	Colour temperature	Control	Product colours
[T-ASYM-A] Tunnel, Asymmetric, Type A	[500] 63 W	[730] 3000 K CRI 70	[ONOFF] On/Off	[CC]  Custom colour (Please specify RAL code)
[T-ASYM-B] Tunnel, Asymmetric, Type B	[350] 123 W	[830] 3000 K CRI 80	[0-10V] 0-10V	[7035]  Light grey (RAL 7035)
[T-ASYM-C] Tunnel, Asymmetric, Type C	[350] 124 W	[740] 4000 K CRI 70	[DALI] DALI	
[T-ASYM-D] Tunnel, Asymmetric, Type D	[350] 125 W		[AUTO] AutoDIM	
[T-ASYM-D] Tunnel, Asymmetric, Type D	[350] 126 W		[STEP] StepDIM	
[T-CB-A] Tunnel, Counter beam, Type A	[350] 127 W			
[T-CB-B] Tunnel, Counter beam, Type B	[350] 128 W			
[T-CB-B] Tunnel, Counter beam, Type B	[500] 182 W			
[T-SYM-A] Tunnel, Symmetric, Type A	[500] 184 W			
[T-SYM-B] Tunnel, Symmetric, Type B	[500] 185 W			
[T-SYM-B] Tunnel, Symmetric, Type B	[500] 186 W			
[T-SYM-C] Tunnel, Symmetric, Type C	[500] 187 W			
[T-SYM-C] Tunnel, Symmetric, Type C	[500] 187 W			
[T-SYM-D] Tunnel, Symmetric, Type D	[500] 188 W			
[T-SYM-D] Tunnel, Symmetric, Type D	[500] 189 W			
	[700] 273 W			
	[700] 274 W			
Extras				

External surge protection
[SP10] 10 kV
Light output
[CLO] Constant light output
Consult the factory
[C2] Class II
[UNI] 120-277V 50/60Hz
Luminaire body options
[DPC] Double powder coating

Variant code	Light distribution	Delivered lumens flux	Rated input power	Colour temperature	Control
LT2037.888-EN-T-ASYM-A-350-730	[T-ASYM-A] Tunnel, Asymmetric, Type A	19693 lm	123 W	3000 K CRI 70	
LT2037.888-EN-T-ASYM-A-350-740	[T-ASYM-A] Tunnel, Asymmetric, Type A	22098 lm	127 W	4000 K CRI 70	
LT2037.888-EN-T-ASYM-A-350-830	[T-ASYM-A] Tunnel, Asymmetric, Type A			3000 K CRI 80	On/Off, 0-10V, DALI, AutoDIM, StepDIM
LT2037.888-EN-T-ASYM-A-500-730	[T-ASYM-A] Tunnel, Asymmetric, Type A	27305 lm	182 W	3000 K CRI 70	On/Off, 0-10V, DALI, AutoDIM, StepDIM
LT2037.888-EN-T-ASYM-A-500-740	[T-ASYM-A] Tunnel, Asymmetric, Type A	30520 lm	187 W	4000 K CRI 70	On/Off, 0-10V, DALI, AutoDIM, StepDIM
LT2037.888-EN-T-ASYM-A-700-730	[T-ASYM-A] Tunnel, Asymmetric, Type A	37930 lm	273 W	3000 K CRI 70	On/Off, 0-10V, DALI, AutoDIM, StepDIM
LT2037.888-EN-T-ASYM-A-700-740	[T-ASYM-A] Tunnel, Asymmetric, Type A	41190 lm	273 W	4000 K CRI 70	On/Off, 0-10V, DALI, AutoDIM, StepDIM
LT2037.888-EN-T-ASYM-B-350-730	[T-ASYM-B] Tunnel, Asymmetric, Type B	19291 lm	124 W	3000 K CRI 70	
LT2037.888-EN-T-ASYM-B-350-740	[T-ASYM-B] Tunnel, Asymmetric, Type B	21644 lm	125 W	4000 K CRI 70	
LT2037.888-EN-T-ASYM-B-500-730	[T-ASYM-B] Tunnel, Asymmetric, Type B	26745 lm	182 W	3000 K CRI 70	On/Off, 0-10V, DALI, AutoDIM, StepDIM
LT2037.888-EN-T-ASYM-B-500-740	[T-ASYM-B] Tunnel, Asymmetric, Type B	29895 lm	184 W	4000 K CRI 70	On/Off, 0-10V, DALI, AutoDIM, StepDIM
LT2037.888-EN-T-ASYM-B-700-730	[T-ASYM-B] Tunnel, Asymmetric, Type B	37150 lm	274 W	3000 K CRI 70	On/Off, 0-10V, DALI, AutoDIM, StepDIM
LT2037.888-EN-T-ASYM-B-700-740	[T-ASYM-B] Tunnel, Asymmetric, Type B	41070 lm	274 W	4000 K CRI 70	On/Off, 0-10V, DALI, AutoDIM, StepDIM
LT2037.888-EN-T-ASYM-C-350-730	[T-ASYM-C] Tunnel, Asymmetric, Type C	19779 lm	123 W	3000 K CRI 70	
LT2037.888-EN-T-ASYM-C-350-740	[T-ASYM-C] Tunnel, Asymmetric, Type C	22193 lm	127 W	4000 K CRI 70	
LT2037.888-EN-T-ASYM-C-500-730	[T-ASYM-C] Tunnel, Asymmetric, Type C	27420 lm	182 W	3000 K CRI 70	On/Off, 0-10V, DALI, AutoDIM, StepDIM
LT2037.888-EN-T-ASYM-C-500-740	[T-ASYM-C] Tunnel, Asymmetric, Type C	30650 lm	187 W	4000 K CRI 70	On/Off, 0-10V, DALI, AutoDIM, StepDIM
LT2037.888-EN-T-ASYM-C-700-730	[T-ASYM-C] Tunnel, Asymmetric, Type C	38095 lm	274 W	3000 K CRI 70	On/Off, 0-10V, DALI, AutoDIM, StepDIM
LT2037.888-EN-T-ASYM-C-700-740	[T-ASYM-C] Tunnel, Asymmetric, Type C	41445 lm	274 W	4000 K CRI 70	On/Off, 0-10V, DALI, AutoDIM, StepDIM
LT2037.888-EN-T-ASYM-D-350-730	[T-ASYM-D] Tunnel, Asymmetric, Type D	19779 lm	123 W	3000 K CRI 70	

LT2037.888-EN-T-ASYM-D-350-740	[T-ASYM-D] Tunnel, Asymmetric, Type D	21286 lm	128 W	4000 K CRI 70	
LT2037.888-EN-T-ASYM-D-500-730	[T-ASYM-D] Tunnel, Asymmetric, Type D	27420 lm	182 W	3000 K CRI 70	On/Off, 0-10V, DALI, AutoDIM, StepDIM
LT2037.888-EN-T-ASYM-D-500-740	[T-ASYM-D] Tunnel, Asymmetric, Type D	29400 lm	188 W	4000 K CRI 70	On/Off, 0-10V, DALI, AutoDIM, StepDIM
LT2037.888-EN-T-ASYM-D-700-730	[T-ASYM-D] Tunnel, Asymmetric, Type D	38095 lm	274 W	3000 K CRI 70	On/Off, 0-10V, DALI, AutoDIM, StepDIM
LT2037.888-EN-T-ASYM-D-700-740	[T-ASYM-D] Tunnel, Asymmetric, Type D	39585 lm	274 W	4000 K CRI 70	On/Off, 0-10V, DALI, AutoDIM, StepDIM
LT2037.888-EN-T-CB-A-350-730	[T-CB-A] Tunnel, Counter beam, Type A	19653 lm	123 W	3000 K CRI 70	
LT2037.888-EN-T-CB-A-350-740	[T-CB-A] Tunnel, Counter beam, Type A	22050 lm	128 W	4000 K CRI 70	
LT2037.888-EN-T-CB-A-350-830	[T-CB-A] Tunnel, Counter beam, Type A			3000 K CRI 80	On/Off, 0-10V, DALI, AutoDIM, StepDIM
LT2037.888-EN-T-CB-A-500-730	[T-CB-A] Tunnel, Counter beam, Type A	27245 lm	182 W	3000 K CRI 70	On/Off, 0-10V, DALI, AutoDIM, StepDIM
LT2037.888-EN-T-CB-A-500-740	[T-CB-A] Tunnel, Counter beam, Type A	30455 lm	189 W	4000 K CRI 70	On/Off, 0-10V, DALI, AutoDIM, StepDIM
LT2037.888-EN-T-CB-A-700-730	[T-CB-A] Tunnel, Counter beam, Type A	37845 lm	273 W	3000 K CRI 70	On/Off, 0-10V, DALI, AutoDIM, StepDIM
LT2037.888-EN-T-CB-A-700-740	[T-CB-A] Tunnel, Counter beam, Type A	40795 lm	273 W	4000 K CRI 70	On/Off, 0-10V, DALI, AutoDIM, StepDIM
LT2037.888-EN-T-CB-B-350-730	[T-CB-B] Tunnel, Counter beam, Type B	19035 lm	123 W	3000 K CRI 70	
LT2037.888-EN-T-CB-B-350-740	[T-CB-B] Tunnel, Counter beam, Type B	21359 lm	128 W	4000 K CRI 70	
LT2037.888-EN-T-CB-B-500-730	[T-CB-B] Tunnel, Counter beam, Type B	26385 lm	182 W	3000 K CRI 70	On/Off, 0-10V, DALI, AutoDIM, StepDIM
LT2037.888-EN-T-CB-B-500-740	[T-CB-B] Tunnel, Counter beam, Type B	29500 lm	189 W	4000 K CRI 70	On/Off, 0-10V, DALI, AutoDIM, StepDIM
LT2037.888-EN-T-CB-B-700-730	[T-CB-B] Tunnel, Counter beam, Type B	36660 lm	273 W	3000 K CRI 70	On/Off, 0-10V, DALI, AutoDIM, StepDIM
LT2037.888-EN-T-CB-B-700-740	[T-CB-B] Tunnel, Counter beam, Type B	39605 lm	273 W	4000 K CRI 70	On/Off, 0-10V, DALI, AutoDIM, StepDIM
LT2037.888-EN-T-SYM-A-350-730	[T-SYM-A] Tunnel, Symmetric, Type A	19397 lm	124 W	3000 K CRI 70	
LT2037.888-EN-T-SYM-A-350-740	[T-SYM-A] Tunnel, Symmetric, Type A	21764 lm	126 W	4000 K CRI 70	
LT2037.888-EN-T-SYM-A-350-830	[T-SYM-A] Tunnel, Symmetric, Type A			3000 K CRI 80	On/Off, 0-10V, DALI, AutoDIM, StepDIM

HPR Pazarlama A.Ş.

Başkent OSB 22. Cd. No: 2, Malıköy, Temelli,
Sincan, 06909 Ankara, Turkey
+90 312 267 54 30
info@hepergroup.com

HEPER Europe GmbH

Ahornweg 5a, 58675
Hemer, Germany
+49 237 2901 2975
infoEU@hepergroup.com

We reserve the right to change specifications without prior written notice. Edition: 01.04.2024.
For current version visit heperlighting.com. All flux (±%7 tolerance) and power values (±%10 tolerance) are derived following appropriate IES, CIE, and applicable standards.

LT2037.888-EN-T-SYM-A-500-730	[T-SYM-A] Tunnel, Symmetric, Type A	26885 lm	182 W	3000 K CRI 70	On/Off, 0-10V, DALI, AutoDIM, StepDIM
LT2037.888-EN-T-SYM-A-500-740	[T-SYM-A] Tunnel, Symmetric, Type A	30060 lm	186 W	4000 K CRI 70	On/Off, 0-10V, DALI, AutoDIM, StepDIM
LT2037.888-EN-T-SYM-A-700-730	[T-SYM-A] Tunnel, Symmetric, Type A	37355 lm	274 W	3000 K CRI 70	On/Off, 0-10V, DALI, AutoDIM, StepDIM
LT2037.888-EN-T-SYM-A-700-740	[T-SYM-A] Tunnel, Symmetric, Type A	40945 lm	274 W	4000 K CRI 70	On/Off, 0-10V, DALI, AutoDIM, StepDIM
LT2037.888-EN-T-SYM-B-350-730	[T-SYM-B] Tunnel, Symmetric, Type B	19185 lm	123 W	3000 K CRI 70	
LT2037.888-EN-T-SYM-B-350-740	[T-SYM-B] Tunnel, Symmetric, Type B	21528 lm	126 W	4000 K CRI 70	
LT2037.888-EN-T-SYM-B-500-730	[T-SYM-B] Tunnel, Symmetric, Type B	26595 lm	182 W	3000 K CRI 70	On/Off, 0-10V, DALI, AutoDIM, StepDIM
LT2037.888-EN-T-SYM-B-500-740	[T-SYM-B] Tunnel, Symmetric, Type B	29730 lm	185 W	4000 K CRI 70	On/Off, 0-10V, DALI, AutoDIM, StepDIM
LT2037.888-EN-T-SYM-B-700-730	[T-SYM-B] Tunnel, Symmetric, Type B	36945 lm	273 W	3000 K CRI 70	On/Off, 0-10V, DALI, AutoDIM, StepDIM
LT2037.888-EN-T-SYM-B-700-740	[T-SYM-B] Tunnel, Symmetric, Type B	40530 lm	273 W	4000 K CRI 70	On/Off, 0-10V, DALI, AutoDIM, StepDIM
LT2037.888-EN-T-SYM-C-350-730	[T-SYM-C] Tunnel, Symmetric, Type C	19503 lm	123 W	3000 K CRI 70	
LT2037.888-EN-T-SYM-C-350-740	[T-SYM-C] Tunnel, Symmetric, Type C	21885 lm	127 W	4000 K CRI 70	
LT2037.888-EN-T-SYM-C-500-730	[T-SYM-C] Tunnel, Symmetric, Type C	27035 lm	182 W	3000 K CRI 70	On/Off, 0-10V, DALI, AutoDIM, StepDIM
LT2037.888-EN-T-SYM-C-500-740	[T-SYM-C] Tunnel, Symmetric, Type C	10140 lm	63 W	4000 K CRI 70	On/Off, 0-10V, DALI, AutoDIM, StepDIM
LT2037.888-EN-T-SYM-C-700-730	[T-SYM-C] Tunnel, Symmetric, Type C	37560 lm	273 W	3000 K CRI 70	On/Off, 0-10V, DALI, AutoDIM, StepDIM
LT2037.888-EN-T-SYM-C-700-740	[T-SYM-C] Tunnel, Symmetric, Type C	41040 lm	273 W	4000 K CRI 70	On/Off, 0-10V, DALI, AutoDIM, StepDIM
LT2037.888-EN-T-SYM-D-350-730	[T-SYM-D] Tunnel, Symmetric, Type D	18823 lm	124 W	3000 K CRI 70	
LT2037.888-EN-T-SYM-D-350-740	[T-SYM-D] Tunnel, Symmetric, Type D	21121 lm	127 W	4000 K CRI 70	
LT2037.888-EN-T-SYM-D-500-730	[T-SYM-D] Tunnel, Symmetric, Type D	18245 lm	128 W	3000 K CRI 70	On/Off, 0-10V, DALI, AutoDIM, StepDIM
LT2037.888-EN-T-SYM-D-500-740	[T-SYM-D] Tunnel, Symmetric, Type D	29165 lm	187 W	4000 K CRI 70	On/Off, 0-10V, DALI, AutoDIM, StepDIM

HPR Pazarlama A.Ş.

Başkent OSB 22. Cd. No: 2, Malıköy, Temelli,
Sincan, 06909 Ankara, Turkey
+90 312 267 54 30
info@hepergroup.com

HEPER Europe GmbH

Ahornweg 5a, 58675
Hemer, Germany
+49 237 2901 2975
infoEU@hepergroup.com

We reserve the right to change specifications without prior written notice. Edition: 01.04.2024.
For current version visit heperlighting.com. All flux (±%7 tolerance) and power values (±%10 tolerance) are derived following appropriate IES, CIE, and applicable standards.

LT2037.888-EN-T-SYM-D-700-730	[T-SYM-D] Tunnel, Symmetric, Type D	36250 lm	274 W	3000 K CRI 70	On/Off, 0-10V, DALI, AutoDIM, StepDIM
LT2037.888-EN-T-SYM-D-700-740	[T-SYM-D] Tunnel, Symmetric, Type D	39530 lm	274 W	4000 K CRI 70	On/Off, 0-10V, DALI, AutoDIM, StepDIM