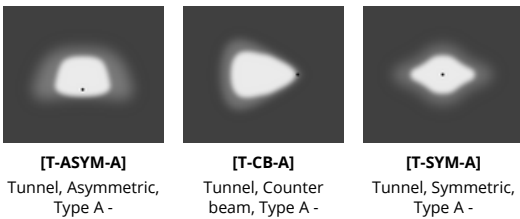
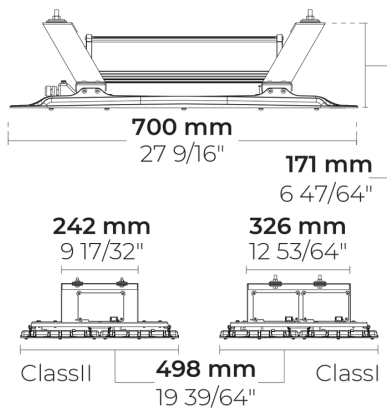


GOLEDO-T 192 LED

LT2037.887-US



Configurations

Light distribution	[T-ASYM-A] , [T-CB-A] , [T-SYM-A]
Delivered lumens flux	38700 - 56652 lm
Rated input power	290 - 409 W
Color temperature	3000 K CRI 70, 3000 K CRI 80, 4000 K CRI 70
Lifetime L90 (hour)	>102, 000
Lifetime L80 (hour)	>102, 000

Options

Control	On/Off, 0-10V
Product colors	

Extras



External surge protection	10 kV
Luminaire body options	Double powder coating

Technical information

Mounting	Standard strap connection. Sliding mounting bracket is optional through extra
Housing	Corrosion resistant, die-cast, marine grade aluminum housing
Finishing	Chromate conversion pretreatment followed by electrostatic powder coating
Fasteners	Stainless steel (AISI 304 / EN 1.4301 grade)
Gasket	Silicone
Lens / Reflector	PMMA lens with high optical efficiency
Glass / Diffusor	Tempered safety glass
Impact protection	IK08
Ingress protection	IP66
Input voltage	120-277V 50/60Hz
Insulation class	Class I
Weight	41.34 lbs
LED module	High power LEDs on metal-core PCB
Driver	Internal LED driver
Through wiring	Single power cord entry
Operating temperature	-40...50°C
Power cord	40' of halogen-free power cord

Project name		Type		Quantity	
Date		Note			

LT2037.887-US- _ _ _ _ _

Light distribution	Rated input power	Color temperature	Control	Product colors
[T-ASYM-A] Tunnel, Asymmetric, Type A [T-CB-A] Tunnel, Counter beam, Type A [T-SYM-A] Tunnel, Symmetric, Type A	[500] 290 W [700] 409 W	[730] 3000 K CRI 70 [830] 3000 K CRI 80 [740] 4000 K CRI 70	[ONOFF] On/Off [0-10V] 0-10V	[CC]  Custom color (Please specify RAL code) [7035]  Light gray (RAL 7035)
Extras				
External surge protection				
[SP10] 10 kV				
Luminaire body options				
[DPC] Double powder coating				

Configuration code	Light distribution	Delivered lumens flux	Rated input power	Color temperature	Control
LT2037.887-US-T-ASYM-A-350-730	[T-ASYM-A] Tunnel, Asymmetric, Type A			3000 K CRI 70	On/Off, 0-10V
LT2037.887-US-T-ASYM-A-350-740	[T-ASYM-A] Tunnel, Asymmetric, Type A			4000 K CRI 70	On/Off, 0-10V
LT2037.887-US-T-ASYM-A-350-830	[T-ASYM-A] Tunnel, Asymmetric, Type A			3000 K CRI 80	On/Off, 0-10V
LT2037.887-US-T-ASYM-A-500-730	[T-ASYM-A] Tunnel, Asymmetric, Type A	38848 lm	290 W	3000 K CRI 70	On/Off, 0-10V
LT2037.887-US-T-ASYM-A-500-740	[T-ASYM-A] Tunnel, Asymmetric, Type A	41098 lm	290 W	4000 K CRI 70	On/Off, 0-10V
LT2037.887-US-T-ASYM-A-700-730	[T-ASYM-A] Tunnel, Asymmetric, Type A	50101 lm	409 W	3000 K CRI 70	On/Off, 0-10V
LT2037.887-US-T-ASYM-A-700-740	[T-ASYM-A] Tunnel, Asymmetric, Type A	53868 lm	409 W	4000 K CRI 70	On/Off, 0-10V
LT2037.887-US-T-CB-A-350-730	[T-CB-A] Tunnel, Counter beam, Type A			3000 K CRI 70	On/Off, 0-10V
LT2037.887-US-T-CB-A-350-740	[T-CB-A] Tunnel, Counter beam, Type A			4000 K CRI 70	On/Off, 0-10V
LT2037.887-US-T-CB-A-350-830	[T-CB-A] Tunnel, Counter beam, Type A			3000 K CRI 80	On/Off, 0-10V
LT2037.887-US-T-CB-A-500-730	[T-CB-A] Tunnel, Counter beam, Type A	40855 lm	290 W	3000 K CRI 70	On/Off, 0-10V
LT2037.887-US-T-CB-A-500-740	[T-CB-A] Tunnel, Counter beam, Type A	43222 lm	290 W	4000 K CRI 70	On/Off, 0-10V
LT2037.887-US-T-CB-A-700-730	[T-CB-A] Tunnel, Counter beam, Type A	52690 lm	409 W	3000 K CRI 70	On/Off, 0-10V
LT2037.887-US-T-CB-A-700-740	[T-CB-A] Tunnel, Counter beam, Type A	56652 lm	409 W	4000 K CRI 70	On/Off, 0-10V
LT2037.887-US-T-SYM-A-350-730	[T-SYM-A] Tunnel, Symmetric, Type A			3000 K CRI 70	On/Off, 0-10V
LT2037.887-US-T-SYM-A-350-740	[T-SYM-A] Tunnel, Symmetric, Type A			4000 K CRI 70	On/Off, 0-10V
LT2037.887-US-T-SYM-A-350-830	[T-SYM-A] Tunnel, Symmetric, Type A			3000 K CRI 80	On/Off, 0-10V
LT2037.887-US-T-SYM-A-500-730	[T-SYM-A] Tunnel, Symmetric, Type A	38700 lm	290 W	3000 K CRI 70	On/Off, 0-10V
LT2037.887-US-T-SYM-A-500-740	[T-SYM-A] Tunnel, Symmetric, Type A	40943 lm	290 W	4000 K CRI 70	On/Off, 0-10V
LT2037.887-US-T-SYM-A-700-730	[T-SYM-A] Tunnel, Symmetric, Type A	49765 lm	409 W	3000 K CRI 70	On/Off, 0-10V
LT2037.887-US-T-SYM-A-700-740	[T-SYM-A] Tunnel, Symmetric, Type A	53542 lm	409 W	4000 K CRI 70	On/Off, 0-10V