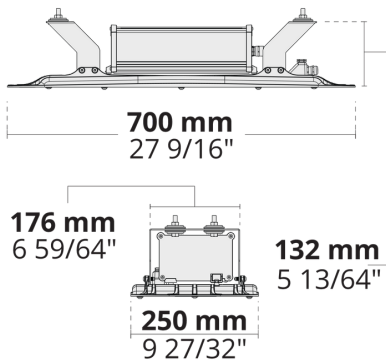


# GOLEDO-T 64 LED

LT2037.884-US



## Configurations

### Options

**Control**

On/Off, 0-10V

**Product colors**



### Extras

**External surge protection**

10 kV

**Luminaire body options**

Double powder coating

## Technical information

### Mounting

Standard strap connection. Sliding mounting bracket is optional through extra

### Housing

Corrosion resistant, die-cast, marine grade aluminum housing

### Finishing

Chromate conversion pretreatment followed by electrostatic powder coating

### Fasteners

Stainless steel (AISI 304 / EN 1.4301 grade)

### Gasket

Silicone

### Lens / Reflector

PMMA lens with high optical efficiency

### Glass / Diffusor

Tempered safety glass

### Impact protection

IK08

### Ingress protection

IP66

### Input voltage

120-277V 50/60Hz

### Insulation class

Class I

### Weight

22.1 lbs

### LED module

High power LEDs on metal-core PCB

### Driver

Internal LED driver

### Through wiring

Single power cord entry

### Operating temperature

-40...50°C

### Power cord

40" of halogen-free power cord

HEPER USA LLC

W227 N546 Westmound Drive Waukesha, 53186



Wisconsin, United States

+1 312 910 9740

infoUS@hepergroup.com

We reserve the right to change specifications without prior written notice. Edition: 10.08.2023. For current version visit [heperlighting.com](http://heperlighting.com). All flux ( $\pm 7\%$  tolerance) and power values ( $\pm 10\%$  tolerance) are derived following appropriate IES, CIE, and applicable standards.

Project name		Type		Quantity	
Date		Note			
<b>LT2037.884-US-</b> ____-____-____-____-____-____-____-____					

Light distribution	Rated input power	Color temperature	Control	Product colors
			<b>[ONOFF]</b> On/Off  <b>[0-10V]</b> 0-10V	<b>[CC]</b>  Custom color (Please specify RAL code)  <b>[7035]</b>  Light gray (RAL 7035)

<b>Extras</b>
<b>External surge protection</b>
<b>[SP10]</b> 10 kV
<b>Luminaire body options</b>
<b>[DPC]</b> Double powder coating