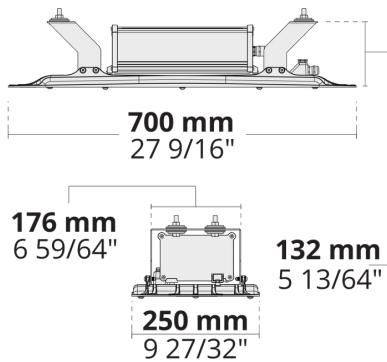
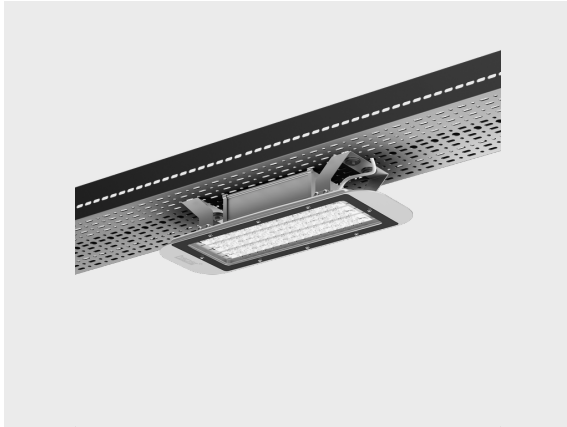


GOLEDO-T 48 LED

LT2037.883-US



Configurations

Options

Control

On/Off, 0-10V

Product colors



Extras

External surge protection

10 kV

Luminaire body options

Double powder coating

Technical information

Mounting

Standard strap connection. Sliding mounting bracket is optional through extra

Housing

Corrosion resistant, die-cast, marine grade aluminum housing

Finishing

Chromate conversion pretreatment followed by electrostatic powder coating

Fasteners

Stainless steel (AISI 304 / EN 1.4301 grade)

Gasket

Silicone

Lens / Reflector

PMMA lens with high optical efficiency

Glass / Diffusor

Tempered safety glass

Impact protection

IK08

Ingress protection

IP66

Input voltage

120-277V 50/60Hz

Insulation class

Class I

Weight

19.8 lbs

LED module

High power LEDs on metal-core PCB

Driver

Internal LED driver

Through wiring

Single power cord entry

Operating temperature

-40...50°C

Power cord

40" of halogen-free power cord

HEPER USA LLC

W227 N546 Westmound Drive Waukesha, 53186



Wisconsin, United States

+1 312 910 9740

infoUS@hepergroup.com

We reserve the right to change specifications without prior written notice. Edition: 10.08.2023. For current version visit heperlighting.com. All flux ($\pm 7\%$ tolerance) and power values ($\pm 10\%$ tolerance) are derived following appropriate IES, CIE, and applicable standards.

Project name		Type		Quantity	
Date		Note			
LT2037.883-US- ____-____-____-____-____-____-____					

Light distribution	Rated input power	Color temperature	Control	Product colors
			[ONOFF] On/Off [0-10V] 0-10V	[CC]  Custom color (Please specify RAL code) [7035]  Light gray (RAL 7035)

Extras
External surge protection
[SP10] 10 kV
Luminaire body options
[DPC] Double powder coating