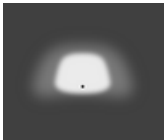
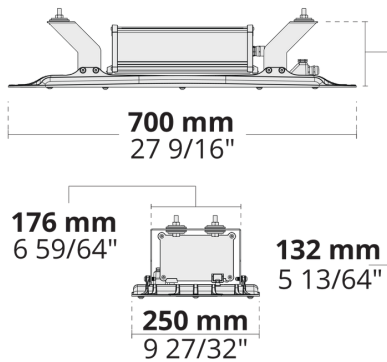


GOLEDO-T 32 LED

LT2037.882-US



[T-ASYM-A]
Tunnel, Asymmetric,
Type A -



[T-CB-A]
Tunnel, Counter
beam, Type A -



[T-SYM-A]
Tunnel, Symmetric,
Type A -

Configurations

Light distribution	[T-ASYM-A] , [T-CB-A] , [T-SYM-A]
Delivered lumens flux	5852 - 9442 lm
Rated input power	33 - 68 W
Color temperature	3000 K CRI 70, 3000 K CRI 80, 4000 K CRI 70
BUG rating	B3-U0-G3, B4-U0-G4
Lifetime L90 (hour)	>102, 000
Lifetime L80 (hour)	>102, 000

Options

Control	On/Off, 0-10V *
Product colors	

Extras

External surge protection	10 kV
Luminaire body options	Double powder coating



Technical information

Mounting	Standard strap connection. Sliding mounting bracket is optional through extra
Housing	Corrosion resistant, die-cast, marine grade aluminum housing
Finishing	Chromate conversion pretreatment followed by electrostatic powder coating
Fasteners	Stainless steel (AISI 304 / EN 1.4301 grade)
Gasket	Silicone
Lens / Reflector	PMMA lens with high optical efficiency
Glass / Diffuser	Tempered safety glass
Impact protection	IK08
Ingress protection	IP66
Input voltage	120-277V 50/60Hz
Insulation class	Class I
Weight	19.5 lbs
LED module	High power LEDs on metal-core PCB
Driver	Internal LED driver
Through wiring	Single power cord entry
Operating temperature	-40...50°C
Power cord	40" of halogen-free power cord

* Please check the specific variant for each control type.

Project name		Type		Quantity	
Date		Note			

LT2037.882-US-____-____-____-____-____-____

Light distribution	Rated input power	Color temperature	Control	Product colors
[T-ASYM-A] Tunnel, Asymmetric, Type A	[350] 33 W	[730] 3000 K CRI 70	[ONOFF] On/Off	[CC]  Custom color (Please specify RAL code)
[T-CB-A] Tunnel, Counter beam, Type A	[500] 46 W	[830] 3000 K CRI 80	[0-10V] 0-10V	[7035]  Light gray (RAL 7035)
[T-SYM-A] Tunnel, Symmetric, Type A	[500] 47 W [500] 48 W [700] 68 W	[740] 4000 K CRI 70		
Extras				
External surge protection				
[SP10] 10 kV				
Luminaire body options				
[DPC] Double powder coating				

Configuration code	Light distribution	Delivered lumens flux	Rated input power	Color temperature	Control
LT2037.882-US-T-ASYM-A-350-730	[T-SYM-A] Tunnel, Symmetric, Type A			3000 K CRI 70	On/Off, 0-10V
LT2037.882-US-T-ASYM-A-350-740	[T-ASYM-A] Tunnel, Asymmetric, Type A	5852 lm	33 W	4000 K CRI 70	
LT2037.882-US-T-ASYM-A-350-830	[T-ASYM-A] Tunnel, Asymmetric, Type A			3000 K CRI 80	On/Off, 0-10V
LT2037.882-US-T-ASYM-A-500-730	[T-ASYM-A] Tunnel, Asymmetric, Type A	6475 lm	48 W	3000 K CRI 70	On/Off, 0-10V
LT2037.882-US-T-ASYM-A-500-740	[T-ASYM-A] Tunnel, Asymmetric, Type A	7630 lm	47 W	4000 K CRI 70	On/Off, 0-10V, DALI, AutoDIM, StepDIM
LT2037.882-US-T-ASYM-A-700-740	[T-ASYM-A] Tunnel, Asymmetric, Type A	8978 lm	68 W	4000 K CRI 70	On/Off, 0-10V
LT2037.882-US-T-CB-A-350-730	[T-CB-A] Tunnel, Counter beam, Type A			3000 K CRI 70	On/Off, 0-10V
LT2037.882-US-T-CB-A-350-740	[T-CB-A] Tunnel, Counter beam, Type A	5923 lm	33 W	4000 K CRI 70	
LT2037.882-US-T-CB-A-350-830	[T-CB-A] Tunnel, Counter beam, Type A			3000 K CRI 80	On/Off, 0-10V
LT2037.882-US-T-CB-A-500-730	[T-CB-A] Tunnel, Counter beam, Type A	6809 lm	48 W	3000 K CRI 70	On/Off, 0-10V
LT2037.882-US-T-CB-A-500-740	[T-CB-A] Tunnel, Counter beam, Type A	7615 lm	46 W	4000 K CRI 70	On/Off, 0-10V, DALI, AutoDIM, StepDIM
LT2037.882-US-T-CB-A-700-730	[T-CB-A] Tunnel, Counter beam, Type A	8782 lm	68 W	3000 K CRI 70	On/Off, 0-10V
LT2037.882-US-T-CB-A-700-740	[T-CB-A] Tunnel, Counter beam, Type A	9442 lm	68 W	4000 K CRI 70	On/Off, 0-10V
LT2037.882-US-T-SYM-A-350-730	[T-SYM-A] Tunnel, Symmetric, Type A			3000 K CRI 70	On/Off, 0-10V
LT2037.882-US-T-SYM-A-350-740	[T-SYM-A] Tunnel, Symmetric, Type A	5856 lm	33 W	4000 K CRI 70	
LT2037.882-US-T-SYM-A-350-830	[T-SYM-A] Tunnel, Symmetric, Type A			3000 K CRI 80	On/Off, 0-10V
LT2037.882-US-T-SYM-A-500-730	[T-SYM-A] Tunnel, Symmetric, Type A	6450 lm	48 W	3000 K CRI 70	On/Off, 0-10V
LT2037.882-US-T-SYM-A-500-740	[T-SYM-A] Tunnel, Symmetric, Type A	7515 lm	46 W	4000 K CRI 70	On/Off, 0-10V, DALI, AutoDIM, StepDIM
LT2037.882-US-T-SYM-A-700-730	[T-SYM-A] Tunnel, Symmetric, Type A	8295 lm	68 W	3000 K CRI 70	On/Off, 0-10V
LT2037.882-US-T-SYM-A-700-740	[T-SYM-A] Tunnel, Symmetric, Type A	8925 lm	68 W	4000 K CRI 70	On/Off, 0-10V