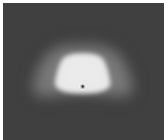
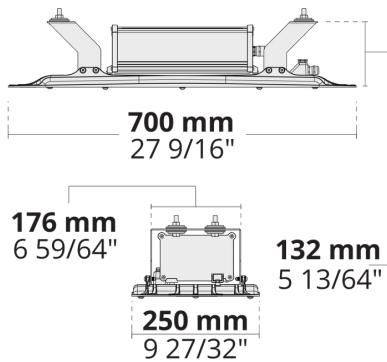
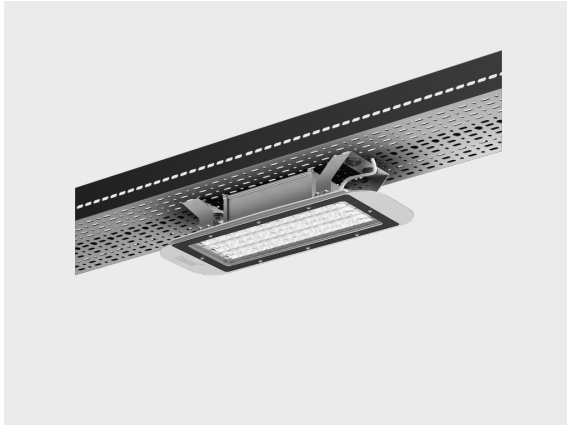


# GOLEDO-T 16 LED

LT2037.881-US



**[T-ASYM-A]**  
Tunnel, Asymmetric,  
Type A -



**[T-CB-A]**  
Tunnel, Counter  
beam, Type A -



**[T-SYM-A]**  
Tunnel, Symmetric,  
Type A -

## Configurations

<b>Light distribution</b>	[T-ASYM-A] , [T-CB-A] , [T-SYM-A]
<b>Delivered lumens flux</b>	2719 - 4641 lm
<b>Rated input power</b>	16 - 33 W
<b>Color temperature</b>	3000 K CRI 70, 3000 K CRI 80, 4000 K CRI 70
<b>BUG rating</b>	B3-U0-G3
<b>Lifetime L90 (hour)</b>	>102, 000
<b>Lifetime L80 (hour)</b>	>102, 000

## Options

<b>Control</b>	On/Off, 0-10V *
<b>Product colors</b>	

## Extras

<b>External surge protection</b>	10 kV
<b>Luminaire body options</b>	Double powder coating



## Technical information

<b>Mounting</b>	Standard strap connection. Sliding mounting bracket is optional through extra
<b>Housing</b>	Corrosion resistant, die-cast, marine grade aluminum housing
<b>Finishing</b>	Chromate conversion pretreatment followed by electrostatic powder coating
<b>Fasteners</b>	Stainless steel (AISI 304 / EN 1.4301 grade)
<b>Gasket</b>	Silicone
<b>Lens / Reflector</b>	PMMA lens with high optical efficiency
<b>Glass / Diffusor</b>	Tempered safety glass
<b>Impact protection</b>	IK08
<b>Ingress protection</b>	IP66
<b>Input voltage</b>	120-277V 50/60Hz
<b>Insulation class</b>	Class I
<b>Weight</b>	19.5 lbs
<b>LED module</b>	High power LEDs on metal-core PCB
<b>Driver</b>	Internal LED driver
<b>Through wiring</b>	Single power cord entry
<b>Operating temperature</b>	-40...50°C
<b>Power cord</b>	40" of halogen-free power cord

\* Please check the specific variant for each control type.

Project name		Type		Quantity	
Date		Note			

**LT2037.881-US-** \_ \_ \_ \_ \_

Light distribution	Rated input power	Color temperature	Control	Product colors
<b>[T-ASYM-A]</b> Tunnel, Asymmetric, Type A  <b>[T-CB-A]</b> Tunnel, Counter beam, Type A  <b>[T-SYM-A]</b> Tunnel, Symmetric, Type A	<b>[350]</b> 16 W  <b>[350]</b> 24 W  <b>[350]</b> 33 W	<b>[730]</b> 3000 K CRI 70  <b>[830]</b> 3000 K CRI 80  <b>[740]</b> 4000 K CRI 70	<b>[ONOFF]</b> On/Off  <b>[0-10V]</b> 0-10V	<b>[CC]</b>  Custom color (Please specify RAL code)  <b>[7035]</b>  Light gray (RAL 7035)
<b>Extras</b>				
<b>External surge protection</b>				
<b>[SP10]</b> 10 kV				
<b>Luminaire body options</b>				
<b>[DPC]</b> Double powder coating				

Configuration code	Light distribution	Delivered lumens flux	Rated input power	Color temperature	Control
LT2037.881-US-T-ASYM-A-350-730	[T-ASYM-A] Tunnel, Asymmetric, Type A			3000 K CRI 70	On/Off, 0-10V
LT2037.881-US-T-ASYM-A-350-740	[T-ASYM-A] Tunnel, Asymmetric, Type A	2763 lm	16 W	4000 K CRI 70	On/Off, 0-10V, DALI, AutoDIM, StepDIM
LT2037.881-US-T-ASYM-A-350-830	[T-ASYM-A] Tunnel, Asymmetric, Type A			3000 K CRI 80	On/Off, 0-10V
LT2037.881-US-T-ASYM-A-500-730	[T-ASYM-A] Tunnel, Asymmetric, Type A	3176 lm	24 W	3000 K CRI 70	On/Off, 0-10V
LT2037.881-US-T-ASYM-A-500-740	[T-ASYM-A] Tunnel, Asymmetric, Type A	3815 lm	24 W	4000 K CRI 70	On/Off, 0-10V, DALI, AutoDIM, StepDIM
LT2037.881-US-T-ASYM-A-700-730	[T-ASYM-A] Tunnel, Asymmetric, Type A	4304 lm	33 W	3000 K CRI 70	On/Off, 0-10V
LT2037.881-US-T-ASYM-A-700-740	[T-ASYM-A] Tunnel, Asymmetric, Type A	4584 lm	33 W	4000 K CRI 70	On/Off, 0-10V
LT2037.881-US-T-CB-A-350-730	[T-CB-A] Tunnel, Counter beam, Type A			3000 K CRI 70	On/Off, 0-10V
LT2037.881-US-T-CB-A-350-740	[T-CB-A] Tunnel, Counter beam, Type A	2758 lm	16 W	4000 K CRI 70	On/Off, 0-10V, DALI, AutoDIM, StepDIM
LT2037.881-US-T-CB-A-350-830	[T-CB-A] Tunnel, Counter beam, Type A			3000 K CRI 80	On/Off, 0-10V
LT2037.881-US-T-CB-A-500-730	[T-CB-A] Tunnel, Counter beam, Type A	3295 lm	24 W	3000 K CRI 70	On/Off, 0-10V
LT2037.881-US-T-CB-A-500-740	[T-CB-A] Tunnel, Counter beam, Type A	3805 lm	24 W	4000 K CRI 70	On/Off, 0-10V, DALI, AutoDIM, StepDIM
LT2037.881-US-T-CB-A-700-730	[T-CB-A] Tunnel, Counter beam, Type A	4358 lm	33 W	3000 K CRI 70	On/Off, 0-10V
LT2037.881-US-T-CB-A-700-740	[T-CB-A] Tunnel, Counter beam, Type A	4641 lm	33 W	4000 K CRI 70	On/Off, 0-10V
LT2037.881-US-T-SYM-A-350-730	[T-ASYM-A] Tunnel, Asymmetric, Type A			3000 K CRI 70	On/Off, 0-10V
LT2037.881-US-T-SYM-A-350-740	[T-SYM-A] Tunnel, Symmetric, Type A	2719 lm	16 W	4000 K CRI 70	On/Off, 0-10V, DALI, AutoDIM, StepDIM
LT2037.881-US-T-SYM-A-350-830	[T-ASYM-A] Tunnel, Asymmetric, Type A			3000 K CRI 80	On/Off, 0-10V
LT2037.881-US-T-SYM-A-500-730	[T-SYM-A] Tunnel, Symmetric, Type A	3216 lm	24 W	3000 K CRI 70	On/Off, 0-10V
LT2037.881-US-T-SYM-A-500-740	[T-SYM-A] Tunnel, Symmetric, Type A	3760 lm	24 W	4000 K CRI 70	On/Off, 0-10V, DALI, AutoDIM, StepDIM
LT2037.881-US-T-SYM-A-700-730	[T-SYM-A] Tunnel, Symmetric, Type A	4641 lm	33 W	3000 K CRI 70	On/Off, 0-10V
LT2037.881-US-T-SYM-A-700-740	[T-SYM-A] Tunnel, Symmetric, Type A	4066 lm	33 W	4000 K CRI 70	On/Off, 0-10V