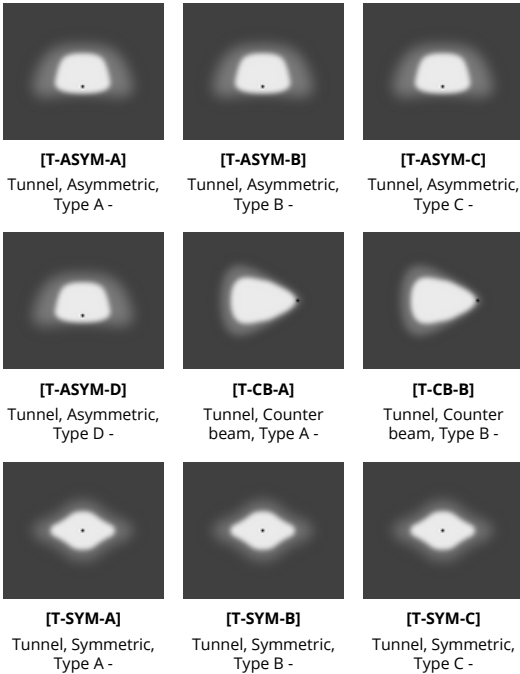
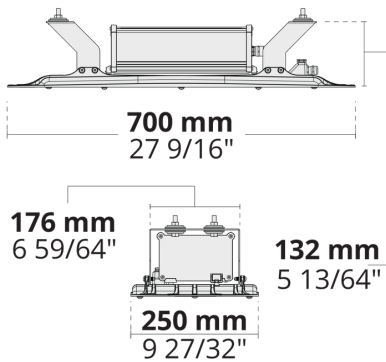
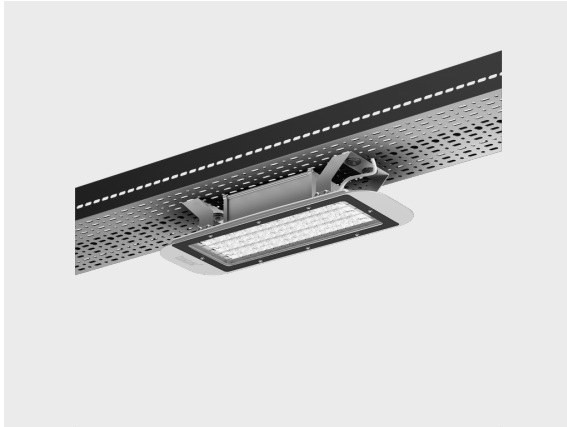


GOLEDO-T 16 LED

LT2037.881-EN



Variants

Light distribution	[T-ASYM-A] , [T-ASYM-B] , [T-ASYM-C] , [T-ASYM-D] , [T-CB-A] , [T-CB-B] , [T-SYM-A] , [T-SYM-B] , [T-SYM-C] , [T-SYM-D]
Delivered lumens flux	2352 - 5310 lm
Rated input power	16 - 35 W
Colour temperature	3000 K CRI 70, 3000 K CRI 80, 4000 K CRI 70
BUG rating	B3-U0-G3
Lifetime L90B50 (hour)	>102, 000
Lifetime L80B50 (hour)	>102, 000

Options

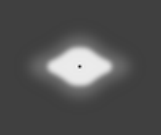
Control	On/Off, 0-10V, DALI, AutoDIM, StepDIM
Product colours	

Extras

External surge protection	10 kV
Light output	Constant light output
Consult the factory	Class II, 120-277V 50/60Hz
Luminaire body options	Double powder coating

Technical information

Mounting	Standard strap connection. Sliding mounting bracket is optional through extra
Housing	Corrosion resistant, die-cast, marine grade aluminum housing
Finishing	Chromate conversion pretreatment followed by electrostatic powder coating
Fasteners	Stainless steel (AISI 304 / EN 1.4301 grade)
Gasket	Silicone
Lens / Reflector	PMMA lens with high optical efficiency
Glass / Diffuser	Tempered safety glass
Impact protection	IK08
Ingress protection	IP66
Input voltage	220-240V 50/60Hz
Insulation class	Class I
Weight	8.86 kg
LED module	High power LEDs on metal-core PCB
Driver	Internal LED driver
Driver surge protection	10/6 kV
Power factor	> 0.95
Through wiring	Single cable entry
Operating temperature	-40...50°C
Cable	1 m of halogen-free cable
Notes	This product can be supplied with Insulation class (Class II) upon request. Please contact factory.





[T-SYM-D]

Tunnel, Symmetric,
Type D -

Project name		Type		Quantity	
Date		Note			

LT2037.881-EN-____-____-____-____-____**-EN-C1-**____-____-____-____-____

Light distribution	Rated input power	Colour temperature	Control	Product colours
[T-ASYM-A] Tunnel, Asymmetric, Type A	[350] 16 W	[730] 3000 K CRI 70	[ONOFF] On/Off	[CC]  Custom colour (Please specify RAL code)
[T-ASYM-B] Tunnel, Asymmetric, Type B	[500] 23 W	[830] 3000 K CRI 80	[0-10V] 0-10V	[7035]  Light grey (RAL 7035)
[T-ASYM-C] Tunnel, Asymmetric, Type C	[500] 24 W	[740] 4000 K CRI 70	[DALI] DALI	
[T-ASYM-D] Tunnel, Asymmetric, Type D	[700] 35 W		[AUTO] AutoDIM	
[T-CB-A] Tunnel, Counter beam, Type A			[STEP] StepDIM	
[T-CB-B] Tunnel, Counter beam, Type B				
[T-SYM-A] Tunnel, Symmetric, Type A				
[T-SYM-B] Tunnel, Symmetric, Type B				
[T-SYM-C] Tunnel, Symmetric, Type C				
[T-SYM-D] Tunnel, Symmetric, Type D				
Extras				

External surge protection
[SP10] 10 kV
Light output
[CLO] Constant light output
Consult the factory
[C2] Class II
[UNI] 120-277V 50/60Hz
Luminaire body options
[DPC] Double powder coating

Variant code	Light distribution	Delivered lumens flux	Rated input power	Colour temperature	Control
LT2037.881-EN-T-ASYM-A-350-730	[T-ASYM-A] Tunnel, Asymmetric, Type A	2463 lm	16 W	3000 K CRI 70	On/Off, 0-10V, DALI, AutoDIM, StepDIM
LT2037.881-EN-T-ASYM-A-350-740	[T-ASYM-A] Tunnel, Asymmetric, Type A	2763 lm	16 W	4000 K CRI 70	On/Off, 0-10V, DALI, AutoDIM, StepDIM
LT2037.881-EN-T-ASYM-A-350-830	[T-SYM-A] Tunnel, Symmetric, Type A			3000 K CRI 80	On/Off, 0-10V, DALI, AutoDIM, StepDIM
LT2037.881-EN-T-ASYM-A-500-730	[T-ASYM-A] Tunnel, Asymmetric, Type A	3415 lm	24 W	3000 K CRI 70	On/Off, 0-10V, DALI, AutoDIM, StepDIM
LT2037.881-EN-T-ASYM-A-500-740	[T-ASYM-A] Tunnel, Asymmetric, Type A	3815 lm	24 W	4000 K CRI 70	On/Off, 0-10V, DALI, AutoDIM, StepDIM
LT2037.881-EN-T-ASYM-A-700-730	[T-ASYM-A] Tunnel, Asymmetric, Type A	4740 lm	35 W	3000 K CRI 70	On/Off, 0-10V, DALI, AutoDIM, StepDIM
LT2037.881-EN-T-ASYM-A-700-740	[T-ASYM-A] Tunnel, Asymmetric, Type A	5285 lm	35 W	4000 K CRI 70	On/Off, 0-10V, DALI, AutoDIM, StepDIM
LT2037.881-EN-T-ASYM-B-350-730	[T-ASYM-B] Tunnel, Asymmetric, Type B	2410 lm	16 W	3000 K CRI 70	On/Off, 0-10V, DALI, AutoDIM, StepDIM
LT2037.881-EN-T-ASYM-B-350-740	[T-ASYM-B] Tunnel, Asymmetric, Type B	2705 lm	16 W	4000 K CRI 70	On/Off, 0-10V, DALI, AutoDIM, StepDIM
LT2037.881-EN-T-ASYM-B-500-730	[T-ASYM-B] Tunnel, Asymmetric, Type B	3345 lm	24 W	3000 K CRI 70	On/Off, 0-10V, DALI, AutoDIM, StepDIM
LT2037.881-EN-T-ASYM-B-500-740	[T-ASYM-B] Tunnel, Asymmetric, Type B	3735 lm	24 W	4000 K CRI 70	On/Off, 0-10V, DALI, AutoDIM, StepDIM
LT2037.881-EN-T-ASYM-B-700-730	[T-ASYM-B] Tunnel, Asymmetric, Type B	4645 lm	35 W	3000 K CRI 70	On/Off, 0-10V, DALI, AutoDIM, StepDIM
LT2037.881-EN-T-ASYM-B-700-740	[T-ASYM-B] Tunnel, Asymmetric, Type B	5175 lm	35 W	4000 K CRI 70	On/Off, 0-10V, DALI, AutoDIM, StepDIM
LT2037.881-EN-T-ASYM-C-350-730	[T-ASYM-C] Tunnel, Asymmetric, Type C	2473 lm	16 W	3000 K CRI 70	On/Off, 0-10V, DALI, AutoDIM, StepDIM
LT2037.881-EN-T-ASYM-C-350-740	[T-ASYM-C] Tunnel, Asymmetric, Type C	2772 lm	16 W	4000 K CRI 70	On/Off, 0-10V, DALI, AutoDIM, StepDIM
LT2037.881-EN-T-ASYM-C-500-730	[T-ASYM-C] Tunnel, Asymmetric, Type C	3425 lm	24 W	3000 K CRI 70	On/Off, 0-10V, DALI, AutoDIM, StepDIM

LT2037.881-EN-T-ASYM-C-500-740	[T-ASYM-C] Tunnel, Asymmetric, Type C	3830 lm	24 W	4000 K CRI 70	On/Off, 0-10V, DALI, AutoDIM, StepDIM
LT2037.881-EN-T-ASYM-C-700-730	[T-ASYM-C] Tunnel, Asymmetric, Type C	4760 lm	35 W	3000 K CRI 70	On/Off, 0-10V, DALI, AutoDIM, StepDIM
LT2037.881-EN-T-ASYM-C-700-740	[T-ASYM-C] Tunnel, Asymmetric, Type C	5310 lm	35 W	4000 K CRI 70	On/Off, 0-10V, DALI, AutoDIM, StepDIM
LT2037.881-EN-T-ASYM-D-350-730	[T-ASYM-D] Tunnel, Asymmetric, Type D	2473 lm	16 W	3000 K CRI 70	On/Off, 0-10V, DALI, AutoDIM, StepDIM
LT2037.881-EN-T-ASYM-D-350-740	[T-ASYM-D] Tunnel, Asymmetric, Type D	2661 lm	16 W	4000 K CRI 70	On/Off, 0-10V, DALI, AutoDIM, StepDIM
LT2037.881-EN-T-ASYM-D-500-730	[T-ASYM-D] Tunnel, Asymmetric, Type D	3425 lm	24 W	3000 K CRI 70	On/Off, 0-10V, DALI, AutoDIM, StepDIM
LT2037.881-EN-T-ASYM-D-500-740	[T-ASYM-D] Tunnel, Asymmetric, Type D	3675 lm	24 W	4000 K CRI 70	On/Off, 0-10V, DALI, AutoDIM, StepDIM
LT2037.881-EN-T-ASYM-D-700-730	[T-ASYM-D] Tunnel, Asymmetric, Type D	4760 lm	35 W	3000 K CRI 70	On/Off, 0-10V, DALI, AutoDIM, StepDIM
LT2037.881-EN-T-ASYM-D-700-740	[T-ASYM-D] Tunnel, Asymmetric, Type D	5090 lm	35 W	4000 K CRI 70	On/Off, 0-10V, DALI, AutoDIM, StepDIM
LT2037.881-EN-T-CB-A-350-730	[T-CB-A] Tunnel, Counter beam, Type A	2458 lm	16 W	3000 K CRI 70	On/Off, 0-10V, DALI, AutoDIM, StepDIM
LT2037.881-EN-T-CB-A-350-740	[T-CB-A] Tunnel, Counter beam, Type A	2758 lm	16 W	4000 K CRI 70	On/Off, 0-10V, DALI, AutoDIM, StepDIM
LT2037.881-EN-T-CB-A-350-830	[T-CB-A] Tunnel, Counter beam, Type A			3000 K CRI 80	On/Off, 0-10V, DALI, AutoDIM, StepDIM
LT2037.881-EN-T-CB-A-500-730	[T-CB-A] Tunnel, Counter beam, Type A	3380 lm	24 W	3000 K CRI 70	On/Off, 0-10V, DALI, AutoDIM, StepDIM
LT2037.881-EN-T-CB-A-500-740	[T-CB-A] Tunnel, Counter beam, Type A	3805 lm	24 W	4000 K CRI 70	On/Off, 0-10V, DALI, AutoDIM, StepDIM
LT2037.881-EN-T-CB-A-700-730	[T-CB-A] Tunnel, Counter beam, Type A	4730 lm	35 W	3000 K CRI 70	On/Off, 0-10V, DALI, AutoDIM, StepDIM
LT2037.881-EN-T-CB-A-700-740	[T-CB-A] Tunnel, Counter beam, Type A	5275 lm	35 W	4000 K CRI 70	On/Off, 0-10V, DALI, AutoDIM, StepDIM
LT2037.881-EN-T-CB-B-350-730	[T-CB-B] Tunnel, Counter beam, Type B	2381 lm	16 W	3000 K CRI 70	On/Off, 0-10V, DALI, AutoDIM, StepDIM

HPR Pazarlama A.Ş.

Başkent OSB 22. Cd. No: 2, Malıköy, Temelli,
Sincan, 06909 Ankara, Turkey
+90 312 267 54 30
info@hepergroup.com

HEPER Europe GmbH

Ahornweg 5a, 58675
Hemer, Germany
+49 237 2901 2975
infoEU@hepergroup.com

We reserve the right to change specifications without prior written notice. Edition: 04.04.2024.
For current version visit heperlighting.com. All flux (±%7 tolerance) and power values (±%10 tolerance) are derived following appropriate IES, CIE, and applicable standards.

LT2037.881-EN-T-CB-B-350-740	[T-CB-B] Tunnel, Counter beam, Type B	2671 lm	16 W	4000 K CRI 70	On/Off, 0-10V, DALI, AutoDIM, StepDIM
LT2037.881-EN-T-CB-B-500-730	[T-CB-B] Tunnel, Counter beam, Type B	3265 lm	24 W	3000 K CRI 70	On/Off, 0-10V, DALI, AutoDIM, StepDIM
LT2037.881-EN-T-CB-B-500-740	[T-CB-B] Tunnel, Counter beam, Type B	3690 lm	24 W	4000 K CRI 70	On/Off, 0-10V, DALI, AutoDIM, StepDIM
LT2037.881-EN-T-CB-B-700-730	[T-CB-B] Tunnel, Counter beam, Type B	4580 lm	35 W	3000 K CRI 70	On/Off, 0-10V, DALI, AutoDIM, StepDIM
LT2037.881-EN-T-CB-B-700-740	[T-CB-B] Tunnel, Counter beam, Type B	5110 lm	35 W	4000 K CRI 70	On/Off, 0-10V, DALI, AutoDIM, StepDIM
LT2037.881-EN-T-SYM-A-350-730	[T-SYM-A] Tunnel, Symmetric, Type A	2425 lm	16 W	3000 K CRI 70	On/Off, 0-10V, DALI, AutoDIM, StepDIM
LT2037.881-EN-T-SYM-A-350-740	[T-SYM-A] Tunnel, Symmetric, Type A	2719 lm	16 W	4000 K CRI 70	On/Off, 0-10V, DALI, AutoDIM, StepDIM
LT2037.881-EN-T-SYM-A-350-830	[T-ASYM-A] Tunnel, Asymmetric, Type A			3000 K CRI 80	On/Off, 0-10V, DALI, AutoDIM, StepDIM
LT2037.881-EN-T-SYM-A-500-730	[T-SYM-A] Tunnel, Symmetric, Type A	3405 lm	24 W	3000 K CRI 70	On/Off, 0-10V, DALI, AutoDIM, StepDIM
LT2037.881-EN-T-SYM-A-500-740	[T-SYM-A] Tunnel, Symmetric, Type A	3760 lm	24 W	4000 K CRI 70	On/Off, 0-10V, DALI, AutoDIM, StepDIM
LT2037.881-EN-T-SYM-A-700-730	[T-SYM-A] Tunnel, Symmetric, Type A	4670 lm	35 W	3000 K CRI 70	On/Off, 0-10V, DALI, AutoDIM, StepDIM
LT2037.881-EN-T-SYM-A-700-740	[T-SYM-A] Tunnel, Symmetric, Type A	5205 lm	35 W	4000 K CRI 70	On/Off, 0-10V, DALI, AutoDIM, StepDIM
LT2037.881-EN-T-SYM-B-350-730	[T-SYM-B] Tunnel, Symmetric, Type B	2396 lm	16 W	3000 K CRI 70	On/Off, 0-10V, DALI, AutoDIM, StepDIM
LT2037.881-EN-T-SYM-B-350-740	[T-SYM-B] Tunnel, Symmetric, Type B	2690 lm	16 W	4000 K CRI 70	On/Off, 0-10V, DALI, AutoDIM, StepDIM
LT2037.881-EN-T-SYM-B-500-730	[T-SYM-B] Tunnel, Symmetric, Type B	3300 lm	24 W	3000 K CRI 70	On/Off, 0-10V, DALI, AutoDIM, StepDIM
LT2037.881-EN-T-SYM-B-500-740	[T-SYM-B] Tunnel, Symmetric, Type B	3715 lm	24 W	4000 K CRI 70	On/Off, 0-10V, DALI, AutoDIM, StepDIM
LT2037.881-EN-T-SYM-B-700-730	[T-SYM-B] Tunnel, Symmetric, Type B	4620 lm	35 W	3000 K CRI 70	On/Off, 0-10V, DALI, AutoDIM, StepDIM

LT2037.881-EN-T-SYM-B-700-740	[T-SYM-B] Tunnel, Symmetric, Type B	5145 lm	35 W	4000 K CRI 70	On/Off, 0-10V, DALI, AutoDIM, StepDIM
LT2037.881-EN-T-SYM-C-350-730	[T-SYM-C] Tunnel, Symmetric, Type C	2439 lm	16 W	3000 K CRI 70	On/Off, 0-10V, DALI, AutoDIM, StepDIM
LT2037.881-EN-T-SYM-C-350-740	[T-SYM-C] Tunnel, Symmetric, Type C	2734 lm	16 W	4000 K CRI 70	On/Off, 0-10V, DALI, AutoDIM, StepDIM
LT2037.881-EN-T-SYM-C-500-730	[T-SYM-C] Tunnel, Symmetric, Type C	3360 lm	24 W	3000 K CRI 70	On/Off, 0-10V, DALI, AutoDIM, StepDIM
LT2037.881-EN-T-SYM-C-500-740	[T-SYM-C] Tunnel, Symmetric, Type C	3780 lm	24 W	4000 K CRI 70	On/Off, 0-10V, DALI, AutoDIM, StepDIM
LT2037.881-EN-T-SYM-C-700-730	[T-SYM-C] Tunnel, Symmetric, Type C	4695 lm	35 W	3000 K CRI 70	On/Off, 0-10V, DALI, AutoDIM, StepDIM
LT2037.881-EN-T-SYM-C-700-740	[T-SYM-C] Tunnel, Symmetric, Type C	5235 lm	35 W	4000 K CRI 70	On/Off, 0-10V, DALI, AutoDIM, StepDIM
LT2037.881-EN-T-SYM-D-350-730	[T-SYM-D] Tunnel, Symmetric, Type D	2352 lm	16 W	3000 K CRI 70	On/Off, 0-10V, DALI, AutoDIM, StepDIM
LT2037.881-EN-T-SYM-D-350-740	[T-SYM-D] Tunnel, Symmetric, Type D	2642 lm	16 W	4000 K CRI 70	On/Off, 0-10V, DALI, AutoDIM, StepDIM
LT2037.881-EN-T-SYM-D-500-730	[T-SYM-D] Tunnel, Symmetric, Type D	3325 lm	23 W	3000 K CRI 70	On/Off, 0-10V, DALI, AutoDIM, StepDIM
LT2037.881-EN-T-SYM-D-500-740	[T-SYM-D] Tunnel, Symmetric, Type D	3645 lm	24 W	4000 K CRI 70	On/Off, 0-10V, DALI, AutoDIM, StepDIM
LT2037.881-EN-T-SYM-D-700-730	[T-SYM-D] Tunnel, Symmetric, Type D	4530 lm	35 W	3000 K CRI 70	On/Off, 0-10V, DALI, AutoDIM, StepDIM
LT2037.881-EN-T-SYM-D-700-740	[T-SYM-D] Tunnel, Symmetric, Type D	5050 lm	35 W	4000 K CRI 70	On/Off, 0-10V, DALI, AutoDIM, StepDIM