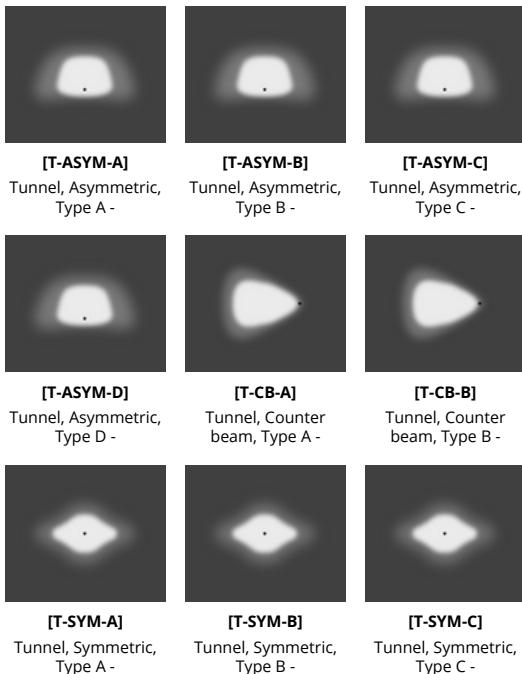
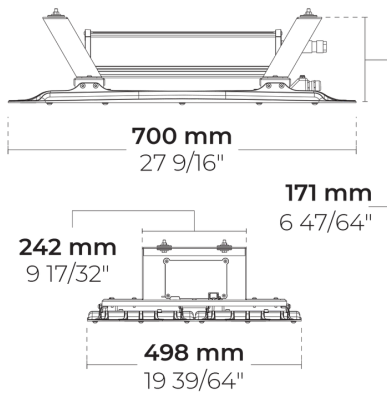


GOLEDO-T 128 LED

LT2037.768-US



Configurations

Light distribution	[T-ASYM-A] , [T-ASYM-B] , [T-ASYM-C] , [T-ASYM-D] , [T-CB-A] , [T-CB-B] , [T-SYM-A] , [T-SYM-B] , [T-SYM-C] , [T-SYM-D]
Delivered lumens flux	10140 - 41445 lm
Rated input power	63 - 274 W
Color temperature	3000 K CRI 70, 4000 K CRI 70
Lifetime L90 (hour)	>102, 000
Lifetime L80 (hour)	>102, 000

Options

Control	On/Off, 0-10V *
Product colors	

Extras

External surge protection	10 kV
Luminaire body options	Double powder coating

Technical information

Mounting	Standard strap connection. Sliding mounting bracket is optional through extra
Housing	Corrosion resistant, die-cast, marine grade aluminum housing
Finishing	Chromate conversion pretreatment followed by electrostatic powder coating
Fasteners	Stainless steel (AISI 304 / EN 1.4301 grade)
Gasket	Silicone
Lens / Reflector	PMMA lens with high optical efficiency
Glass / Diffuser	Tempered safety glass
Impact protection	IK08
Ingress protection	IP66
Input voltage	120-277V 50/60Hz
Insulation class	Class I
Weight	41.34 lbs
LED module	High power LEDs on metal-core PCB
Driver	Internal LED driver
Driver surge protection	6/4 kV
Power factor	> 0.98
Through wiring	Single power cord entry
Operating temperature	-40...50°C
Power cord	40" of halogen-free power cord

* Please check the specific variant for each control type.





[T-SYM-D]

Tunnel, Symmetric,
Type D -

Project name		Type		Quantity	
Date		Note			

LT2037.768-US- _ _ _ _ _

Light distribution	Rated input power	Color temperature	Control	Product colors
[T-ASYM-A] Tunnel, Asymmetric, Type A	[500] 63 W	[730] 3000 K CRI 70	[ONOFF] On/Off	[CC]  Custom color (Please specify RAL code)
[T-ASYM-B] Tunnel, Asymmetric, Type B	[350] 123 W	[740] 4000 K CRI 70	[0-10V] 0-10V	[7035]  Light gray (RAL 7035)
[T-ASYM-C] Tunnel, Asymmetric, Type C	[350] 124 W			
[T-ASYM-D] Tunnel, Asymmetric, Type D	[350] 125 W			
[T-ASYM-D] Tunnel, Asymmetric, Type D	[350] 126 W			
[T-CB-A] Tunnel, Counter beam, Type A	[350] 127 W			
[T-CB-A] Tunnel, Counter beam, Type A	[350] 128 W			
[T-CB-B] Tunnel, Counter beam, Type B	[500] 182 W			
[T-SYM-A] Tunnel, Symmetric, Type A	[500] 184 W			
[T-SYM-A] Tunnel, Symmetric, Type A	[500] 185 W			
[T-SYM-B] Tunnel, Symmetric, Type B	[500] 186 W			
[T-SYM-C] Tunnel, Symmetric, Type C	[500] 187 W			
[T-SYM-C] Tunnel, Symmetric, Type C	[500] 187 W			
[T-SYM-D] Tunnel, Symmetric, Type D	[500] 188 W			
[T-SYM-D] Tunnel, Symmetric, Type D	[500] 189 W			
	[700] 273 W			
	[700] 274 W			
Extras				

External surge protection
[SP10] 10 kV
Luminaire body options
[DPC] Double powder coating

Configuration code	Light distribution	Delivered lumens flux	Rated input power	Color temperature	Control
LT2037.768-US-T-ASYM-A-350-730	[T-ASYM-A] Tunnel, Asymmetric, Type A	19693 lm	123 W	3000 K CRI 70	
LT2037.768-US-T-ASYM-A-350-740	[T-ASYM-A] Tunnel, Asymmetric, Type A	22098 lm	127 W	4000 K CRI 70	
LT2037.768-US-T-ASYM-A-500-730	[T-ASYM-A] Tunnel, Asymmetric, Type A	27305 lm	182 W	3000 K CRI 70	On/Off, 0-10V, DALI, AutoDIM, StepDIM
LT2037.768-US-T-ASYM-A-500-740	[T-ASYM-A] Tunnel, Asymmetric, Type A	30520 lm	187 W	4000 K CRI 70	On/Off, 0-10V, DALI, AutoDIM, StepDIM
LT2037.768-US-T-ASYM-A-700-730	[T-ASYM-A] Tunnel, Asymmetric, Type A	37930 lm	273 W	3000 K CRI 70	On/Off, 0-10V, DALI, AutoDIM, StepDIM
LT2037.768-US-T-ASYM-A-700-740	[T-ASYM-A] Tunnel, Asymmetric, Type A	41190 lm	273 W	4000 K CRI 70	On/Off, 0-10V, DALI, AutoDIM, StepDIM
LT2037.768-US-T-ASYM-B-350-730	[T-ASYM-B] Tunnel, Asymmetric, Type B	19291 lm	124 W	3000 K CRI 70	On/Off, 0-10V
LT2037.768-US-T-ASYM-B-350-740	[T-ASYM-B] Tunnel, Asymmetric, Type B	21644 lm	125 W	4000 K CRI 70	On/Off, 0-10V
LT2037.768-US-T-ASYM-B-500-730	[T-ASYM-B] Tunnel, Asymmetric, Type B	26745 lm	182 W	3000 K CRI 70	On/Off, 0-10V
LT2037.768-US-T-ASYM-B-500-740	[T-ASYM-B] Tunnel, Asymmetric, Type B	29895 lm	184 W	4000 K CRI 70	On/Off, 0-10V
LT2037.768-US-T-ASYM-B-700-730	[T-ASYM-B] Tunnel, Asymmetric, Type B	37150 lm	274 W	3000 K CRI 70	On/Off, 0-10V
LT2037.768-US-T-ASYM-B-700-740	[T-ASYM-B] Tunnel, Asymmetric, Type B	41070 lm	274 W	4000 K CRI 70	On/Off, 0-10V
LT2037.768-US-T-ASYM-C-350-730	[T-ASYM-C] Tunnel, Asymmetric, Type C	19779 lm	123 W	3000 K CRI 70	On/Off, 0-10V
LT2037.768-US-T-ASYM-C-350-740	[T-ASYM-C] Tunnel, Asymmetric, Type C	22193 lm	127 W	4000 K CRI 70	On/Off, 0-10V
LT2037.768-US-T-ASYM-C-500-730	[T-ASYM-C] Tunnel, Asymmetric, Type C	27420 lm	182 W	3000 K CRI 70	On/Off, 0-10V
LT2037.768-US-T-ASYM-C-500-740	[T-ASYM-C] Tunnel, Asymmetric, Type C	30650 lm	187 W	4000 K CRI 70	On/Off, 0-10V
LT2037.768-US-T-ASYM-C-700-730	[T-ASYM-C] Tunnel, Asymmetric, Type C	38095 lm	274 W	3000 K CRI 70	On/Off, 0-10V
LT2037.768-US-T-ASYM-C-700-740	[T-ASYM-C] Tunnel, Asymmetric, Type C	41445 lm	274 W	4000 K CRI 70	On/Off, 0-10V
LT2037.768-US-T-ASYM-D-350-730	[T-ASYM-D] Tunnel, Asymmetric, Type D	19779 lm	123 W	3000 K CRI 70	On/Off, 0-10V
LT2037.768-US-T-ASYM-D-350-740	[T-ASYM-D] Tunnel, Asymmetric, Type D	21286 lm	128 W	4000 K CRI 70	On/Off, 0-10V
LT2037.768-US-T-ASYM-D-500-730	[T-ASYM-D] Tunnel, Asymmetric, Type D	27420 lm	182 W	3000 K CRI 70	On/Off, 0-10V
LT2037.768-US-T-ASYM-D-500-740	[T-ASYM-D] Tunnel, Asymmetric, Type D	29400 lm	188 W	4000 K CRI 70	On/Off, 0-10V
LT2037.768-US-T-ASYM-D-700-730	[T-ASYM-D] Tunnel, Asymmetric, Type D	38095 lm	274 W	3000 K CRI 70	On/Off, 0-10V
LT2037.768-US-T-ASYM-D-700-740	[T-ASYM-D] Tunnel, Asymmetric, Type D	39585 lm	274 W	4000 K CRI 70	On/Off, 0-10V
LT2037.768-US-T-CB-A-350-730	[T-CB-A] Tunnel, Counter beam, Type A	19653 lm	123 W	3000 K CRI 70	
LT2037.768-US-T-CB-A-350-740	[T-CB-A] Tunnel, Counter beam, Type A	22050 lm	128 W	4000 K CRI 70	
LT2037.768-US-T-CB-A-500-730	[T-CB-A] Tunnel, Counter beam, Type A	27245 lm	182 W	3000 K CRI 70	On/Off, 0-10V, DALI, AutoDIM, StepDIM
LT2037.768-US-T-CB-A-500-740	[T-CB-A] Tunnel, Counter beam, Type A	30455 lm	189 W	4000 K CRI 70	On/Off, 0-10V, DALI, AutoDIM, StepDIM
LT2037.768-US-T-CB-A-700-730	[T-CB-A] Tunnel, Counter beam, Type A	37845 lm	273 W	3000 K CRI 70	On/Off, 0-10V, DALI, AutoDIM, StepDIM

LT2037.768-US-T-CB-A-700-740	[T-CB-A] Tunnel, Counter beam, Type A	40795 lm	273 W	4000 K CRI 70	On/Off, 0-10V, DALI, AutoDIM, StepDIM
LT2037.768-US-T-CB-B-350-730	[T-CB-B] Tunnel, Counter beam, Type B	19035 lm	123 W	3000 K CRI 70	On/Off, 0-10V
LT2037.768-US-T-CB-B-350-740	[T-CB-B] Tunnel, Counter beam, Type B	21359 lm	128 W	4000 K CRI 70	On/Off, 0-10V
LT2037.768-US-T-CB-B-500-730	[T-CB-B] Tunnel, Counter beam, Type B	26385 lm	182 W	3000 K CRI 70	On/Off, 0-10V
LT2037.768-US-T-CB-B-500-740	[T-CB-B] Tunnel, Counter beam, Type B	29500 lm	189 W	4000 K CRI 70	On/Off, 0-10V
LT2037.768-US-T-CB-B-700-730	[T-CB-B] Tunnel, Counter beam, Type B	36660 lm	273 W	3000 K CRI 70	On/Off, 0-10V
LT2037.768-US-T-CB-B-700-740	[T-CB-B] Tunnel, Counter beam, Type B	39605 lm	273 W	4000 K CRI 70	On/Off, 0-10V
LT2037.768-US-T-SYM-A-350-730	[T-SYM-A] Tunnel, Symmetric, Type A	19397 lm	124 W	3000 K CRI 70	
LT2037.768-US-T-SYM-A-350-740	[T-SYM-A] Tunnel, Symmetric, Type A	21764 lm	126 W	4000 K CRI 70	
LT2037.768-US-T-SYM-A-500-730	[T-SYM-A] Tunnel, Symmetric, Type A	26885 lm	182 W	3000 K CRI 70	On/Off, 0-10V, DALI, AutoDIM, StepDIM
LT2037.768-US-T-SYM-A-500-740	[T-SYM-A] Tunnel, Symmetric, Type A	30060 lm	186 W	4000 K CRI 70	On/Off, 0-10V, DALI, AutoDIM, StepDIM
LT2037.768-US-T-SYM-A-700-730	[T-SYM-A] Tunnel, Symmetric, Type A	37355 lm	274 W	3000 K CRI 70	On/Off, 0-10V, DALI, AutoDIM, StepDIM
LT2037.768-US-T-SYM-A-700-740	[T-SYM-A] Tunnel, Symmetric, Type A	40945 lm	274 W	4000 K CRI 70	On/Off, 0-10V, DALI, AutoDIM, StepDIM
LT2037.768-US-T-SYM-B-350-730	[T-SYM-B] Tunnel, Symmetric, Type B	19185 lm	123 W	3000 K CRI 70	On/Off, 0-10V
LT2037.768-US-T-SYM-B-350-740	[T-SYM-B] Tunnel, Symmetric, Type B	21528 lm	126 W	4000 K CRI 70	On/Off, 0-10V
LT2037.768-US-T-SYM-B-500-730	[T-SYM-B] Tunnel, Symmetric, Type B	26595 lm	182 W	3000 K CRI 70	On/Off, 0-10V
LT2037.768-US-T-SYM-B-500-740	[T-SYM-B] Tunnel, Symmetric, Type B	29730 lm	185 W	4000 K CRI 70	On/Off, 0-10V
LT2037.768-US-T-SYM-B-700-730	[T-SYM-B] Tunnel, Symmetric, Type B	36945 lm	273 W	3000 K CRI 70	On/Off, 0-10V
LT2037.768-US-T-SYM-B-700-740	[T-SYM-B] Tunnel, Symmetric, Type B	40530 lm	273 W	4000 K CRI 70	On/Off, 0-10V
LT2037.768-US-T-SYM-C-350-730	[T-SYM-C] Tunnel, Symmetric, Type C	19503 lm	123 W	3000 K CRI 70	On/Off, 0-10V
LT2037.768-US-T-SYM-C-350-740	[T-SYM-C] Tunnel, Symmetric, Type C	21885 lm	127 W	4000 K CRI 70	On/Off, 0-10V
LT2037.768-US-T-SYM-C-500-730	[T-SYM-C] Tunnel, Symmetric, Type C	27035 lm	182 W	3000 K CRI 70	On/Off, 0-10V
LT2037.768-US-T-SYM-C-500-740	[T-SYM-C] Tunnel, Symmetric, Type C	10140 lm	63 W	4000 K CRI 70	On/Off, 0-10V
LT2037.768-US-T-SYM-C-700-730	[T-SYM-C] Tunnel, Symmetric, Type C	37560 lm	273 W	3000 K CRI 70	On/Off, 0-10V
LT2037.768-US-T-SYM-C-700-740	[T-SYM-C] Tunnel, Symmetric, Type C	41040 lm	273 W	4000 K CRI 70	On/Off, 0-10V
LT2037.768-US-T-SYM-D-350-730	[T-SYM-D] Tunnel, Symmetric, Type D	18823 lm	124 W	3000 K CRI 70	On/Off, 0-10V
LT2037.768-US-T-SYM-D-350-740	[T-SYM-D] Tunnel, Symmetric, Type D	21121 lm	127 W	4000 K CRI 70	On/Off, 0-10V
LT2037.768-US-T-SYM-D-500-730	[T-SYM-D] Tunnel, Symmetric, Type D	18245 lm	128 W	3000 K CRI 70	On/Off, 0-10V
LT2037.768-US-T-SYM-D-500-740	[T-SYM-D] Tunnel, Symmetric, Type D	29165 lm	187 W	4000 K CRI 70	On/Off, 0-10V
LT2037.768-US-T-SYM-D-700-730	[T-SYM-D] Tunnel, Symmetric, Type D	36250 lm	274 W	3000 K CRI 70	On/Off, 0-10V
LT2037.768-US-T-SYM-D-700-740	[T-SYM-D] Tunnel, Symmetric, Type D	39530 lm	274 W	4000 K CRI 70	On/Off, 0-10V