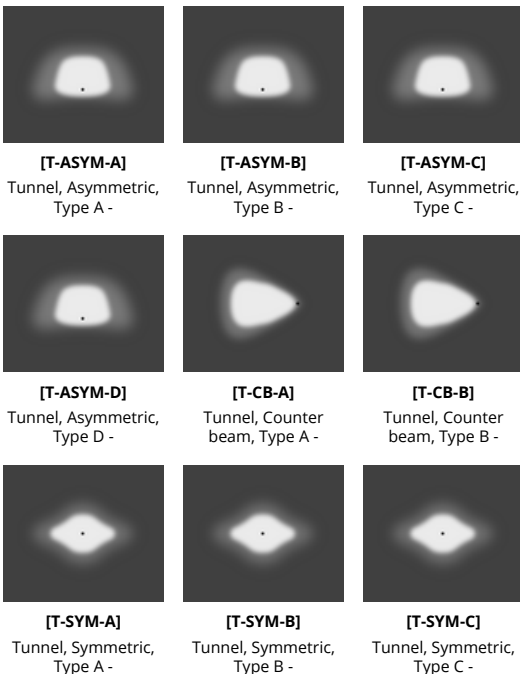
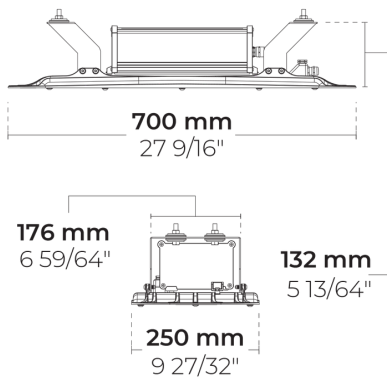


GOLEDO-T 64 LED

LT2037.767-US



Configurations

Light distribution	[T-ASYM-A], [T-ASYM-B], [T-ASYM-C], [T-ASYM-D], [T-CB-A], [T-CB-B], [T-SYM-A], [T-SYM-B], [T-SYM-C], [T-SYM-D]
Delivered lumens flux	9409 - 22985 lm
Rated input power	62 - 143 W
Color temperature	3000 K CRI 70, 4000 K CRI 70
BUG rating	B3-U0-G3
Lifetime L90 (hour)	>102, 000
Lifetime L80 (hour)	>102, 000

Options

Control	On/Off, 0-10V *
Product colors	

Extras

External surge protection	10 kV
Luminaire body options	Double powder coating

Technical information

Mounting	Standard strap connection. Sliding mounting bracket is optional through extra
Housing	Corrosion resistant, die-cast, marine grade aluminum housing
Finishing	Chromate conversion pretreatment followed by electrostatic powder coating
Fasteners	Stainless steel (AISI 304 / EN 1.4301 grade)
Gasket	Silicone
Lens / Reflector	PMMA lens with high optical efficiency
Glass / Diffuser	Tempered safety glass
Impact protection	IK08
Ingress protection	IP66
Input voltage	120-277V 50/60Hz
Insulation class	Class I
Weight	20.7 lbs
LED module	High power LEDs on metal-core PCB
Driver	Internal LED driver
Driver surge protection	6/4 kV
Power factor	> 0.98
Through wiring	Single power cord entry
Operating temperature	-40...50°C
Power cord	40" of halogen-free power cord

* Please check the specific variant for each control type.


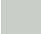


[T-SYM-D]

Tunnel, Symmetric,
Type D -

Project name		Type		Quantity	
Date		Note			

LT2037.767-US- - - - - -

Light distribution	Rated input power	Color temperature	Control	Product colors
[T-ASYM-A] Tunnel, Asymmetric, Type A	[350] 62 W	[730] 3000 K CRI 70	[ONOFF] On/Off	[CC]  Custom color (Please specify RAL code)
[T-ASYM-B] Tunnel, Asymmetric, Type B	[500] 91 W	[740] 4000 K CRI 70	[0-10V] 0-10V	[7035]  Light gray (RAL 7035)
[T-ASYM-C] Tunnel, Asymmetric, Type C	[500] 92 W			
[T-ASYM-D] Tunnel, Asymmetric, Type D	[350] 94 W			
[T-CB-A] Tunnel, Counter beam, Type A	[350] 95 W			
[T-CB-B] Tunnel, Counter beam, Type B	[350] 96 W			
[T-SYM-A] Tunnel, Symmetric, Type A	[350] 97 W			
[T-SYM-B] Tunnel, Symmetric, Type B	[700] 137 W			
[T-SYM-C] Tunnel, Symmetric, Type C	[500] 138 W			
[T-SYM-D] Tunnel, Symmetric, Type D	[500] 139 W			
	[500] 141 W			
	[500] 142 W			
	[500] 143 W			
Extras				

External surge protection
[SP10] 10 kV
Luminaire body options
[DPC] Double powder coating

Configuration code	Light distribution	Delivered lumens flux	Rated input power	Color temperature	Control
LT2037.767-US-T-ASYM-A-350-730	[T-ASYM-A] Tunnel, Asymmetric, Type A	9849 lm	62 W	3000 K CRI 70	
LT2037.767-US-T-ASYM-A-350-740	[T-ASYM-A] Tunnel, Asymmetric, Type A	16572 lm	96 W	4000 K CRI 70	
LT2037.767-US-T-ASYM-A-500-730	[T-ASYM-A] Tunnel, Asymmetric, Type A	13650 lm	92 W	3000 K CRI 70	On/Off, 0-10V, DALI, AutoDIM, StepDIM
LT2037.767-US-T-ASYM-A-500-740	[T-ASYM-A] Tunnel, Asymmetric, Type A	22890 lm	142 W	4000 K CRI 70	On/Off, 0-10V, DALI, AutoDIM, StepDIM
LT2037.767-US-T-ASYM-A-700-730	[T-ASYM-A] Tunnel, Asymmetric, Type A	18965 lm	137 W	3000 K CRI 70	On/Off, 0-10V, DALI, AutoDIM, StepDIM
LT2037.767-US-T-ASYM-A-700-740	[T-ASYM-A] Tunnel, Asymmetric, Type A	20555 lm	137 W	4000 K CRI 70	
LT2037.767-US-T-ASYM-B-350-730	[T-ASYM-B] Tunnel, Asymmetric, Type B	9646 lm	62 W	3000 K CRI 70	On/Off, 0-10V
LT2037.767-US-T-ASYM-B-350-740	[T-ASYM-B] Tunnel, Asymmetric, Type B	16234 lm	95 W	4000 K CRI 70	On/Off, 0-10V
LT2037.767-US-T-ASYM-B-500-730	[T-ASYM-B] Tunnel, Asymmetric, Type B	13370 lm	92 W	3000 K CRI 70	On/Off, 0-10V
LT2037.767-US-T-ASYM-B-500-740	[T-ASYM-B] Tunnel, Asymmetric, Type B	22420 lm	139 W	4000 K CRI 70	On/Off, 0-10V
LT2037.767-US-T-ASYM-B-700-730	[T-ASYM-B] Tunnel, Asymmetric, Type B	18575 lm	137 W	3000 K CRI 70	On/Off, 0-10V
LT2037.767-US-T-ASYM-B-700-740	[T-ASYM-B] Tunnel, Asymmetric, Type B	20455 lm	137 W	4000 K CRI 70	On/Off, 0-10V
LT2037.767-US-T-ASYM-C-350-730	[T-ASYM-C] Tunnel, Asymmetric, Type C	9887 lm	62 W	3000 K CRI 70	On/Off, 0-10V
LT2037.767-US-T-ASYM-C-350-740	[T-ASYM-C] Tunnel, Asymmetric, Type C	16644 lm	94 W	4000 K CRI 70	On/Off, 0-10V
LT2037.767-US-T-ASYM-C-500-730	[T-ASYM-C] Tunnel, Asymmetric, Type C	13710 lm	92 W	3000 K CRI 70	On/Off, 0-10V
LT2037.767-US-T-ASYM-C-500-740	[T-ASYM-C] Tunnel, Asymmetric, Type C	22985 lm	138 W	4000 K CRI 70	On/Off, 0-10V
LT2037.767-US-T-ASYM-C-700-730	[T-ASYM-C] Tunnel, Asymmetric, Type C	19045 lm	137 W	3000 K CRI 70	On/Off, 0-10V
LT2037.767-US-T-ASYM-C-700-740	[T-ASYM-C] Tunnel, Asymmetric, Type C	21195 lm	137 W	4000 K CRI 70	On/Off, 0-10V
LT2037.767-US-T-ASYM-D-350-730	[T-ASYM-D] Tunnel, Asymmetric, Type D	9887 lm	62 W	3000 K CRI 70	On/Off, 0-10V
LT2037.767-US-T-ASYM-D-350-740	[T-ASYM-D] Tunnel, Asymmetric, Type D	15963 lm	97 W	4000 K CRI 70	On/Off, 0-10V
LT2037.767-US-T-ASYM-D-500-730	[T-ASYM-D] Tunnel, Asymmetric, Type D	13710 lm	92 W	3000 K CRI 70	On/Off, 0-10V
LT2037.767-US-T-ASYM-D-500-740	[T-ASYM-D] Tunnel, Asymmetric, Type D	22050 lm	142 W	4000 K CRI 70	On/Off, 0-10V
LT2037.767-US-T-ASYM-D-700-730	[T-ASYM-D] Tunnel, Asymmetric, Type D	19045 lm	137 W	3000 K CRI 70	On/Off, 0-10V
LT2037.767-US-T-ASYM-D-700-740	[T-ASYM-D] Tunnel, Asymmetric, Type D	19715 lm	137 W	4000 K CRI 70	On/Off, 0-10V
LT2037.767-US-T-CB-A-350-730	[T-CB-A] Tunnel, Counter beam, Type A	9824 lm	62 W	3000 K CRI 70	
LT2037.767-US-T-CB-A-350-740	[T-CB-A] Tunnel, Counter beam, Type A	16537 lm	95 W	4000 K CRI 70	
LT2037.767-US-T-CB-A-500-730	[T-CB-A] Tunnel, Counter beam, Type A	13620 lm	91 W	3000 K CRI 70	On/Off, 0-10V, DALI, AutoDIM, StepDIM
LT2037.767-US-T-CB-A-500-740	[T-CB-A] Tunnel, Counter beam, Type A	22840 lm	139 W	4000 K CRI 70	On/Off, 0-10V, DALI, AutoDIM, StepDIM
LT2037.767-US-T-CB-A-700-730	[T-CB-A] Tunnel, Counter beam, Type A	18925 lm	137 W	3000 K CRI 70	On/Off, 0-10V, DALI, AutoDIM, StepDIM

LT2037.767-US-T-CB-A-700-740	[T-CB-A] Tunnel, Counter beam, Type A	20805 lm	137 W	4000 K CRI 70	On/Off, 0-10V, DALI, AutoDIM, StepDIM
LT2037.767-US-T-CB-B-350-730	[T-CB-B] Tunnel, Counter beam, Type B	9515 lm	62 W	3000 K CRI 70	On/Off, 0-10V
LT2037.767-US-T-CB-B-350-740	[T-CB-B] Tunnel, Counter beam, Type B	16021 lm	96 W	4000 K CRI 70	On/Off, 0-10V
LT2037.767-US-T-CB-B-500-730	[T-CB-B] Tunnel, Counter beam, Type B	13195 lm	91 W	3000 K CRI 70	On/Off, 0-10V
LT2037.767-US-T-CB-B-500-740	[T-CB-B] Tunnel, Counter beam, Type B	22125 lm	141 W	4000 K CRI 70	On/Off, 0-10V
LT2037.767-US-T-CB-B-700-730	[T-CB-B] Tunnel, Counter beam, Type B	18330 lm	137 W	3000 K CRI 70	On/Off, 0-10V
LT2037.767-US-T-CB-B-700-740	[T-CB-B] Tunnel, Counter beam, Type B	20000 lm	137 W	4000 K CRI 70	On/Off, 0-10V
LT2037.767-US-T-SYM-A-350-730	[T-SYM-A] Tunnel, Symmetric, Type A	9698 lm	62 W	3000 K CRI 70	
LT2037.767-US-T-SYM-A-350-740	[T-SYM-A] Tunnel, Symmetric, Type A	16326 lm	96 W	4000 K CRI 70	
LT2037.767-US-T-SYM-A-500-730	[T-SYM-A] Tunnel, Symmetric, Type A	13445 lm	92 W	3000 K CRI 70	On/Off, 0-10V, DALI, AutoDIM, StepDIM
LT2037.767-US-T-SYM-A-500-740	[T-SYM-A] Tunnel, Symmetric, Type A	22545 lm	141 W	4000 K CRI 70	On/Off, 0-10V, DALI, AutoDIM, StepDIM
LT2037.767-US-T-SYM-A-700-730	[T-SYM-A] Tunnel, Symmetric, Type A	18680 lm	137 W	3000 K CRI 70	On/Off, 0-10V, DALI, AutoDIM, StepDIM
LT2037.767-US-T-SYM-A-700-740	[T-SYM-A] Tunnel, Symmetric, Type A	20375 lm	137 W	4000 K CRI 70	On/Off, 0-10V, DALI, AutoDIM, StepDIM
LT2037.767-US-T-SYM-B-350-730	[T-SYM-B] Tunnel, Symmetric, Type B	9592 lm	62 W	3000 K CRI 70	On/Off, 0-10V
LT2037.767-US-T-SYM-B-350-740	[T-SYM-B] Tunnel, Symmetric, Type B	16142 lm	96 W	4000 K CRI 70	On/Off, 0-10V
LT2037.767-US-T-SYM-B-500-730	[T-SYM-B] Tunnel, Symmetric, Type B	13295 lm	92 W	3000 K CRI 70	On/Off, 0-10V
LT2037.767-US-T-SYM-B-500-740	[T-SYM-B] Tunnel, Symmetric, Type B	22300 lm	141 W	4000 K CRI 70	On/Off, 0-10V
LT2037.767-US-T-SYM-B-700-730	[T-SYM-B] Tunnel, Symmetric, Type B	18475 lm	137 W	3000 K CRI 70	On/Off, 0-10V
LT2037.767-US-T-SYM-B-700-740	[T-SYM-B] Tunnel, Symmetric, Type B	20185 lm	137 W	4000 K CRI 70	On/Off, 0-10V
LT2037.767-US-T-SYM-C-350-730	[T-SYM-C] Tunnel, Symmetric, Type C	9752 lm	62 W	3000 K CRI 70	On/Off, 0-10V
LT2037.767-US-T-SYM-C-350-740	[T-SYM-C] Tunnel, Symmetric, Type C	16412 lm	96 W	4000 K CRI 70	On/Off, 0-10V
LT2037.767-US-T-SYM-C-500-730	[T-SYM-C] Tunnel, Symmetric, Type C	13515 lm	92 W	3000 K CRI 70	On/Off, 0-10V
LT2037.767-US-T-SYM-C-500-740	[T-SYM-C] Tunnel, Symmetric, Type C	22670 lm	141 W	4000 K CRI 70	On/Off, 0-10V
LT2037.767-US-T-SYM-C-700-730	[T-SYM-C] Tunnel, Symmetric, Type C	18780 lm	137 W	3000 K CRI 70	On/Off, 0-10V
LT2037.767-US-T-SYM-C-700-740	[T-SYM-C] Tunnel, Symmetric, Type C	20510 lm	137 W	4000 K CRI 70	On/Off, 0-10V
LT2037.767-US-T-SYM-D-350-730	[T-SYM-D] Tunnel, Symmetric, Type D	9409 lm	62 W	3000 K CRI 70	On/Off, 0-10V
LT2037.767-US-T-SYM-D-350-740	[T-SYM-D] Tunnel, Symmetric, Type D	15837 lm	97 W	4000 K CRI 70	On/Off, 0-10V
LT2037.767-US-T-SYM-D-500-730	[T-SYM-D] Tunnel, Symmetric, Type D	13050 lm	91 W	3000 K CRI 70	On/Off, 0-10V
LT2037.767-US-T-SYM-D-500-740	[T-SYM-D] Tunnel, Symmetric, Type D	21875 lm	143 W	4000 K CRI 70	On/Off, 0-10V
LT2037.767-US-T-SYM-D-700-730	[T-SYM-D] Tunnel, Symmetric, Type D	18125 lm	137 W	3000 K CRI 70	On/Off, 0-10V
LT2037.767-US-T-SYM-D-700-740	[T-SYM-D] Tunnel, Symmetric, Type D	19420 lm	137 W	4000 K CRI 70	On/Off, 0-10V