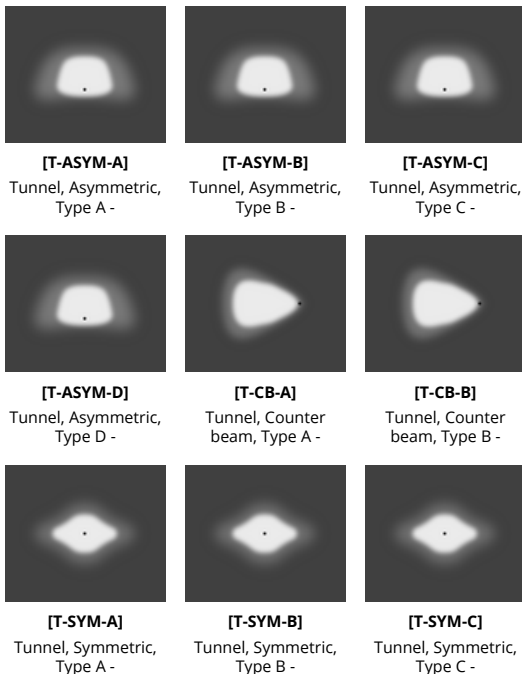
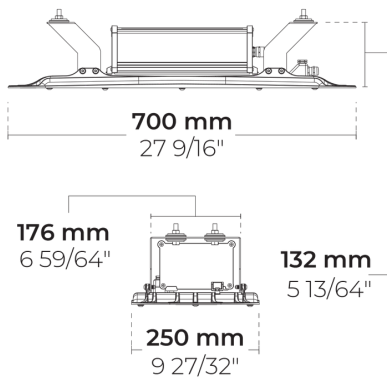


# GOLEDO-T 32 LED

LT2037.761-EN



## Variants

<b>Light distribution</b>	[T-ASYM-A], [T-ASYM-B], [T-ASYM-C], [T-ASYM-D], [T-CB-A], [T-CB-B], [T-SYM-A], [T-SYM-B], [T-SYM-C], [T-SYM-D]
<b>Delivered lumens flux</b>	6520 - 10325 lm
<b>Rated input power</b>	45 - 68 W
<b>Colour temperature</b>	3000 K CRI 70, 4000 K CRI 70
<b>BUG rating</b>	B4-U0-G3, B3-U0-G3, B5-U0-G4, B4-U0-G4
<b>Lifetime L90B50 (hour)</b>	>102, 000
<b>Lifetime L80B50 (hour)</b>	>102, 000

## Options

<b>Control</b>	On/Off, 0-10V, DALI, AutoDIM, StepDIM *
<b>Product colours</b>	

## Extras

<b>External surge protection</b>	10 kV
<b>Light output</b>	Constant light output
<b>Consult the factory</b>	Class II, 120-277V 50/60Hz
<b>Luminaire body options</b>	Double powder coating

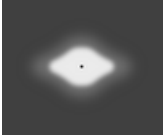
## Technical information

<b>Mounting</b>	Standard strap connection. Sliding mounting bracket is optional through extra
<b>Housing</b>	Corrosion resistant, die-cast, marine grade aluminum housing
<b>Finishing</b>	Chromate conversion pretreatment followed by electrostatic powder coating
<b>Fasteners</b>	Stainless steel (AISI 304 / EN 1.4301 grade)
<b>Gasket</b>	Silicone
<b>Lens / Reflector</b>	PMMA lens with high optical efficiency
<b>Glass / Diffusor</b>	Tempered safety glass
<b>Impact protection</b>	IK08
<b>Ingress protection</b>	IP66
<b>Input voltage</b>	220-240V 50/60Hz
<b>Insulation class</b>	Class I
<b>Weight</b>	8.86 kg
<b>LED module</b>	High power LEDs on metal-core PCB
<b>Driver</b>	Internal LED driver
<b>Driver surge protection</b>	10/6 kV
<b>Power factor</b>	> 0.95
<b>Through wiring</b>	Single cable entry
<b>Operating temperature</b>	-40...50°C
<b>Cable</b>	1 m of halogen-free cable
<b>Notes</b>	This product can be supplied with Insulation class (Class II) upon request. Please contact factory.

HPR Pazarlama A.Ş.  
Başkent OSB 22. Cd. No: 2, Malıköy, Temelli,  
Sincan, 06909 Ankara, Turkey  
+90 312 267 54 30  
info@hepergroup.com

HEPER Europe GmbH  
Ahornweg 5a, 58675  
Hemer, Germany  
+49 237 2901 2975  
infoEU@hepergroup.com

We reserve the right to change specifications without prior written notice. Edition: 30.03.2024. For current version visit heperlighting.com. All flux (±7% tolerance) and power values (±10% tolerance) are derived following appropriate IES, CIE, and applicable standards.





**[T-SYM-D]**

Tunnel, Symmetric,  
Type D -

*\* Please check the specific variant for each control type.*

Project name		Type		Quantity	
Date		Note			

**LT2037.761-EN-**\_\_\_\_-\_\_\_\_-\_\_\_\_-\_\_\_\_-\_\_\_\_**-EN-C1-**\_\_\_\_-\_\_\_\_-\_\_\_\_-\_\_\_\_-\_\_\_\_

Light distribution	Rated input power	Colour temperature	Control	Product colours
<b>[T-ASYM-A]</b> Tunnel, Asymmetric, Type A	<b>[500]</b> 45 W	<b>[730]</b> 3000 K CRI 70	<b>[ONOFF]</b> On/Off	<b>[CC]</b>  Custom colour (Please specify RAL code)
<b>[T-ASYM-B]</b> Tunnel, Asymmetric, Type B	<b>[500]</b> 46 W	<b>[740]</b> 4000 K CRI 70	<b>[0-10V]</b> 0-10V	<b>[7035]</b>  Light grey (RAL 7035)
<b>[T-ASYM-C]</b> Tunnel, Asymmetric, Type C	<b>[500]</b> 47 W		<b>[DALI]</b> DALI	
<b>[T-ASYM-D]</b> Tunnel, Asymmetric, Type D	<b>[700]</b> 68 W		<b>[AUTO]</b> AutoDIM	
<b>[T-CB-A]</b> Tunnel, Counter beam, Type A			<b>[STEP]</b> StepDIM	
<b>[T-CB-B]</b> Tunnel, Counter beam, Type B				
<b>[T-SYM-A]</b> Tunnel, Symmetric, Type A				
<b>[T-SYM-B]</b> Tunnel, Symmetric, Type B				
<b>[T-SYM-C]</b> Tunnel, Symmetric, Type C				
<b>[T-SYM-D]</b> Tunnel, Symmetric, Type D				
<b>Extras</b>				

<b>External surge protection</b>
<b>[SP10]</b> 10 kV
<b>Light output</b>
<b>[CLO]</b> Constant light output
<b>Consult the factory</b>
<b>[C2]</b> Class II
<b>[UNI]</b> 120-277V 50/60Hz
<b>Luminaire body options</b>
<b>[DPC]</b> Double powder coating

Variant code	Light distribution	Delivered lumens flux	Rated input power	Colour temperature	Control
LT2037.761-EN-T-ASYM-A-350-730	[T-ASYM-A] Tunnel, Asymmetric, Type A	6825 lm	45 W	3000 K CRI 70	
LT2037.761-EN-T-ASYM-A-350-740	[T-ASYM-A] Tunnel, Asymmetric, Type A	7630 lm	47 W	4000 K CRI 70	
LT2037.761-EN-T-ASYM-A-500-730	[T-ASYM-A] Tunnel, Asymmetric, Type A	6825 lm	45 W	3000 K CRI 70	On/Off, 0-10V, DALI, AutoDIM, StepDIM
LT2037.761-EN-T-ASYM-A-500-740	[T-ASYM-A] Tunnel, Asymmetric, Type A	7630 lm	47 W	4000 K CRI 70	On/Off, 0-10V, DALI, AutoDIM, StepDIM
LT2037.761-EN-T-ASYM-A-700-730	[T-ASYM-A] Tunnel, Asymmetric, Type A	9480 lm	68 W	3000 K CRI 70	On/Off, 0-10V, DALI, AutoDIM, StepDIM
LT2037.761-EN-T-ASYM-A-700-740	[T-ASYM-A] Tunnel, Asymmetric, Type A	10265 lm	68 W	4000 K CRI 70	On/Off, 0-10V, DALI, AutoDIM, StepDIM
LT2037.761-EN-T-ASYM-B-350-730	[T-ASYM-B] Tunnel, Asymmetric, Type B	6685 lm	45 W	3000 K CRI 70	On/Off, 0-10V, DALI, AutoDIM, StepDIM
LT2037.761-EN-T-ASYM-B-350-740	[T-ASYM-B] Tunnel, Asymmetric, Type B	7470 lm	46 W	4000 K CRI 70	On/Off, 0-10V, DALI, AutoDIM, StepDIM
LT2037.761-EN-T-ASYM-B-500-730	[T-ASYM-B] Tunnel, Asymmetric, Type B	6685 lm	45 W	3000 K CRI 70	On/Off, 0-10V, DALI, AutoDIM, StepDIM
LT2037.761-EN-T-ASYM-B-500-740	[T-ASYM-B] Tunnel, Asymmetric, Type B	7470 lm	46 W	4000 K CRI 70	On/Off, 0-10V, DALI, AutoDIM, StepDIM
LT2037.761-EN-T-ASYM-B-700-730	[T-ASYM-B] Tunnel, Asymmetric, Type B	9290 lm	68 W	3000 K CRI 70	On/Off, 0-10V, DALI, AutoDIM, StepDIM
LT2037.761-EN-T-ASYM-B-700-740	[T-ASYM-B] Tunnel, Asymmetric, Type B	10230 lm	68 W	4000 K CRI 70	On/Off, 0-10V, DALI, AutoDIM, StepDIM
LT2037.761-EN-T-ASYM-C-350-730	[T-ASYM-C] Tunnel, Asymmetric, Type C	6855 lm	45 W	3000 K CRI 70	On/Off, 0-10V, DALI, AutoDIM, StepDIM
LT2037.761-EN-T-ASYM-C-350-740	[T-ASYM-C] Tunnel, Asymmetric, Type C	7665 lm	47 W	4000 K CRI 70	On/Off, 0-10V, DALI, AutoDIM, StepDIM
LT2037.761-EN-T-ASYM-C-500-730	[T-ASYM-C] Tunnel, Asymmetric, Type C	6855 lm	45 W	3000 K CRI 70	On/Off, 0-10V, DALI, AutoDIM, StepDIM
LT2037.761-EN-T-ASYM-C-500-740	[T-ASYM-C] Tunnel, Asymmetric, Type C	7665 lm	47 W	4000 K CRI 70	On/Off, 0-10V, DALI, AutoDIM, StepDIM
LT2037.761-EN-T-ASYM-C-700-730	[T-ASYM-C] Tunnel, Asymmetric, Type C	9525 lm	68 W	3000 K CRI 70	On/Off, 0-10V, DALI, AutoDIM, StepDIM

LT2037.761-EN-T-ASYM-C-700-740	[T-ASYM-C] Tunnel, Asymmetric, Type C	10320 lm	68 W	4000 K CRI 70	On/Off, 0-10V, DALI, AutoDIM, StepDIM
LT2037.761-EN-T-ASYM-D-350-730	[T-ASYM-D] Tunnel, Asymmetric, Type D	6855 lm	45 W	3000 K CRI 70	On/Off, 0-10V, DALI, AutoDIM, StepDIM
LT2037.761-EN-T-ASYM-D-350-740	[T-ASYM-D] Tunnel, Asymmetric, Type D	7350 lm	46 W	4000 K CRI 70	On/Off, 0-10V, DALI, AutoDIM, StepDIM
LT2037.761-EN-T-ASYM-D-500-730	[T-ASYM-D] Tunnel, Asymmetric, Type D	6855 lm	45 W	3000 K CRI 70	On/Off, 0-10V, DALI, AutoDIM, StepDIM
LT2037.761-EN-T-ASYM-D-500-740	[T-ASYM-D] Tunnel, Asymmetric, Type D	7350 lm	46 W	4000 K CRI 70	On/Off, 0-10V, DALI, AutoDIM, StepDIM
LT2037.761-EN-T-ASYM-D-700-730	[T-ASYM-D] Tunnel, Asymmetric, Type D	9525 lm	68 W	3000 K CRI 70	On/Off, 0-10V, DALI, AutoDIM, StepDIM
LT2037.761-EN-T-ASYM-D-700-740	[T-ASYM-D] Tunnel, Asymmetric, Type D	10045 lm	68 W	4000 K CRI 70	On/Off, 0-10V, DALI, AutoDIM, StepDIM
LT2037.761-EN-T-CB-A-350-730	[T-CB-A] Tunnel, Counter beam, Type A	6810 lm	45 W	3000 K CRI 70	
LT2037.761-EN-T-CB-A-350-740	[T-CB-A] Tunnel, Counter beam, Type A	7615 lm	46 W	4000 K CRI 70	
LT2037.761-EN-T-CB-A-500-730	[T-CB-A] Tunnel, Counter beam, Type A	6810 lm	45 W	3000 K CRI 70	On/Off, 0-10V, DALI, AutoDIM, StepDIM
LT2037.761-EN-T-CB-A-500-740	[T-CB-A] Tunnel, Counter beam, Type A	7615 lm	46 W	4000 K CRI 70	On/Off, 0-10V, DALI, AutoDIM, StepDIM
LT2037.761-EN-T-CB-A-700-730	[T-CB-A] Tunnel, Counter beam, Type A	9460 lm	68 W	3000 K CRI 70	On/Off, 0-10V, DALI, AutoDIM, StepDIM
LT2037.761-EN-T-CB-A-700-740	[T-CB-A] Tunnel, Counter beam, Type A	10325 lm	68 W	4000 K CRI 70	On/Off, 0-10V, DALI, AutoDIM, StepDIM
LT2037.761-EN-T-CB-B-350-730	[T-CB-B] Tunnel, Counter beam, Type B	6595 lm	45 W	3000 K CRI 70	On/Off, 0-10V, DALI, AutoDIM, StepDIM
LT2037.761-EN-T-CB-B-350-740	[T-CB-B] Tunnel, Counter beam, Type B	7375 lm	46 W	4000 K CRI 70	On/Off, 0-10V, DALI, AutoDIM, StepDIM
LT2037.761-EN-T-CB-B-500-730	[T-CB-B] Tunnel, Counter beam, Type B	6595 lm	45 W	3000 K CRI 70	On/Off, 0-10V, DALI, AutoDIM, StepDIM
LT2037.761-EN-T-CB-B-500-740	[T-CB-B] Tunnel, Counter beam, Type B	7375 lm	46 W	4000 K CRI 70	On/Off, 0-10V, DALI, AutoDIM, StepDIM
LT2037.761-EN-T-CB-B-700-730	[T-CB-B] Tunnel, Counter beam, Type B	9165 lm	68 W	3000 K CRI 70	On/Off, 0-10V, DALI, AutoDIM, StepDIM

**HPR Pazarlama A.Ş.**

Başkent OSB 22. Cd. No: 2, Malıköy, Temelli,  
Sincan, 06909 Ankara, Turkey  
+90 312 267 54 30  
info@hepergroup.com

**HEPER Europe GmbH**

Ahornweg 5a, 58675  
Hemer, Germany  
+49 237 2901 2975  
infoEU@hepergroup.com

We reserve the right to change specifications without prior written notice. Edition: 30.03.2024.  
For current version visit [heperlighting.com](http://heperlighting.com). All flux ( $\pm 7\%$  tolerance) and power values ( $\pm 10\%$  tolerance) are derived following appropriate IES, CIE, and applicable standards.

LT2037.761-EN-T-CB-B-700-740	[T-CB-B] Tunnel, Counter beam, Type B	9955 lm	68 W	4000 K CRI 70	On/Off, 0-10V, DALI, AutoDIM, StepDIM
LT2037.761-EN-T-SYM-A-350-730	[T-SYM-A] Tunnel, Symmetric, Type A	6725 lm	45 W	3000 K CRI 70	
LT2037.761-EN-T-SYM-A-350-740	[T-SYM-A] Tunnel, Symmetric, Type A	7515 lm	46 W	4000 K CRI 70	
LT2037.761-EN-T-SYM-A-500-730	[T-SYM-A] Tunnel, Symmetric, Type A	6725 lm	45 W	3000 K CRI 70	On/Off, 0-10V, DALI, AutoDIM, StepDIM
LT2037.761-EN-T-SYM-A-500-740	[T-SYM-A] Tunnel, Symmetric, Type A	7515 lm	46 W	4000 K CRI 70	On/Off, 0-10V, DALI, AutoDIM, StepDIM
LT2037.761-EN-T-SYM-A-700-730	[T-SYM-A] Tunnel, Symmetric, Type A	9340 lm	68 W	3000 K CRI 70	On/Off, 0-10V, DALI, AutoDIM, StepDIM
LT2037.761-EN-T-SYM-A-700-740	[T-SYM-A] Tunnel, Symmetric, Type A	10195 lm	68 W	4000 K CRI 70	On/Off, 0-10V, DALI, AutoDIM, StepDIM
LT2037.761-EN-T-SYM-B-350-730	[T-SYM-B] Tunnel, Symmetric, Type B	6650 lm	45 W	3000 K CRI 70	On/Off, 0-10V, DALI, AutoDIM, StepDIM
LT2037.761-EN-T-SYM-B-350-740	[T-SYM-B] Tunnel, Symmetric, Type B	7435 lm	46 W	4000 K CRI 70	On/Off, 0-10V, DALI, AutoDIM, StepDIM
LT2037.761-EN-T-SYM-B-500-730	[T-SYM-B] Tunnel, Symmetric, Type B	6650 lm	45 W	3000 K CRI 70	On/Off, 0-10V, DALI, AutoDIM, StepDIM
LT2037.761-EN-T-SYM-B-500-740	[T-SYM-B] Tunnel, Symmetric, Type B	7435 lm	46 W	4000 K CRI 70	On/Off, 0-10V, DALI, AutoDIM, StepDIM
LT2037.761-EN-T-SYM-B-700-730	[T-SYM-B] Tunnel, Symmetric, Type B	9235 lm	68 W	3000 K CRI 70	On/Off, 0-10V, DALI, AutoDIM, StepDIM
LT2037.761-EN-T-SYM-B-700-740	[T-SYM-B] Tunnel, Symmetric, Type B	10125 lm	68 W	4000 K CRI 70	On/Off, 0-10V, DALI, AutoDIM, StepDIM
LT2037.761-EN-T-SYM-C-350-730	[T-SYM-C] Tunnel, Symmetric, Type C	6760 lm	45 W	3000 K CRI 70	On/Off, 0-10V, DALI, AutoDIM, StepDIM
LT2037.761-EN-T-SYM-C-350-740	[T-SYM-C] Tunnel, Symmetric, Type C	7555 lm	46 W	4000 K CRI 70	On/Off, 0-10V, DALI, AutoDIM, StepDIM
LT2037.761-EN-T-SYM-C-500-730	[T-SYM-C] Tunnel, Symmetric, Type C	6760 lm	45 W	3000 K CRI 70	On/Off, 0-10V, DALI, AutoDIM, StepDIM
LT2037.761-EN-T-SYM-C-500-740	[T-SYM-C] Tunnel, Symmetric, Type C	7555 lm	46 W	4000 K CRI 70	On/Off, 0-10V, DALI, AutoDIM, StepDIM
LT2037.761-EN-T-SYM-C-700-730	[T-SYM-C] Tunnel, Symmetric, Type C	9390 lm	68 W	3000 K CRI 70	On/Off, 0-10V, DALI, AutoDIM, StepDIM

**HPR Pazarlama A.Ş.**

Başkent OSB 22. Cd. No: 2, Malıköy, Temelli,  
Sincan, 06909 Ankara, Turkey  
+90 312 267 54 30  
info@hepergroup.com

**HEPER Europe GmbH**

Ahornweg 5a, 58675  
Hemer, Germany  
+49 237 2901 2975  
infoEU@hepergroup.com

We reserve the right to change specifications without prior written notice. Edition: 30.03.2024.  
For current version visit [heperlighting.com](http://heperlighting.com). All flux ( $\pm 7\%$  tolerance) and power values ( $\pm 10\%$  tolerance) are derived following appropriate IES, CIE, and applicable standards.

LT2037.761-EN-T-SYM-C-700-740	[T-SYM-C] Tunnel, Symmetric, Type C	10275 lm	68 W	4000 K CRI 70	On/Off, 0-10V, DALI, AutoDIM, StepDIM
LT2037.761-EN-T-SYM-D-350-730	[T-SYM-D] Tunnel, Symmetric, Type D	6520 lm	45 W	3000 K CRI 70	On/Off, 0-10V, DALI, AutoDIM, StepDIM
LT2037.761-EN-T-SYM-D-350-740	[T-SYM-D] Tunnel, Symmetric, Type D	7295 lm	46 W	4000 K CRI 70	On/Off, 0-10V, DALI, AutoDIM, StepDIM
LT2037.761-EN-T-SYM-D-500-730	[T-SYM-D] Tunnel, Symmetric, Type D	6520 lm	45 W	3000 K CRI 70	On/Off, 0-10V, DALI, AutoDIM, StepDIM
LT2037.761-EN-T-SYM-D-500-740	[T-SYM-D] Tunnel, Symmetric, Type D	7295 lm	46 W	4000 K CRI 70	On/Off, 0-10V, DALI, AutoDIM, StepDIM
LT2037.761-EN-T-SYM-D-700-730	[T-SYM-D] Tunnel, Symmetric, Type D	9060 lm	68 W	3000 K CRI 70	On/Off, 0-10V, DALI, AutoDIM, StepDIM
LT2037.761-EN-T-SYM-D-700-740	[T-SYM-D] Tunnel, Symmetric, Type D	9875 lm	68 W	4000 K CRI 70	On/Off, 0-10V, DALI, AutoDIM, StepDIM