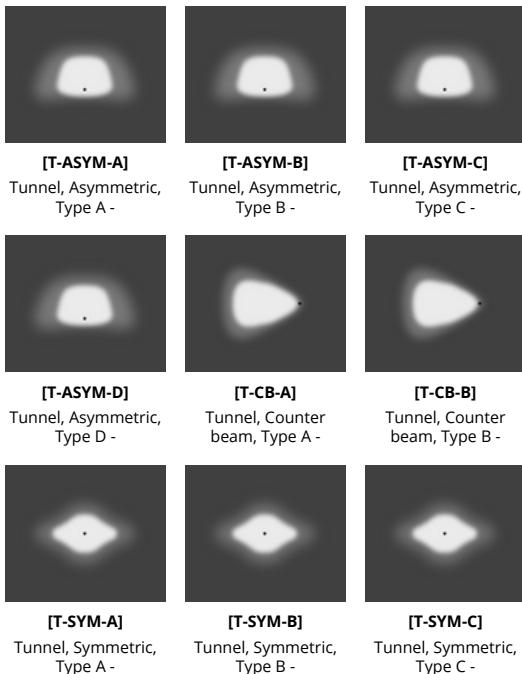
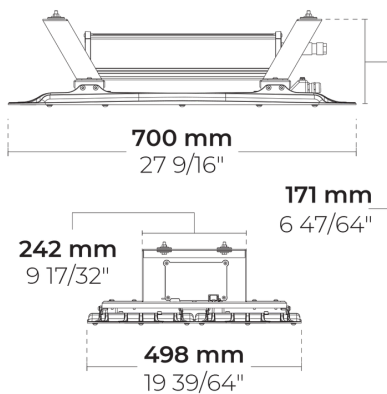


GOLEDO-T 160 LED

LT2037.760-US



Configurations

Light distribution	[T-ASYM-A], [T-ASYM-B], [T-ASYM-C], [T-ASYM-D], [T-CB-A], [T-CB-B], [T-SYM-A], [T-SYM-B], [T-SYM-C], [T-SYM-D]
Delivered lumens flux	23527 - 51505 lm
Rated input power	153 - 341 W
Color temperature	3000 K CRI 70, 4000 K CRI 70
Lifetime L90 (hour)	>102, 000
Lifetime L80 (hour)	>102, 000

Options

Control	On/Off, 0-10V *
Product colors	

Extras

External surge protection	10 kV
Luminaire body options	Double powder coating

Technical information

Mounting	Standard strap connection. Sliding mounting bracket is optional through extra
Housing	Corrosion resistant, die-cast, marine grade aluminum housing
Finishing	Chromate conversion pretreatment followed by electrostatic powder coating
Fasteners	Stainless steel (AISI 304 / EN 1.4301 grade)
Gasket	Silicone
Lens / Reflector	PMMA lens with high optical efficiency
Glass / Diffuser	Tempered safety glass
Impact protection	IK08
Ingress protection	IP66
Input voltage	120-277V 50/60Hz
Insulation class	Class I
Weight	41.34 lbs
LED module	High power LEDs on metal-core PCB
Driver	Internal LED driver
Driver surge protection	6/4 kV
Power factor	> 0.98
Through wiring	Single power cord entry
Operating temperature	-40...50°C
Power cord	40" of halogen-free power cord

* Please check the specific variant for each control type.



[T-SYM-D]

Tunnel, Symmetric,
Type D -

Project name		Type		Quantity	
Date		Note			
LT2037.760-US-__-__-__-__-__-__-__-__					
Light distribution	Rated input power	Color temperature	Control	Product colors	

<p>[T-ASYM-A] Tunnel, Asymmetric, Type A</p> <p>[T-ASYM-B] Tunnel, Asymmetric, Type B</p> <p>[T-ASYM-C] Tunnel, Asymmetric, Type C</p> <p>[T-ASYM-D] Tunnel, Asymmetric, Type D</p> <p>[T-CB-A] Tunnel, Counter beam, Type A</p> <p>[T-CB-B] Tunnel, Counter beam, Type B</p> <p>[T-SYM-A] Tunnel, Symmetric, Type A</p> <p>[T-SYM-B] Tunnel, Symmetric, Type B</p> <p>[T-SYM-C] Tunnel, Symmetric, Type C</p> <p>[T-SYM-D] Tunnel, Symmetric, Type D</p>	<p>[350] 153 W</p> <p>[350] 154 W</p> <p>[350] 156 W</p> <p>[350] 157 W</p> <p>[350] 158 W</p> <p>[350] 159 W</p> <p>[350] 160 W</p> <p>[350] 161 W</p> <p>[350] 163 W</p> <p>[500] 226 W</p> <p>[500] 227 W</p> <p>[500] 230 W</p> <p>[500] 232 W</p> <p>[500] 234 W</p> <p>[500] 235 W</p> <p>[500] 236 W</p> <p>[500] 237 W</p> <p>[500] 239 W</p> <p>[700] 339 W</p> <p>[700] 340 W</p> <p>[700] 341 W</p>	<p>[730] 3000 K CRI 70</p> <p>[740] 4000 K CRI 70</p>	<p>[ONOFF] On/Off</p> <p>[0-10V] 0-10V</p>	<p>[CC]  Custom color (Please specify RAL code)</p> <p>[7035]  Light gray (RAL 7035)</p>
<p>Extras</p>				

External surge protection
[SP10] 10 kV
Luminaire body options
[DPC] Double powder coating

Configuration code	Light distribution	Delivered lumens flux	Rated input power	Color temperature	Control
LT2037.760-US-T-ASYM-A-350-730	[T-ASYM-A] Tunnel, Asymmetric, Type A	24619 lm	154 W	3000 K CRI 70	
LT2037.760-US-T-ASYM-A-350-740	[T-ASYM-A] Tunnel, Asymmetric, Type A	27623 lm	161 W	4000 K CRI 70	
LT2037.760-US-T-ASYM-A-500-730	[T-ASYM-A] Tunnel, Asymmetric, Type A	34125 lm	227 W	3000 K CRI 70	
LT2037.760-US-T-ASYM-A-500-740	[T-ASYM-A] Tunnel, Asymmetric, Type A	38155 lm	237 W	4000 K CRI 70	
LT2037.760-US-T-ASYM-A-700-730	[T-ASYM-A] Tunnel, Asymmetric, Type A	47410 lm	340 W	3000 K CRI 70	
LT2037.760-US-T-ASYM-A-700-740	[T-ASYM-A] Tunnel, Asymmetric, Type A	50680 lm	340 W	4000 K CRI 70	On/Off, 0-10V, DALI, AutoDIM, StepDIM
LT2037.760-US-T-ASYM-B-350-730	[T-ASYM-B] Tunnel, Asymmetric, Type B	24111 lm	154 W	3000 K CRI 70	On/Off, 0-10V
LT2037.760-US-T-ASYM-B-350-740	[T-ASYM-B] Tunnel, Asymmetric, Type B	27057 lm	157 W	4000 K CRI 70	On/Off, 0-10V
LT2037.760-US-T-ASYM-B-500-730	[T-ASYM-B] Tunnel, Asymmetric, Type B	33430 lm	227 W	3000 K CRI 70	On/Off, 0-10V
LT2037.760-US-T-ASYM-B-500-740	[T-ASYM-B] Tunnel, Asymmetric, Type B	37370 lm	232 W	4000 K CRI 70	On/Off, 0-10V
LT2037.760-US-T-ASYM-B-700-730	[T-ASYM-B] Tunnel, Asymmetric, Type B	46440 lm	341 W	3000 K CRI 70	On/Off, 0-10V
LT2037.760-US-T-ASYM-B-700-740	[T-ASYM-B] Tunnel, Asymmetric, Type B	50960 lm	341 W	4000 K CRI 70	On/Off, 0-10V
LT2037.760-US-T-ASYM-C-350-730	[T-ASYM-C] Tunnel, Asymmetric, Type C	24724 lm	154 W	3000 K CRI 70	On/Off, 0-10V
LT2037.760-US-T-ASYM-C-350-740	[T-ASYM-C] Tunnel, Asymmetric, Type C	27743 lm	159 W	4000 K CRI 70	On/Off, 0-10V
LT2037.760-US-T-ASYM-C-500-730	[T-ASYM-C] Tunnel, Asymmetric, Type C	34275 lm	227 W	3000 K CRI 70	On/Off, 0-10V
LT2037.760-US-T-ASYM-C-500-740	[T-ASYM-C] Tunnel, Asymmetric, Type C	38315 lm	234 W	4000 K CRI 70	On/Off, 0-10V
LT2037.760-US-T-ASYM-C-700-730	[T-ASYM-C] Tunnel, Asymmetric, Type C	47615 lm	340 W	3000 K CRI 70	On/Off, 0-10V
LT2037.760-US-T-ASYM-C-700-740	[T-ASYM-C] Tunnel, Asymmetric, Type C	51505 lm	340 W	4000 K CRI 70	On/Off, 0-10V
LT2037.760-US-T-ASYM-D-350-730	[T-ASYM-D] Tunnel, Asymmetric, Type D	24726 lm	153 W	3000 K CRI 70	On/Off, 0-10V
LT2037.760-US-T-ASYM-D-350-740	[T-ASYM-D] Tunnel, Asymmetric, Type D	26608 lm	161 W	4000 K CRI 70	On/Off, 0-10V
LT2037.760-US-T-ASYM-D-500-730	[T-ASYM-D] Tunnel, Asymmetric, Type D	34275 lm	226 W	3000 K CRI 70	On/Off, 0-10V
LT2037.760-US-T-ASYM-D-500-740	[T-ASYM-D] Tunnel, Asymmetric, Type D	36750 lm	236 W	4000 K CRI 70	On/Off, 0-10V
LT2037.760-US-T-ASYM-D-700-730	[T-ASYM-D] Tunnel, Asymmetric, Type D	47615 lm	339 W	3000 K CRI 70	On/Off, 0-10V
LT2037.760-US-T-ASYM-D-700-740	[T-ASYM-D] Tunnel, Asymmetric, Type D	48850 lm	339 W	4000 K CRI 70	On/Off, 0-10V
LT2037.760-US-T-CB-A-350-730	[T-CB-A] Tunnel, Counter beam, Type A	24377 lm	153 W	3000 K CRI 70	
LT2037.760-US-T-CB-A-350-740	[T-CB-A] Tunnel, Counter beam, Type A	27565 lm	163 W	4000 K CRI 70	
LT2037.760-US-T-CB-A-500-730	[T-CB-A] Tunnel, Counter beam, Type A	33800 lm	226 W	3000 K CRI 70	
LT2037.760-US-T-CB-A-500-740	[T-CB-A] Tunnel, Counter beam, Type A	38070 lm	239 W	4000 K CRI 70	
LT2037.760-US-T-CB-A-700-730	[T-CB-A] Tunnel, Counter beam, Type A	47310 lm	340 W	3000 K CRI 70	
LT2037.760-US-T-CB-A-700-740	[T-CB-A] Tunnel, Counter beam, Type A	50085 lm	340 W	4000 K CRI 70	On/Off, 0-10V, DALI, AutoDIM, StepDIM
LT2037.760-US-T-CB-B-350-730	[T-CB-B] Tunnel, Counter beam, Type B	23527 lm	153 W	3000 K CRI 70	On/Off, 0-10V
LT2037.760-US-T-CB-B-350-740	[T-CB-B] Tunnel, Counter beam, Type B	26700 lm	160 W	4000 K CRI 70	On/Off, 0-10V
LT2037.760-US-T-CB-B-500-730	[T-CB-B] Tunnel, Counter beam, Type B	32620 lm	226 W	3000 K CRI 70	On/Off, 0-10V
LT2037.760-US-T-CB-B-500-740	[T-CB-B] Tunnel, Counter beam, Type B	36875 lm	236 W	4000 K CRI 70	On/Off, 0-10V
LT2037.760-US-T-CB-B-700-730	[T-CB-B] Tunnel, Counter beam, Type B	45825 lm	339 W	3000 K CRI 70	On/Off, 0-10V
LT2037.760-US-T-CB-B-700-740	[T-CB-B] Tunnel, Counter beam, Type B	49070 lm	339 W	4000 K CRI 70	On/Off, 0-10V
LT2037.760-US-T-SYM-A-350-730	[T-SYM-A] Tunnel, Symmetric, Type A	24566 lm	153 W	3000 K CRI 70	

LT2037.760-US-T-SYM-A-350-740	[T-SYM-A] Tunnel, Symmetric, Type A	27207 lm	156 W	4000 K CRI 70	
LT2037.760-US-T-SYM-A-500-730	[T-SYM-A] Tunnel, Symmetric, Type A	34055 lm	226 W	3000 K CRI 70	
LT2037.760-US-T-SYM-A-500-740	[T-SYM-A] Tunnel, Symmetric, Type A	37575 lm	230 W	4000 K CRI 70	
LT2037.760-US-T-SYM-A-700-730	[T-SYM-A] Tunnel, Symmetric, Type A	46695 lm	340 W	3000 K CRI 70	
LT2037.760-US-T-SYM-A-700-740	[T-SYM-A] Tunnel, Symmetric, Type A	51505 lm	340 W	4000 K CRI 70	
LT2037.760-US-T-SYM-B-350-730	[T-SYM-B] Tunnel, Symmetric, Type B	23792 lm	153 W	3000 K CRI 70	On/Off, 0-10V
LT2037.760-US-T-SYM-B-350-740	[T-SYM-B] Tunnel, Symmetric, Type B	26909 lm	158 W	4000 K CRI 70	On/Off, 0-10V
LT2037.760-US-T-SYM-B-500-730	[T-SYM-B] Tunnel, Symmetric, Type B	32985 lm	226 W	3000 K CRI 70	On/Off, 0-10V
LT2037.760-US-T-SYM-B-500-740	[T-SYM-B] Tunnel, Symmetric, Type B	37165 lm	232 W	4000 K CRI 70	On/Off, 0-10V
LT2037.760-US-T-SYM-B-700-730	[T-SYM-B] Tunnel, Symmetric, Type B	46180 lm	339 W	3000 K CRI 70	On/Off, 0-10V
LT2037.760-US-T-SYM-B-700-740	[T-SYM-B] Tunnel, Symmetric, Type B	50380 lm	339 W	4000 K CRI 70	On/Off, 0-10V
LT2037.760-US-T-SYM-C-350-730	[T-SYM-C] Tunnel, Symmetric, Type C	24247 lm	154 W	3000 K CRI 70	On/Off, 0-10V
LT2037.760-US-T-SYM-C-350-740	[T-SYM-C] Tunnel, Symmetric, Type C	27353 lm	159 W	4000 K CRI 70	On/Off, 0-10V
LT2037.760-US-T-SYM-C-500-730	[T-SYM-C] Tunnel, Symmetric, Type C	33610 lm	227 W	3000 K CRI 70	On/Off, 0-10V
LT2037.760-US-T-SYM-C-500-740	[T-SYM-C] Tunnel, Symmetric, Type C	37785 lm	234 W	4000 K CRI 70	On/Off, 0-10V
LT2037.760-US-T-SYM-C-700-730	[T-SYM-C] Tunnel, Symmetric, Type C	46950 lm	340 W	3000 K CRI 70	On/Off, 0-10V
LT2037.760-US-T-SYM-C-700-740	[T-SYM-C] Tunnel, Symmetric, Type C	50835 lm	340 W	4000 K CRI 70	On/Off, 0-10V
LT2037.760-US-T-SYM-D-350-730	[T-SYM-D] Tunnel, Symmetric, Type D	23981 lm	153 W	3000 K CRI 70	On/Off, 0-10V
LT2037.760-US-T-SYM-D-350-740	[T-SYM-D] Tunnel, Symmetric, Type D	26401 lm	159 W	4000 K CRI 70	On/Off, 0-10V
LT2037.760-US-T-SYM-D-500-730	[T-SYM-D] Tunnel, Symmetric, Type D	33245 lm	226 W	3000 K CRI 70	On/Off, 0-10V
LT2037.760-US-T-SYM-D-500-740	[T-SYM-D] Tunnel, Symmetric, Type D	36460 lm	235 W	4000 K CRI 70	On/Off, 0-10V
LT2037.760-US-T-SYM-D-700-730	[T-SYM-D] Tunnel, Symmetric, Type D	45310 lm	339 W	3000 K CRI 70	On/Off, 0-10V
LT2037.760-US-T-SYM-D-700-740	[T-SYM-D] Tunnel, Symmetric, Type D	48750 lm	339 W	4000 K CRI 70	On/Off, 0-10V