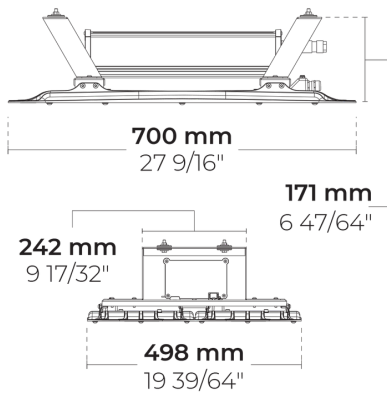
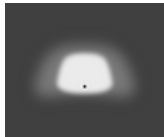


GOLEDO-T 160 LED

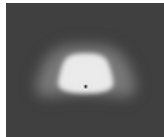
LT2037.760-EN



[2]



[T-ASYM-A]
Tunnel, Asymmetric,
Type A -



[T-ASYM-B]
Tunnel, Asymmetric,
Type B -



[T-ASYM-C]
Tunnel, Asymmetric,
Type C -



[T-ASYM-D]
Tunnel, Asymmetric,
Type D -



[T-CB-A]
Tunnel, Counter
beam, Type A -



[T-CB-B]
Tunnel, Counter
beam, Type B -



[T-SYM-A]
Tunnel, Symmetric,
Type A -



[T-SYM-B]
Tunnel, Symmetric,
Type B -

Variants

Light distribution	[2], [T-ASYM-A], [T-ASYM-B], [T-ASYM-C], [T-ASYM-D], [T-CB-A], [T-CB-B], [T-SYM-A], [T-SYM-B], [T-SYM-C], [T-SYM-D]
Delivered lumens flux	23527 - 51505 lm
Rated input power	153 - 341 W
Colour temperature	3000 K CRI 70, 4000 K CRI 70
Lifetime L90B50 (hour)	>102, 000
Lifetime L80B50 (hour)	>102, 000

Options

Control	On/Off, 0-10V, DALI, AutoDIM, StepDIM *
Product colours	

Extras

External surge protection	10 kV
Light output	Constant light output
Consult the factory	Class II, 120-277V 50/60Hz
Luminaire body options	Double powder coating

Technical information

Mounting	Standard strap connection. Sliding mounting bracket is optional through extra
Housing	Corrosion resistant, die-cast, marine grade aluminum housing
Finishing	Chromate conversion pretreatment followed by electrostatic powder coating
Fasteners	Stainless steel (AISI 304 / EN 1.4301 grade)
Gasket	Silicone
Lens / Reflector	PMMA lens with high optical efficiency
Glass / Diffuser	Tempered safety glass
Impact protection	IK08
Ingress protection	IP66
Input voltage	220-240V 50/60Hz
Insulation class	Class I
Weight	18.75 kg
LED module	High power LEDs on metal-core PCB
Driver	Internal LED driver
Driver surge protection	10/6 kV
Power factor	> 0.95
Through wiring	Single cable entry
Operating temperature	-40...50°C
Cable	1 m of halogen-free cable
Notes	This product can be supplied with Insulation class (Class II) upon request. Please contact factory.

* Please check the specific variant for each control type.

HPR Pazarlama A.Ş.
Başkent OSB 22. Cd. No: 2, Malıköy, Temelli,
Sincan, 06909 Ankara, Turkey
+90 312 267 54 30
info@hepergroup.com

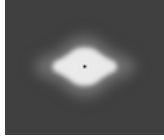
HEPER Europe GmbH
Ahornweg 5a, 58675
Hemer, Germany
+49 237 2901 2975
infoEU@hepergroup.com

We reserve the right to change specifications without prior written notice. Edition: 30.03.2024. For current version visit heperlighting.com. All flux (±7% tolerance) and power values (±10% tolerance) are derived following appropriate IES, CIE, and applicable standards.



[T-SYM-C]

Tunnel, Symmetric,
Type C -



[T-SYM-D]

Tunnel, Symmetric,
Type D -

Project name		Type		Quantity	
Date		Note			
LT2037.760-EN-__-__-__-__-EN-C1-__-__-__-__-__					
Light distribution	Rated input power	Colour temperature	Control	Product colours	

<p>[-2]</p> <p>[T-ASYM-A] Tunnel, Asymmetric, Type A</p> <p>[T-ASYM-B] Tunnel, Asymmetric, Type B</p> <p>[T-ASYM-C] Tunnel, Asymmetric, Type C</p> <p>[T-ASYM-D] Tunnel, Asymmetric, Type D</p> <p>[T-CB-A] Tunnel, Counter beam, Type A</p> <p>[T-CB-B] Tunnel, Counter beam, Type B</p> <p>[T-SYM-A] Tunnel, Symmetric, Type A</p> <p>[T-SYM-B] Tunnel, Symmetric, Type B</p> <p>[T-SYM-C] Tunnel, Symmetric, Type C</p> <p>[T-SYM-D] Tunnel, Symmetric, Type D</p>	<p>[350] 153 W</p> <p>[350] 154 W</p> <p>[350] 156 W</p> <p>[350] 157 W</p> <p>[350] 158 W</p> <p>[350] 159 W</p> <p>[350] 160 W</p> <p>[350] 161 W</p> <p>[350] 163 W</p> <p>[500] 226 W</p> <p>[500] 227 W</p> <p>[500] 230 W</p> <p>[500] 232 W</p> <p>[500] 234 W</p> <p>[500] 235 W</p> <p>[500] 236 W</p> <p>[500] 237 W</p> <p>[500] 239 W</p> <p>[700] 339 W</p> <p>[700] 340 W</p> <p>[700] 341 W</p>	<p>[730] 3000 K CRI 70</p> <p>[740] 4000 K CRI 70</p>	<p>[ONOFF] On/Off</p> <p>[0-10V] 0-10V</p> <p>[DALI] DALI</p> <p>[AUTO] AutoDIM</p> <p>[STEP] StepDIM</p>	<p>[CC]  Custom colour (Please specify RAL code)</p> <p>[7035]  Light grey (RAL 7035)</p>
<p>Extras</p>				

External surge protection
[SP10] 10 kV
Light output
[CLO] Constant light output
Consult the factory
[C2] Class II
[UNI] 120-277V 50/60Hz
Luminaire body options
[DPC] Double powder coating

Variant code	Light distribution	Delivered lumens flux	Rated input power	Colour temperature	Control
LT2037.760-EN-T-ASYM-A-350-730	[T-ASYM-A] Tunnel, Asymmetric, Type A	24619 lm	154 W	3000 K CRI 70	
LT2037.760-EN-T-ASYM-A-350-740	□				On/Off, 0-10V, DALI, AutoDIM, StepDIM
LT2037.760-EN-T-ASYM-A-500-730	[T-ASYM-A] Tunnel, Asymmetric, Type A	34125 lm	227 W	3000 K CRI 70	
LT2037.760-EN-T-ASYM-A-500-740	[T-ASYM-A] Tunnel, Asymmetric, Type A	38155 lm	237 W	4000 K CRI 70	
LT2037.760-EN-T-ASYM-A-700-730	[T-ASYM-A] Tunnel, Asymmetric, Type A	47410 lm	340 W	3000 K CRI 70	
LT2037.760-EN-T-ASYM-A-700-740	[T-ASYM-A] Tunnel, Asymmetric, Type A	50680 lm	340 W	4000 K CRI 70	On/Off, 0-10V, DALI, AutoDIM, StepDIM
LT2037.760-EN-T-ASYM-B-350-730	[T-ASYM-B] Tunnel, Asymmetric, Type B	24111 lm	154 W	3000 K CRI 70	On/Off, 0-10V, DALI, AutoDIM, StepDIM
LT2037.760-EN-T-ASYM-B-350-740	[T-ASYM-B] Tunnel, Asymmetric, Type B	27057 lm	157 W	4000 K CRI 70	On/Off, 0-10V, DALI, AutoDIM, StepDIM
LT2037.760-EN-T-ASYM-B-500-730	[T-ASYM-B] Tunnel, Asymmetric, Type B	33430 lm	227 W	3000 K CRI 70	On/Off, 0-10V, DALI, AutoDIM, StepDIM
LT2037.760-EN-T-ASYM-B-500-740	[T-ASYM-B] Tunnel, Asymmetric, Type B	37370 lm	232 W	4000 K CRI 70	On/Off, 0-10V, DALI, AutoDIM, StepDIM
LT2037.760-EN-T-ASYM-B-700-730	[T-ASYM-B] Tunnel, Asymmetric, Type B	46440 lm	341 W	3000 K CRI 70	On/Off, 0-10V, DALI, AutoDIM, StepDIM
LT2037.760-EN-T-ASYM-B-700-740	[T-ASYM-B] Tunnel, Asymmetric, Type B	50960 lm	341 W	4000 K CRI 70	On/Off, 0-10V, DALI, AutoDIM, StepDIM
LT2037.760-EN-T-ASYM-C-350-730	[T-ASYM-C] Tunnel, Asymmetric, Type C	24724 lm	154 W	3000 K CRI 70	On/Off, 0-10V, DALI, AutoDIM, StepDIM
LT2037.760-EN-T-ASYM-C-350-740	[T-ASYM-C] Tunnel, Asymmetric, Type C	27743 lm	159 W	4000 K CRI 70	On/Off, 0-10V, DALI, AutoDIM, StepDIM
LT2037.760-EN-T-ASYM-C-500-730	[T-ASYM-C] Tunnel, Asymmetric, Type C	34275 lm	227 W	3000 K CRI 70	On/Off, 0-10V, DALI, AutoDIM, StepDIM
LT2037.760-EN-T-ASYM-C-500-740	[T-ASYM-C] Tunnel, Asymmetric, Type C	38315 lm	234 W	4000 K CRI 70	On/Off, 0-10V, DALI, AutoDIM, StepDIM
LT2037.760-EN-T-ASYM-C-700-730	[T-ASYM-C] Tunnel, Asymmetric, Type C	47615 lm	340 W	3000 K CRI 70	On/Off, 0-10V, DALI, AutoDIM, StepDIM
LT2037.760-EN-T-ASYM-C-700-740	[T-ASYM-C] Tunnel, Asymmetric, Type C	51505 lm	340 W	4000 K CRI 70	On/Off, 0-10V, DALI, AutoDIM, StepDIM

HPR Pazarlama A.Ş.

Başkent OSB 22. Cd. No: 2, Malıköy, Temelli,
Sincan, 06909 Ankara, Turkey
+90 312 267 54 30
info@hepergroup.com

HEPER Europe GmbH

Ahornweg 5a, 58675
Hemer, Germany
+49 237 2901 2975
infoEU@hepergroup.com

We reserve the right to change specifications without prior written notice. Edition: 30.03.2024.
For current version visit heperlighting.com. All flux (±%7 tolerance) and power values (±%10 tolerance) are derived following appropriate IES, CIE, and applicable standards.

LT2037.760-EN-T-ASYM-D-350-730	[T-ASYM-D] Tunnel, Asymmetric, Type D	24726 lm	153 W	3000 K CRI 70	On/Off, 0-10V, DALI, AutoDIM, StepDIM
LT2037.760-EN-T-ASYM-D-350-740	[T-ASYM-D] Tunnel, Asymmetric, Type D	26608 lm	161 W	4000 K CRI 70	On/Off, 0-10V, DALI, AutoDIM, StepDIM
LT2037.760-EN-T-ASYM-D-500-730	[T-ASYM-D] Tunnel, Asymmetric, Type D	34275 lm	226 W	3000 K CRI 70	On/Off, 0-10V, DALI, AutoDIM, StepDIM
LT2037.760-EN-T-ASYM-D-500-740	[T-ASYM-D] Tunnel, Asymmetric, Type D	36750 lm	236 W	4000 K CRI 70	On/Off, 0-10V, DALI, AutoDIM, StepDIM
LT2037.760-EN-T-ASYM-D-700-730	[T-ASYM-D] Tunnel, Asymmetric, Type D	47615 lm	339 W	3000 K CRI 70	On/Off, 0-10V, DALI, AutoDIM, StepDIM
LT2037.760-EN-T-ASYM-D-700-740	[T-ASYM-D] Tunnel, Asymmetric, Type D	48850 lm	339 W	4000 K CRI 70	On/Off, 0-10V, DALI, AutoDIM, StepDIM
LT2037.760-EN-T-CB-A-350-730	[T-CB-A] Tunnel, Counter beam, Type A	24377 lm	153 W	3000 K CRI 70	
LT2037.760-EN-T-CB-A-350-740	[T-CB-A] Tunnel, Counter beam, Type A	27565 lm	163 W	4000 K CRI 70	
LT2037.760-EN-T-CB-A-500-730	[T-CB-A] Tunnel, Counter beam, Type A	33800 lm	226 W	3000 K CRI 70	
LT2037.760-EN-T-CB-A-500-740	[T-CB-A] Tunnel, Counter beam, Type A	38070 lm	239 W	4000 K CRI 70	
LT2037.760-EN-T-CB-A-700-730	[T-CB-A] Tunnel, Counter beam, Type A	47310 lm	340 W	3000 K CRI 70	
LT2037.760-EN-T-CB-A-700-740	[T-CB-A] Tunnel, Counter beam, Type A	50085 lm	340 W	4000 K CRI 70	On/Off, 0-10V, DALI, AutoDIM, StepDIM
LT2037.760-EN-T-CB-B-350-730	[T-CB-B] Tunnel, Counter beam, Type B	23527 lm	153 W	3000 K CRI 70	On/Off, 0-10V, DALI, AutoDIM, StepDIM
LT2037.760-EN-T-CB-B-350-740	[T-CB-B] Tunnel, Counter beam, Type B	26700 lm	160 W	4000 K CRI 70	On/Off, 0-10V, DALI, AutoDIM, StepDIM
LT2037.760-EN-T-CB-B-500-730	[T-CB-B] Tunnel, Counter beam, Type B	32620 lm	226 W	3000 K CRI 70	On/Off, 0-10V, DALI, AutoDIM, StepDIM
LT2037.760-EN-T-CB-B-500-740	[T-CB-B] Tunnel, Counter beam, Type B	36875 lm	236 W	4000 K CRI 70	On/Off, 0-10V, DALI, AutoDIM, StepDIM
LT2037.760-EN-T-CB-B-700-730	[T-CB-B] Tunnel, Counter beam, Type B	45825 lm	339 W	3000 K CRI 70	On/Off, 0-10V, DALI, AutoDIM, StepDIM
LT2037.760-EN-T-CB-B-700-740	[T-CB-B] Tunnel, Counter beam, Type B	49070 lm	339 W	4000 K CRI 70	On/Off, 0-10V, DALI, AutoDIM, StepDIM
LT2037.760-EN-T-SYM-A-350-730	[T-SYM-A] Tunnel, Symmetric, Type A	24566 lm	153 W	3000 K CRI 70	
LT2037.760-EN-T-SYM-A-350-740	[T-SYM-A] Tunnel, Symmetric, Type A	27207 lm	156 W	4000 K CRI 70	
LT2037.760-EN-T-SYM-A-500-730	[T-SYM-A] Tunnel, Symmetric, Type A	34055 lm	226 W	3000 K CRI 70	
LT2037.760-EN-T-SYM-A-500-740	[T-SYM-A] Tunnel, Symmetric, Type A	37575 lm	230 W	4000 K CRI 70	
LT2037.760-EN-T-SYM-A-700-730	[T-SYM-A] Tunnel, Symmetric, Type A	46695 lm	340 W	3000 K CRI 70	

HPR Pazarlama A.Ş.

Başkent OSB 22. Cd. No: 2, Malıköy, Temelli,
Sincan, 06909 Ankara, Turkey
+90 312 267 54 30
info@hepergroup.com

HEPER Europe GmbH

Ahornweg 5a, 58675
Hemer, Germany
+49 237 2901 2975
infoEU@hepergroup.com

We reserve the right to change specifications without prior written notice. Edition: 30.03.2024.
For current version visit heperlighting.com. All flux (±%7 tolerance) and power values (±%10 tolerance) are derived following appropriate IES, CIE, and applicable standards.

LT2037.760-EN-T-SYM-A-700-740	[T-SYM-A] Tunnel, Symmetric, Type A	51505 lm	340 W	4000 K CRI 70	
LT2037.760-EN-T-SYM-B-350-730	[T-SYM-B] Tunnel, Symmetric, Type B	23792 lm	153 W	3000 K CRI 70	On/Off, 0-10V, DALI, AutoDIM, StepDIM
LT2037.760-EN-T-SYM-B-350-740	[T-SYM-B] Tunnel, Symmetric, Type B	26909 lm	158 W	4000 K CRI 70	On/Off, 0-10V, DALI, AutoDIM, StepDIM
LT2037.760-EN-T-SYM-B-500-730	[T-SYM-B] Tunnel, Symmetric, Type B	32985 lm	226 W	3000 K CRI 70	On/Off, 0-10V, DALI, AutoDIM, StepDIM
LT2037.760-EN-T-SYM-B-500-740	[T-SYM-B] Tunnel, Symmetric, Type B	37165 lm	232 W	4000 K CRI 70	On/Off, 0-10V, DALI, AutoDIM, StepDIM
LT2037.760-EN-T-SYM-B-700-730	[T-SYM-B] Tunnel, Symmetric, Type B	46180 lm	339 W	3000 K CRI 70	On/Off, 0-10V, DALI, AutoDIM, StepDIM
LT2037.760-EN-T-SYM-B-700-740	[T-SYM-B] Tunnel, Symmetric, Type B	50380 lm	339 W	4000 K CRI 70	On/Off, 0-10V, DALI, AutoDIM, StepDIM
LT2037.760-EN-T-SYM-C-350-730	[T-SYM-C] Tunnel, Symmetric, Type C	24247 lm	154 W	3000 K CRI 70	On/Off, 0-10V, DALI, AutoDIM, StepDIM
LT2037.760-EN-T-SYM-C-350-740	[T-SYM-C] Tunnel, Symmetric, Type C	27353 lm	159 W	4000 K CRI 70	On/Off, 0-10V, DALI, AutoDIM, StepDIM
LT2037.760-EN-T-SYM-C-500-730	[T-SYM-C] Tunnel, Symmetric, Type C	33610 lm	227 W	3000 K CRI 70	On/Off, 0-10V, DALI, AutoDIM, StepDIM
LT2037.760-EN-T-SYM-C-500-740	[T-SYM-C] Tunnel, Symmetric, Type C	37785 lm	234 W	4000 K CRI 70	On/Off, 0-10V, DALI, AutoDIM, StepDIM
LT2037.760-EN-T-SYM-C-700-730	[T-SYM-C] Tunnel, Symmetric, Type C	46950 lm	340 W	3000 K CRI 70	On/Off, 0-10V, DALI, AutoDIM, StepDIM
LT2037.760-EN-T-SYM-C-700-740	[T-SYM-C] Tunnel, Symmetric, Type C	50835 lm	340 W	4000 K CRI 70	On/Off, 0-10V, DALI, AutoDIM, StepDIM
LT2037.760-EN-T-SYM-D-350-730	[T-SYM-D] Tunnel, Symmetric, Type D	23981 lm	153 W	3000 K CRI 70	On/Off, 0-10V, DALI, AutoDIM, StepDIM
LT2037.760-EN-T-SYM-D-350-740	[T-SYM-D] Tunnel, Symmetric, Type D	26401 lm	159 W	4000 K CRI 70	On/Off, 0-10V, DALI, AutoDIM, StepDIM
LT2037.760-EN-T-SYM-D-500-730	[T-SYM-D] Tunnel, Symmetric, Type D	33245 lm	226 W	3000 K CRI 70	On/Off, 0-10V, DALI, AutoDIM, StepDIM
LT2037.760-EN-T-SYM-D-500-740	[T-SYM-D] Tunnel, Symmetric, Type D	36460 lm	235 W	4000 K CRI 70	On/Off, 0-10V, DALI, AutoDIM, StepDIM

HPR Pazarlama A.Ş.

Başkent OSB 22. Cd. No: 2, Malıköy, Temelli,
Sincan, 06909 Ankara, Turkey
+90 312 267 54 30
info@hepergroup.com

HEPER Europe GmbH

Ahornweg 5a, 58675
Hemer, Germany
+49 237 2901 2975
infoEU@hepergroup.com

We reserve the right to change specifications without prior written notice. Edition: 30.03.2024.
For current version visit heperlighting.com. All flux (±%7 tolerance) and power values (±%10 tolerance) are derived following appropriate IES, CIE, and applicable standards.

LT2037.760-EN-T-SYM-D-700-730	[T-SYM-D] Tunnel, Symmetric, Type D	45310 lm	339 W	3000 K CRI 70	On/Off, 0-10V, DALI, AutoDIM, StepDIM
LT2037.760-EN-T-SYM-D-700-740	[T-SYM-D] Tunnel, Symmetric, Type D	48750 lm	339 W	4000 K CRI 70	On/Off, 0-10V, DALI, AutoDIM, StepDIM