
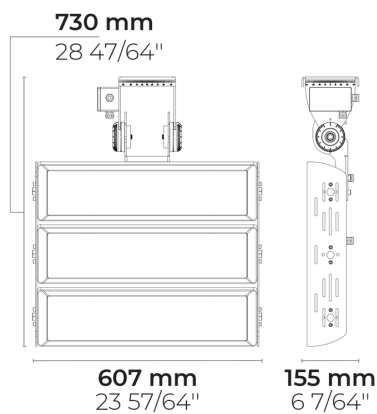


# REGIO V2 IN 3 Module

LF8039.541-EN

CE UK CA IK08 IP66 



[EL-2]  
Elliptical - 35x85°



[MN]  
Medium narrow - 30°

## Variants

<b>Light distribution</b>	[EL-2] 35x85°, [MN] 30°
<b>Delivered lumens flux</b>	176072 - 221879 lm
<b>Rated input power</b>	1480 W
<b>Colour temperature</b>	2700 K CRI 80, 3000 K CRI 80, 4000 K CRI 70, 4000 K CRI 80, 5700 K CRI 90
<b>Lifetime L90B50 (hour)</b>	>52,000
<b>Lifetime L80B50 (hour)</b>	>52,000

## Options

<b>Control</b>	DALI
<b>Product colours</b>	  

## Extras

<b>Consult the factory</b>	120-277V 50/60Hz
----------------------------	------------------

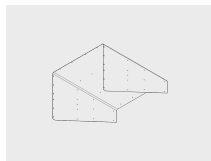
## Technical information

<b>Mounting</b>	Direct tray mountable
<b>Tilt angle</b>	90°
<b>Rotation angle</b>	±63°
<b>Housing</b>	Corrosion resistant, die-cast, marine grade aluminum housing
<b>Finishing</b>	Chromate conversion pretreatment followed by electrostatic powder coating
<b>Fasteners</b>	Stainless steel (AISI 304 / EN 1.4301 grade)
<b>Gasket</b>	Silicone
<b>Glass / Diffuser</b>	Tempered safety glass
<b>Impact protection</b>	IK08
<b>Ingress protection</b>	IP66
<b>Input voltage</b>	220-240V 50/60Hz
<b>Insulation class</b>	Class I
<b>Weight</b>	27.1 kg
<b>Driver</b>	External LED driver
<b>Driver surge protection</b>	10/6 kV
<b>Power factor</b>	> 0.99
<b>Through wiring</b>	Single cable entry
<b>Operating temperature</b>	-40...50°C
<b>Cable</b>	1 m of flexible cable

## Accessories (To be ordered separately)

---

### Optical accessories






### Visor for REGIO V2 3 Module

100139032

Project name		Type		Quantity	
Date		Note			

**LF8039.541-EN-\_\_-\_\_-\_\_-\_\_-EN-C1-\_\_-\_\_**

Light distribution	Rated input power	Colour temperature	Control	Product colours
<b>[EL-2]</b> Elliptical - 35x85°  <b>[MN]</b> Medium narrow - 30°	<b>[1090]</b> 1480 W	<b>[827]</b> 2700 K CRI 80  <b>[830]</b> 3000 K CRI 80  <b>[740]</b> 4000 K CRI 70  <b>[840]</b> 4000 K CRI 80  <b>[957]</b> 5700 K CRI 90	<b>[DALI]</b> DALI	<b>[HM3]</b>  Anthracite grey  <b>[HM4]</b>  Light grey  <b>[CC]</b>  Custom colour (Please specify RAL code)
<b>Extras</b>	<b>Accessories (<i>To be ordered separately</i>)</b>			
<b>Consult the factory</b>	<b>Optical accessories</b>			
<b>[UNI]</b> 120-277V 50/60Hz	<b>[100139032]</b> Visor for REGIO V2 3 Module			

Variant code	Light distribution	Delivered lumens flux	Rated input power	Colour temperature	Control
LF8039.541-EN-MN-1090-740	[MN] Medium narrow - 30°	221879 lm	1480 W	4000 K CRI 70	On/Off, DALI
LF8039.541-EN-MN-1090-827	[MN] Medium narrow - 30°	186753 lm	1480 W	2700 K CRI 80	On/Off, DALI
LF8039.541-EN-MN-1090-830	[MN] Medium narrow - 30°	186960 lm	1480 W	3000 K CRI 80	On/Off, DALI
LF8039.541-EN-MN-1090-840	[MN] Medium narrow - 30°	202992 lm	1480 W	4000 K CRI 80	On/Off, DALI
LF8039.541-EN-MN-1090-957	[MN] Medium narrow - 30°	180437 lm	1480 W	5700 K CRI 90	On/Off, DALI
LF8039.541-EN-EL-2-1090-740	[EL-2] Elliptical - 35x85°	220959 lm	1480 W	4000 K CRI 70	On/Off, DALI
LF8039.541-EN-EL-2-1090-827	[EL-2] Elliptical - 35x85°	182234 lm	1480 W	2700 K CRI 80	On/Off, DALI
LF8039.541-EN-EL-2-1090-830	[EL-2] Elliptical - 35x85°	182185 lm	1480 W	3000 K CRI 80	On/Off, DALI
LF8039.541-EN-EL-2-1090-840	[EL-2] Elliptical - 35x85°	198081 lm	1480 W	4000 K CRI 80	On/Off, DALI
LF8039.541-EN-EL-2-1090-957	[EL-2] Elliptical - 35x85°	176072 lm	1480 W	5700 K CRI 90	On/Off, DALI