
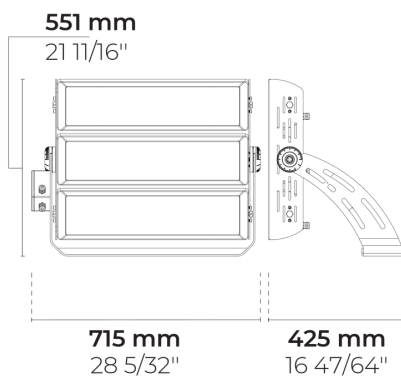


REGIO V2 R HP 3 Module

LF8038.563-EN

CE UK CA IK08 IP66 

heper⁺



[EL]
Elliptical - 20x30°

[EL-2]
Elliptical - 35x85°

Variants

Light distribution	[EL] 20x30°, [EL-2] 35x85°
Delivered lumens flux	64997 - 218026 lm
Rated input power	580 - 1780 W
Colour temperature	2700 K CRI 80, 3000 K CRI 80
Lifetime L90B50 (hour)	>52, 000
Lifetime L80B50 (hour)	>52, 000

Options

Product colours



Extras

Consult the factory

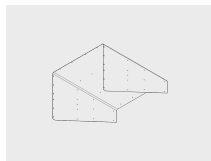
120-277V 50/60Hz

Technical information

Mounting	Surface mountable via a bracket
Tilt angle	+110°/-180°
Rotation angle	±6.5°
Housing	Corrosion resistant, die-cast, marine grade aluminum housing
Finishing	Chromate conversion pretreatment followed by electrostatic powder coating
Fasteners	Stainless steel (AISI 304 / EN 1.4301 grade)
Gasket	Silicone
Glass / Diffuser	Tempered safety glass
Impact protection	IK08
Ingress protection	IP66
Input voltage	220-240V 50/60Hz
Insulation class	Class I
Weight	28.8 kg
Driver	External LED driver
Driver surge protection	10/6 kV
Power factor	> 0.99
Through wiring	Single cable entry
Operating temperature	-40...50°C
Cable	1 m of flexible cable

Accessories (To be ordered separately)

Optical accessories






Visor for REGIO V2 3 Module

100139032

Project name		Type		Quantity	
Date		Note			

LF8038.563-EN-__-__-__-__-EN-C1-__-__

Light distribution	Rated input power	Colour temperature	Control	Product colours
[EL] Elliptical - 20x30°	[4280] 580 W	[827] 2700 K CRI 80		[HM3]  Anthracite grey
[EL-2] Elliptical - 35x85°	[2170] 780 W	[830] 3000 K CRI 80		[HM4]  Light grey
	[1453] 1480 W			[CC]  Custom colour (Please specify RAL code)
	[1837] 1780 W			
Extras	Accessories (<i>To be ordered separately</i>)			
Consult the factory	Optical accessories			
[UNI] 120-277V 50/60Hz	[100139032] Visor for REGIO V2 3 Module			

Variant code	Light distribution	Delivered lumens flux	Rated input power	Colour temperature	Control
LF8038.563-EN-SLFB-1700-740	[EL] Elliptical - 20x30°	176020 lm	1480 W	2700 K CRI 80	DALI
LF8038.563-EN-SLFB-1700-827	[EL] Elliptical - 20x30°	65077 lm	580 W	2700 K CRI 80	DALI
LF8038.563-EN-SLFB-1700-840	[EL] Elliptical - 20x30°	64997 lm	580 W	3000 K CRI 80	DALI
LF8038.563-EN-SLFB-1700-830	[EL-2] Elliptical - 35x85°	91016 lm	780 W	2700 K CRI 80	DALI
LF8038.563-EN-SLFB-1700-957	[EL-2] Elliptical - 35x85°	218026 lm	1780 W	2700 K CRI 80	DALI