
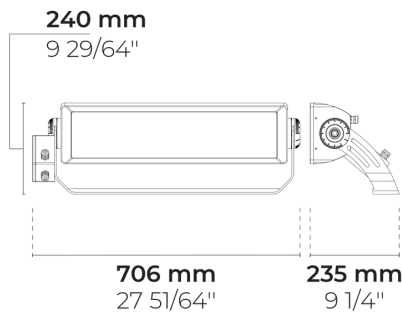


REGIO V2 R 1 Module

LF8038.551-EN

CE UK CA IK08 IP66 

heper⁺



[N]
Narrow - 15°

[MN]
Medium narrow - 30°

Variants

Light distribution	[N] 15°, [MN] 30°
Delivered lumens flux	40949 - 186753 lm
Rated input power	380 - 1480 W
Colour temperature	2700 K CRI 80, 3000 K CRI 80
Lifetime L90B50 (hour)	>52, 000
Lifetime L80B50 (hour)	>52, 000

Options

Product colours



Extras

Consult the factory

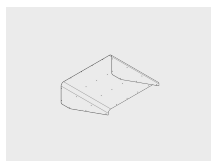
120-277V 50/60Hz

Technical information

Mounting	Surface mountable via a bracket
Tilt angle	+110°/-180°
Rotation angle	±4°
Housing	Corrosion resistant, die-cast, marine grade aluminum housing
Finishing	Chromate conversion pretreatment followed by electrostatic powder coating
Fasteners	Stainless steel (AISI 304 / EN 1.4301 grade)
Gasket	Silicone
Glass / Diffuser	Tempered safety glass
Impact protection	IK08
Ingress protection	IP66
Input voltage	220-240V 50/60Hz
Insulation class	Class I
Weight	12.1 kg
Driver	External LED driver
Driver surge protection	10/6 kV
Power factor	> 0.99
Through wiring	Single cable entry
Operating temperature	-40...50°C
Cable	1 m of flexible cable

Accessories (To be ordered separately)

Optical accessories






Visor for REGIO V2 1 Module

100139030

Project name		Type		Quantity	
Date		Note			

LF8038.551-EN-__-__-__-__-EN-C1-__-__

Light distribution	Rated input power	Colour temperature	Control	Product colours
[N] Narrow - 15°	[2100] 380 W	[827] 2700 K CRI 80		[HM3]  Anthracite grey
[MN] Medium narrow - 30°	[4280] 580 W	[830] 3000 K CRI 80		[HM4]  Light grey
	[2910] 1180 W			[CC]  Custom colour (Please specify RAL code)
	[1090] 1480 W			
Extras	Accessories (<i>To be ordered separately</i>)			
Consult the factory	Optical accessories			
[UNI] 120-277V 50/60Hz	[100139030] Visor for REGIO V2 1 Module			

Variant code	Light distribution	Delivered lumens flux	Rated input power	Colour temperature	Control
LF8038.551-EN-SLFB-1960-740	[N] Narrow - 15°	135541 lm	1180 W	2700 K CRI 80	DALI
LF8038.551-EN-SLFB-1960-827	[N] Narrow - 15°	40949 lm	380 W	2700 K CRI 80	DALI
LF8038.551-EN-SLFB-1960-840	[N] Narrow - 15°	44034 lm	380 W	3000 K CRI 80	DALI
LF8038.551-EN-SLFB-1960-830	[MN] Medium narrow - 30°	73966 lm	580 W	2700 K CRI 80	DALI
LF8038.551-EN-SLFB-1960-957	[MN] Medium narrow - 30°	186753 lm	1480 W	2700 K CRI 80	DALI