


REGIO V2 HP 1 Module

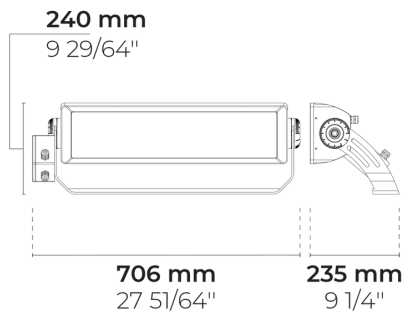
LF8038.503-EN

CE UK CA IK08 IP66 

heper⁺



UPCOMING



[EL-2]
Elliptical - 35x85°

[MN]
Medium narrow - 30°

Variants

Light distribution	[EL-2] 35x85°, [MN] 30°
Delivered lumens flux	68449 - 86420 lm
Rated input power	580 W
Colour temperature	2700 K CRI 80, 3000 K CRI 80, 4000 K CRI 70, 4000 K CRI 80, 5700 K CRI 90
Lifetime L90B50 (hour)	>52,000
Lifetime L80B50 (hour)	>52,000

Options

Control	DALI
Product colours	  

Extras

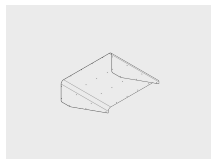
Consult the factory	120-277V 50/60Hz
----------------------------	------------------

Technical information

Mounting	Surface mountable via a bracket
Tilt angle	+110°/-180°
Rotation angle	±4°
Housing	Corrosion resistant, die-cast, marine grade aluminum housing
Finishing	Chromate conversion pretreatment followed by electrostatic powder coating
Fasteners	Stainless steel (AISI 304 / EN 1.4301 grade)
Gasket	Silicone
Glass / Diffuser	Tempered safety glass
Impact protection	IK08
Ingress protection	IP66
Input voltage	220-240V 50/60Hz
Insulation class	Class I
Weight	12.1 kg
Driver	External LED driver
Driver surge protection	10/6 kV
Power factor	> 0.99
Through wiring	Single cable entry
Operating temperature	-40...50°C
Cable	1 m of flexible cable

Accessories (To be ordered separately)

Optical accessories






Visor for REGIO V2 1 Module

100139030

Project name		Type		Quantity	
Date		Note			

LF8038.503-EN-__-__-__-__-EN-C1-__-__

Light distribution	Rated input power	Colour temperature	Control	Product colours
[EL-2] Elliptical - 35x85° [MN] Medium narrow - 30°	[4280] 580 W	[827] 2700 K CRI 80 [830] 3000 K CRI 80 [740] 4000 K CRI 70 [840] 4000 K CRI 80 [957] 5700 K CRI 90	[DALI] DALI	[HM3]  Anthracite grey [HM4]  Light grey [CC]  Custom colour (Please specify RAL code)
Extras	Accessories (<i>To be ordered separately</i>)			
Consult the factory	Optical accessories			
[UNI] 120-277V 50/60Hz	[100139030] Visor for REGIO V2 1 Module			

Variant code	Light distribution	Delivered lumens flux	Rated input power	Colour temperature	Control
LF8038.503-EN-MN-4280-740	[MN] Medium narrow - 30°	86420 lm	580 W	4000 K CRI 70	On/Off, DALI
LF8038.503-EN-MN-4280-827	[MN] Medium narrow - 30°	73966 lm	580 W	2700 K CRI 80	On/Off, DALI
LF8038.503-EN-MN-4280-830	[MN] Medium narrow - 30°	73966 lm	580 W	3000 K CRI 80	On/Off, DALI
LF8038.503-EN-MN-4280-840	[MN] Medium narrow - 30°	80398 lm	580 W	4000 K CRI 80	On/Off, DALI
LF8038.503-EN-MN-4280-957	[MN] Medium narrow - 30°	71464 lm	580 W	5700 K CRI 90	On/Off, DALI
LF8038.503-EN-EL-2-4280-740	[EL-2] Elliptical - 35x85°	84068 lm	580 W	4000 K CRI 70	On/Off, DALI
LF8038.503-EN-EL-2-4280-827	[EL-2] Elliptical - 35x85°	71082 lm	580 W	2700 K CRI 80	On/Off, DALI
LF8038.503-EN-EL-2-4280-830	[EL-2] Elliptical - 35x85°	71022 lm	580 W	3000 K CRI 80	On/Off, DALI
LF8038.503-EN-EL-2-4280-840	[EL-2] Elliptical - 35x85°	77263 lm	580 W	4000 K CRI 80	On/Off, DALI
LF8038.503-EN-EL-2-4280-957	[EL-2] Elliptical - 35x85°	68449 lm	580 W	5700 K CRI 90	On/Off, DALI