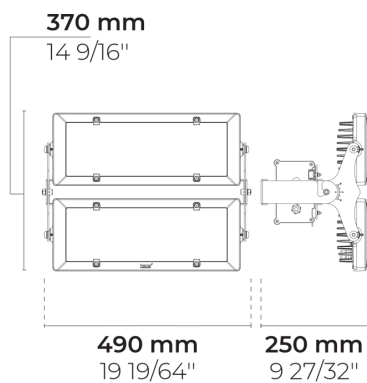


REGIO IN 2 Module

LF8037.522-US



PHASED-OUT



[-2]
- 26°



[EL]
Elliptical - 15x40°



[N]
Narrow - NEMA Type 2 - 22°



[MN]
Medium narrow -
NEMA Type 3 - 30°



[M]
Medium - NEMA
Type 4 - 50°



[W]
Wide - NEMA Type 6 -
111°

Configurations

Light distribution	[-2] 26°, [EL] 15x40°, [N] 22°, [MN] 30°, [M] 50°, [W] 111°
Delivered lumens flux	46744 - 55652 lm
Rated input power	459 - 460 W
Color temperature	3000 K CRI 80, 4000 K CRI 80
Lifetime L90 (hour)	>102,000
Lifetime L80 (hour)	>102,000

Options

Control	On/Off, 0-10V
Product colors	

Extras




Luminaire body options	Double powder coating
-------------------------------	-----------------------

Technical information

Mounting	Direct tray mountable
Tilt angle	+30°/-30°
Housing	Corrosion resistant, die-cast, marine grade aluminum housing
Finishing	Chromate conversion pretreatment followed by electrostatic powder coating
Fasteners	Stainless steel (AISI 304 / EN 1.4301 grade)
Gasket	Silicone rubber
Lens / Reflector	PMMA lens with high optical efficiency
Glass / Diffusor	Tempered safety glass
Impact protection	IK08
Ingress protection	IP66
Input voltage	120-277V 50/60Hz
Insulation class	Class I
Weight	36.6 lbs
LED module	High power LEDs on metal-core PCB
Driver	Internal LED driver
Driver surge protection	10/10 kV
Power factor	> 0.99
Through wiring	Single power cord entry
Operating temperature	-40...50°C
Power cord	40" of flexible power cord

Project name		Type		Quantity	
Date		Note			

LF8037.522-US-____-____-____-____-____-____

Light distribution	Rated input power	Color temperature	Control	Product colors
[-2] - 26° [EL] Elliptical - 15x40° [N] Narrow - NEMA Type 2 - 22° [MN] Medium narrow - NEMA Type 3 - 30° [M] Medium - NEMA Type 4 - 50° [W] Wide - NEMA Type 6 - 111°	[700] 459 W [700] 460 W	[830] 3000 K CRI 80 [840] 4000 K CRI 80	[ONOFF] On/Off [0-10V] 0-10V	[HM3]  Anthracite gray [HM4]  Light gray [CC]  Custom color (Please specify RAL code)
Extras				
Luminaire body options				
[DPC] Double powder coating				

Configuration code	Light distribution	Delivered lumens flux	Rated input power	Color temperature	Control
LF8037.522-US-N-700-830	[N] Narrow - NEMA Type 2 - 22°	55652 lm	460 W	3000 K CRI 80	On/Off, 0-10V
LF8037.522-US-N-700-840	[N] Narrow - NEMA Type 2 - 22°	55652 lm	460 W	4000 K CRI 80	On/Off, 0-10V
LF8037.522-US-MN-700-830	[MN] Medium narrow - NEMA Type 3 - 30°	51151 lm	459 W	3000 K CRI 80	On/Off, 0-10V
LF8037.522-US-MN-700-840	[MN] Medium narrow - NEMA Type 3 - 30°	51151 lm	459 W	4000 K CRI 80	On/Off, 0-10V
LF8037.522-US-M-700-830	[M] Medium - NEMA Type 4 - 50°	46744 lm	459 W	3000 K CRI 80	On/Off, 0-10V
LF8037.522-US-M-700-840	[M] Medium - NEMA Type 4 - 50°	46744 lm	459 W	4000 K CRI 80	On/Off, 0-10V
LF8037.522-US-W-700-830	[W] Wide - NEMA Type 6 - 111°	50550 lm	460 W	3000 K CRI 80	On/Off, 0-10V
LF8037.522-US-W-700-840	[W] Wide - NEMA Type 6 - 111°	50550 lm	460 W	4000 K CRI 80	On/Off, 0-10V
LF8037.522-US-EL-700-830	[EL] Elliptical - 15x40°	48108 lm	460 W	3000 K CRI 80	On/Off, 0-10V
LF8037.522-US-EL-700-840	[EL] Elliptical - 15x40°	48108 lm	460 W	4000 K CRI 80	On/Off, 0-10V
LF8037.522-US-N2-700-830	[] - 26°	53767 lm	460 W	3000 K CRI 80	On/Off, 0-10V
LF8037.522-US-N2-700-840	[] - 26°	53767 lm	460 W	4000 K CRI 80	On/Off, 0-10V