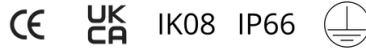
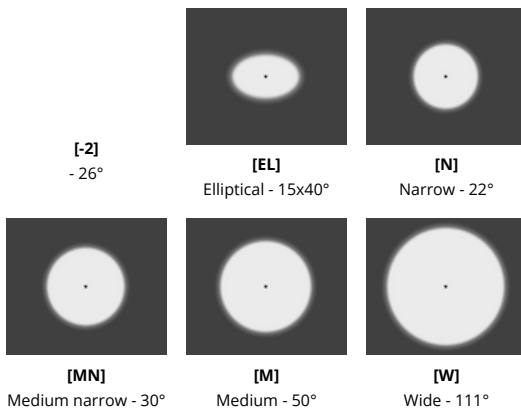
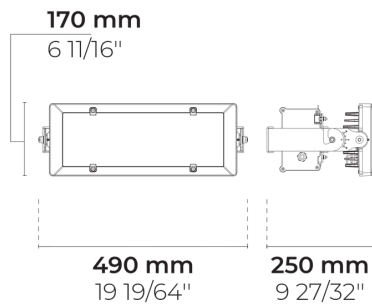


REGIO IN 1 Module

LF8037.521-EN



PHASED-OUT



Variants

Light distribution	[-2] 26°, [EL] 15x40°, [N] 22°, [MN] 30°, [M] 50°, [W] 111°
Delivered lumens flux	23372 - 27826 lm
Rated input power	229 W
Colour temperature	3000 K CRI 80, 4000 K CRI 80
Lifetime L90B50 (hour)	>102,000
Lifetime L80B50 (hour)	>102,000

Options

Control	On/Off, DALI
Product colours	

Extras




Consult the factory	120-277V 50/60Hz
Luminaire body options	Double powder coating

Technical information

Mounting	Direct tray mountable
Tilt angle	+30°/-30°
Housing	Corrosion resistant, die-cast, marine grade aluminum housing
Finishing	Chromate conversion pretreatment followed by electrostatic powder coating
Fasteners	Stainless steel (AISI 304 / EN 1.4301 grade)
Gasket	Silicone rubber
Lens / Reflector	PMMA lens with high optical efficiency
Glass / Diffusor	Tempered safety glass
Impact protection	IK08
Ingress protection	IP66
Input voltage	220-240V 50/60Hz
Insulation class	Class I
Weight	10.06 kg
LED module	High power LEDs on metal-core PCB
Driver	Internal LED driver
Driver surge protection	10/10 kV
Power factor	> 0.99
Through wiring	Single cable entry
Operating temperature	-40...50°C
Cable	1 m of flexible cable

Project name		Type		Quantity	
Date		Note			

LF8037.521-EN-__-__-__-__-EN-C1-__-__-__

Light distribution	Rated input power	Colour temperature	Control	Product colours
<p>[-2] - 26°</p> <p>[EL] Elliptical - 15x40°</p> <p>[N] Narrow - 22°</p> <p>[MN] Medium narrow - 30°</p> <p>[M] Medium - 50°</p> <p>[W] Wide - 111°</p>	<p>[700] 229 W</p>	<p>[830] 3000 K CRI 80</p> <p>[840] 4000 K CRI 80</p>	<p>[ONOFF] On/Off</p> <p>[DALI] DALI</p>	<p>[HM3]  Anthracite grey</p> <p>[HM4]  Light grey</p> <p>[CC]  Custom colour (Please specify RAL code)</p>
Extras				
Consult the factory				
[UNI] 120-277V 50/60Hz				
Luminaire body options				
[DPC] Double powder coating				

Variant code	Light distribution	Delivered lumens flux	Rated input power	Colour temperature	Control
LF8037.521-EN-N-700-830	[N] Narrow - 22°	27826 lm	229 W	3000 K CRI 80	On/Off, DALI
LF8037.521-EN-N-700-840	[N] Narrow - 22°	27826 lm	229 W	4000 K CRI 80	On/Off, DALI
LF8037.521-EN-MN-700-830	[MN] Medium narrow - 30°	25575 lm	229 W	3000 K CRI 80	On/Off, DALI
LF8037.521-EN-MN-700-840	[MN] Medium narrow - 30°	25575 lm	229 W	4000 K CRI 80	On/Off, DALI
LF8037.521-EN-M-700-830	[M] Medium - 50°	23372 lm	229 W	3000 K CRI 80	On/Off, DALI
LF8037.521-EN-M-700-840	[M] Medium - 50°	23372 lm	229 W	4000 K CRI 80	On/Off, DALI
LF8037.521-EN-W-700-830	[W] Wide - 111°	25275 lm	229 W	3000 K CRI 80	On/Off, DALI
LF8037.521-EN-W-700-840	[W] Wide - 111°	25275 lm	229 W	4000 K CRI 80	On/Off, DALI
LF8037.521-EN-EL-700-830	[EL] Elliptical - 15x40°	24054 lm	229 W	3000 K CRI 80	On/Off, DALI
LF8037.521-EN-EL-700-840	[EL] Elliptical - 15x40°	24054 lm	229 W	4000 K CRI 80	On/Off, DALI
LF8037.521-EN-N2-700-830	[] - 26°	26884 lm	229 W	3000 K CRI 80	On/Off, DALI
LF8037.521-EN-N2-700-840	[] - 26°	26884 lm	229 W	4000 K CRI 80	On/Off, DALI