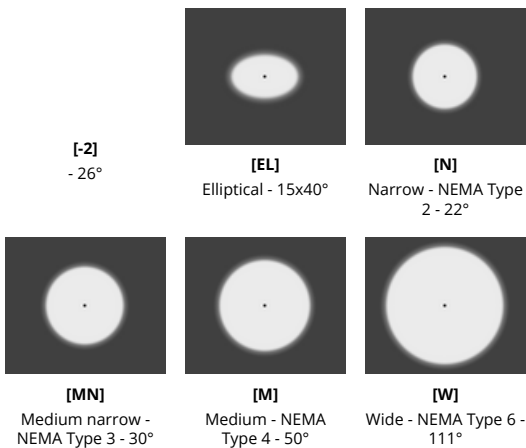
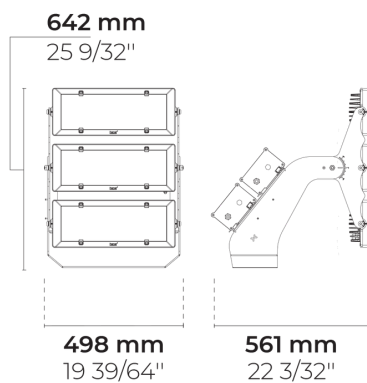


# REGIO 3 Module

LF8035.523-US



## Configurations

<b>Light distribution</b>	[-2] 26°, [EL] 15x40°, [N] 22°, [MN] 30°, [M] 50°, [W] 111°
<b>Delivered lumens flux</b>	70115 - 99033 lm
<b>Rated input power</b>	687 W
<b>Color temperature</b>	2700 K CRI 80, 3000 K CRI 80, 4000 K CRI 70, 4000 K CRI 80, 5700 K CRI 90
<b>Lifetime L90 (hour)</b>	>102, 000
<b>Lifetime L80 (hour)</b>	>102, 000

## Options

<b>Control</b>	On/Off, 0-10V
<b>Product colors</b>	

## Extras




<b>Luminaire body options</b>	Double powder coating
-------------------------------	-----------------------

## Technical information

<b>Mounting</b>	Yoke mount
<b>Tilt angle</b>	+45°/-45°
<b>Housing</b>	Corrosion resistant, die-cast, marine grade aluminum housing
<b>Finishing</b>	Chromate conversion pretreatment followed by electrostatic powder coating
<b>Fasteners</b>	Stainless steel (AISI 304 / EN 1.4301 grade)
<b>Gasket</b>	Silicone rubber
<b>Lens / Reflector</b>	PMMA lens with high optical efficiency
<b>Glass / Diffusor</b>	Tempered safety glass
<b>Impact protection</b>	IK08
<b>Ingress protection</b>	IP66
<b>Input voltage</b>	120-277V 50/60Hz
<b>Insulation class</b>	Class I
<b>Wind catching area (EPA)</b>	2.63 ft²
<b>Weight</b>	79 lbs
<b>LED module</b>	High power LEDs on metal-core PCB
<b>Driver</b>	Internal LED driver
<b>Driver surge protection</b>	10/10 kV
<b>Power factor</b>	> 0.99
<b>Through wiring</b>	Single power cord entry
<b>Operating temperature</b>	-40...50°C
<b>Power cord</b>	40" of flexible power cord

Project name		Type		Quantity	
Date		Note			

**LF8035.523-US-**\_\_\_\_-\_\_\_\_-\_\_\_\_-\_\_\_\_-\_\_\_\_-\_\_\_\_

Light distribution	Rated input power	Color temperature	Control	Product colors
<p><b>[-2]</b> - 26°</p> <p><b>[EL]</b> Elliptical - 15x40°</p> <p><b>[N]</b> Narrow - NEMA Type 2 - 22°</p> <p><b>[MN]</b> Medium narrow - NEMA Type 3 - 30°</p> <p><b>[M]</b> Medium - NEMA Type 4 - 50°</p> <p><b>[W]</b> Wide - NEMA Type 6 - 111°</p>	<p><b>[700]</b> 687 W</p>	<p><b>[827]</b> 2700 K CRI 80</p> <p><b>[830]</b> 3000 K CRI 80</p> <p><b>[740]</b> 4000 K CRI 70</p> <p><b>[840]</b> 4000 K CRI 80</p> <p><b>[957]</b> 5700 K CRI 90</p>	<p><b>[ONOFF]</b> On/Off</p> <p><b>[0-10V]</b> 0-10V</p>	<p><b>[HM3]</b>  Anthracite gray</p> <p><b>[HM4]</b>  Light gray</p> <p><b>[CC]</b>  Custom color (Please specify RAL code)</p>
<b>Extras</b>				
<b>Luminaire body options</b>				
<b>[DPC]</b> Double powder coating				

Configuration code	Light distribution	Delivered lumens flux	Rated input power	Color temperature	Control
LF8035.523-US-N-700-740	[N] Narrow - NEMA Type 2 - 22°	99033 lm	687 W	4000 K CRI 70	On/Off, 0-10V
LF8035.523-US-N-700-827	[N] Narrow - NEMA Type 2 - 22°	83469 lm	687 W	2700 K CRI 80	On/Off, 0-10V
LF8035.523-US-N-700-830	[N] Narrow - NEMA Type 2 - 22°	83469 lm	687 W	3000 K CRI 80	On/Off, 0-10V
LF8035.523-US-N-700-840	[N] Narrow - NEMA Type 2 - 22°	83469 lm	687 W	4000 K CRI 80	On/Off, 0-10V
LF8035.523-US-N-700-957	[N] Narrow - NEMA Type 2 - 22°	83469 lm	687 W	5700 K CRI 90	On/Off, 0-10V
LF8035.523-US-MN-700-740	[MN] Medium narrow - NEMA Type 3 - 30°	91028 lm	687 W	4000 K CRI 70	On/Off, 0-10V
LF8035.523-US-MN-700-827	[MN] Medium narrow - NEMA Type 3 - 30°	76726 lm	687 W	2700 K CRI 80	On/Off, 0-10V
LF8035.523-US-MN-700-830	[MN] Medium narrow - NEMA Type 3 - 30°	76726 lm	687 W	3000 K CRI 80	On/Off, 0-10V
LF8035.523-US-MN-700-840	[MN] Medium narrow - NEMA Type 3 - 30°	76726 lm	687 W	4000 K CRI 80	On/Off, 0-10V
LF8035.523-US-MN-700-957	[MN] Medium narrow - NEMA Type 3 - 30°	76726 lm	687 W	5700 K CRI 90	On/Off, 0-10V
LF8035.523-US-M-700-740	[M] Medium - NEMA Type 4 - 50°	83185 lm	687 W	4000 K CRI 70	On/Off, 0-10V
LF8035.523-US-M-700-827	[M] Medium - NEMA Type 4 - 50°	70115 lm	687 W	2700 K CRI 80	On/Off, 0-10V
LF8035.523-US-M-700-830	[M] Medium - NEMA Type 4 - 50°	70115 lm	687 W	3000 K CRI 80	On/Off, 0-10V
LF8035.523-US-M-700-840	[M] Medium - NEMA Type 4 - 50°	70115 lm	687 W	4000 K CRI 80	On/Off, 0-10V
LF8035.523-US-M-700-957	[M] Medium - NEMA Type 4 - 50°	70115 lm	687 W	5700 K CRI 90	On/Off, 0-10V
LF8035.523-US-W-700-740	[W] Wide - NEMA Type 6 - 111°	89964 lm	687 W	4000 K CRI 70	On/Off, 0-10V
LF8035.523-US-W-700-827	[W] Wide - NEMA Type 6 - 111°	75826 lm	687 W	2700 K CRI 80	On/Off, 0-10V
LF8035.523-US-W-700-830	[W] Wide - NEMA Type 6 - 111°	75826 lm	687 W	3000 K CRI 80	On/Off, 0-10V
LF8035.523-US-W-700-840	[W] Wide - NEMA Type 6 - 111°	75826 lm	687 W	4000 K CRI 80	On/Off, 0-10V
LF8035.523-US-W-700-957	[W] Wide - NEMA Type 6 - 111°	75826 lm	687 W	5700 K CRI 90	On/Off, 0-10V
LF8035.523-US-EL-700-740	[EL] Elliptical - 15x40°	85617 lm	687 W	4000 K CRI 70	On/Off, 0-10V
LF8035.523-US-EL-700-827	[EL] Elliptical - 15x40°	72161 lm	687 W	2700 K CRI 80	On/Off, 0-10V
LF8035.523-US-EL-700-830	[EL] Elliptical - 15x40°	72161 lm	687 W	3000 K CRI 80	On/Off, 0-10V
LF8035.523-US-EL-700-840	[EL] Elliptical - 15x40°	72161 lm	687 W	4000 K CRI 80	On/Off, 0-10V
LF8035.523-US-EL-700-957	[EL] Elliptical - 15x40°	72161 lm	687 W	5700 K CRI 90	On/Off, 0-10V
LF8035.523-US-N2-700-740	□ - 26°	95676 lm	687 W	4000 K CRI 70	On/Off, 0-10V
LF8035.523-US-N2-700-827	□ - 26°	80640 lm	687 W	2700 K CRI 80	On/Off, 0-10V
LF8035.523-US-N2-700-830	□ - 26°	80640 lm	687 W	3000 K CRI 80	On/Off, 0-10V
LF8035.523-US-N2-700-840	□ - 26°	80640 lm	687 W	4000 K CRI 80	On/Off, 0-10V
LF8035.523-US-N2-700-957	□ - 26°	80640 lm	687 W	5700 K CRI 90	On/Off, 0-10V