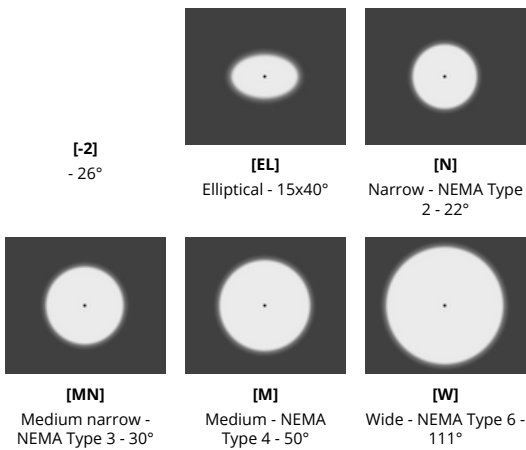
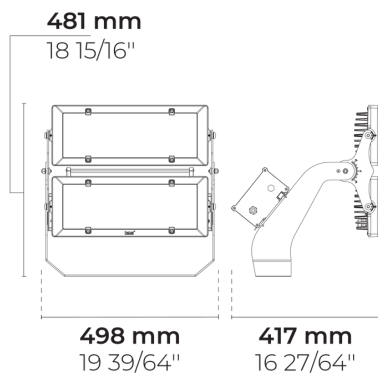


REGIO 2 Module

LF8035.522-US



Configurations

Light distribution	[-2] 26°, [EL] 15x40°, [N] 22°, [MN] 30°, [M] 50°, [W] 111°
Delivered lumens flux	46744 - 66029 lm
Rated input power	459 - 500 W
Color temperature	2700 K CRI 80, 3000 K CRI 80, 4000 K CRI 70, 4000 K CRI 80, 5700 K CRI 70, 5700 K CRI 90
Lifetime L90 (hour)	>90, 700, >102, 000
Lifetime L80 (hour)	>90, 700, >102, 000

Options

Control	On/Off, 0-10V
Product colors	

Extras




Luminaire body options	Double powder coating
-------------------------------	-----------------------

Technical information

Mounting	Yoke mount
Tilt angle	+45°/-45°
Housing	Corrosion resistant, die-cast, marine grade aluminum housing
Finishing	Chromate conversion pretreatment followed by electrostatic powder coating
Fasteners	Stainless steel (AISI 304 / EN 1.4301 grade)
Gasket	Silicone rubber
Lens / Reflector	PMMA lens with high optical efficiency
Glass / Diffuser	Tempered safety glass
Impact protection	IK08
Ingress protection	IP66
Input voltage	120-277V 50/60Hz
Insulation class	Class I
Wind catching area (EPA)	1.44 ft ²
Weight	42.1 lbs
LED module	High power LEDs on metal-core PCB
Driver	Internal LED driver
Driver surge protection	10/10 kV
Power factor	> 0.99
Through wiring	Single power cord entry
Operating temperature	-40...50°C
Power cord	40" of flexible power cord

Project name		Type		Quantity	
Date		Note			

LF8035.522-US- _ _ _ _ _

Light distribution	Rated input power	Color temperature	Control	Product colors
[-2] - 26°	[700] 459 W	[827] 2700 K CRI 80	[ONOFF] On/Off	[HM3]  Anthracite gray
[EL] Elliptical - 15x40°	[700] 460 W	[830] 3000 K CRI 80	[0-10V] 0-10V	[HM4]  Light gray
[N] Narrow - NEMA Type 2 - 22°	[700] 500 W	[740] 4000 K CRI 70		[CC]  Custom color (Please specify RAL code)
[MN] Medium narrow - NEMA Type 3 - 30°		[840] 4000 K CRI 80		
[M] Medium - NEMA Type 4 - 50°		[757] 5700 K CRI 70		
[W] Wide - NEMA Type 6 - 111°		[957] 5700 K CRI 90		
Extras				
Luminaire body options				
[DPC] Double powder coating				

Configuration code	Light distribution	Delivered lumens flux	Rated input power	Color temperature	Control
LF8035.522-US-N-700-740	[N] Narrow - NEMA Type 2 - 22°	66029 lm	460 W	4000 K CRI 70	On/Off, 0-10V
LF8035.522-US-N-700-827	[N] Narrow - NEMA Type 2 - 22°	55652 lm	460 W	2700 K CRI 80	On/Off, 0-10V
LF8035.522-US-N-700-830	[N] Narrow - NEMA Type 2 - 22°	55652 lm	460 W	3000 K CRI 80	On/Off, 0-10V
LF8035.522-US-N-700-840	[N] Narrow - NEMA Type 2 - 22°	55652 lm	460 W	4000 K CRI 80	On/Off, 0-10V
LF8035.522-US-N-700-957	[N] Narrow - NEMA Type 2 - 22°	55652 lm	460 W	5700 K CRI 90	On/Off, 0-10V
LF8035.522-US-MN-700-740	[MN] Medium narrow - NEMA Type 3 - 30°	60688 lm	459 W	4000 K CRI 70	On/Off, 0-10V
LF8035.522-US-MN-700-827	[MN] Medium narrow - NEMA Type 3 - 30°	51151 lm	459 W	2700 K CRI 80	On/Off, 0-10V
LF8035.522-US-MN-700-830	[MN] Medium narrow - NEMA Type 3 - 30°	51151 lm	459 W	3000 K CRI 80	On/Off, 0-10V
LF8035.522-US-MN-700-840	[MN] Medium narrow - NEMA Type 3 - 30°	51151 lm	459 W	4000 K CRI 80	On/Off, 0-10V
LF8035.522-US-MN-700-957	[MN] Medium narrow - NEMA Type 3 - 30°	51151 lm	459 W	5700 K CRI 90	On/Off, 0-10V
LF8035.522-US-M-700-740	[M] Medium - NEMA Type 4 - 50°	55459 lm	459 W	4000 K CRI 70	On/Off, 0-10V
LF8035.522-US-M-700-827	[M] Medium - NEMA Type 4 - 50°	46744 lm	459 W	2700 K CRI 80	On/Off, 0-10V
LF8035.522-US-M-700-830	[M] Medium - NEMA Type 4 - 50°	46744 lm	459 W	3000 K CRI 80	On/Off, 0-10V
LF8035.522-US-M-700-840	[M] Medium - NEMA Type 4 - 50°	46744 lm	459 W	4000 K CRI 80	On/Off, 0-10V
LF8035.522-US-M-700-957	[M] Medium - NEMA Type 4 - 50°	46744 lm	459 W	5700 K CRI 90	On/Off, 0-10V
LF8035.522-US-W-700-740	[W] Wide - NEMA Type 6 - 111°	59976 lm	460 W	4000 K CRI 70	On/Off, 0-10V
LF8035.522-US-W-700-757	[W] Wide - NEMA Type 6 - 111°	51644 lm	500 W	5700 K CRI 70	On/Off, 0-10V
LF8035.522-US-W-700-827	[W] Wide - NEMA Type 6 - 111°	50550 lm	460 W	2700 K CRI 80	On/Off, 0-10V
LF8035.522-US-W-700-830	[W] Wide - NEMA Type 6 - 111°	50550 lm	460 W	3000 K CRI 80	On/Off, 0-10V
LF8035.522-US-W-700-840	[W] Wide - NEMA Type 6 - 111°	50550 lm	460 W	4000 K CRI 80	On/Off, 0-10V
LF8035.522-US-W-700-957	[W] Wide - NEMA Type 6 - 111°	50550 lm	460 W	5700 K CRI 90	On/Off, 0-10V
LF8035.522-US-EL-700-740	[EL] Elliptical - 15x40°	57078 lm	460 W	4000 K CRI 70	On/Off, 0-10V
LF8035.522-US-EL-700-827	[EL] Elliptical - 15x40°	48108 lm	460 W	2700 K CRI 80	On/Off, 0-10V
LF8035.522-US-EL-700-830	[EL] Elliptical - 15x40°	48108 lm	460 W	3000 K CRI 80	On/Off, 0-10V
LF8035.522-US-EL-700-840	[EL] Elliptical - 15x40°	48108 lm	460 W	4000 K CRI 80	On/Off, 0-10V
LF8035.522-US-EL-700-957	[EL] Elliptical - 15x40°	48108 lm	460 W	5700 K CRI 90	On/Off, 0-10V
LF8035.522-US-N2-700-740	□ - 26°	63793 lm	460 W	4000 K CRI 70	On/Off, 0-10V
LF8035.522-US-N2-700-827	□ - 26°	53767 lm	460 W	2700 K CRI 80	On/Off, 0-10V
LF8035.522-US-N2-700-830	□ - 26°	53767 lm	460 W	3000 K CRI 80	On/Off, 0-10V
LF8035.522-US-N2-700-840	□ - 26°	53767 lm	460 W	4000 K CRI 80	On/Off, 0-10V
LF8035.522-US-N2-700-957	□ - 26°	53767 lm	460 W	5700 K CRI 90	On/Off, 0-10V