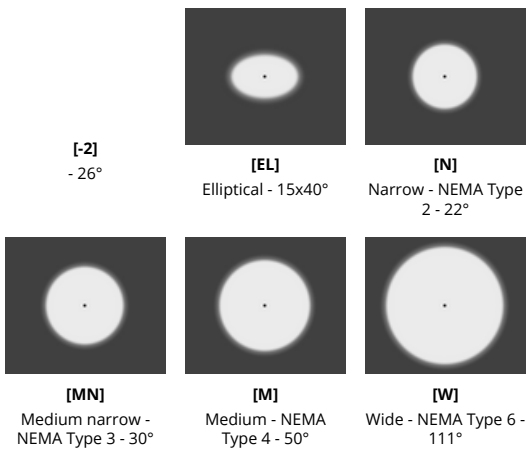
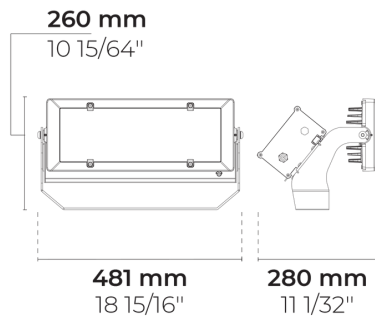


REGIO 1 Module

LF8035.521-US



Configurations

Light distribution	[-2] 26°, [EL] 15x40°, [N] 22°, [MN] 30°, [M] 50°, [W] 111°
Delivered lumens flux	23372 - 33010 lm
Rated input power	229 W
Color temperature	2700 K CRI 80, 3000 K CRI 80, 4000 K CRI 70, 4000 K CRI 80, 5700 K CRI 90
Lifetime L90 (hour)	>102, 000
Lifetime L80 (hour)	>102, 000

Options

Control	On/Off, 0-10V
Product colors	

Extras




Luminaire body options	Double powder coating
-------------------------------	-----------------------

Technical information

Mounting	Yoke mount
Tilt angle	+45°/-45°
Housing	Corrosion resistant, die-cast, marine grade aluminum housing
Finishing	Chromate conversion pretreatment followed by electrostatic powder coating
Fasteners	Stainless steel (AISI 304 / EN 1.4301 grade)
Gasket	Silicone rubber
Lens / Reflector	PMMA lens with high optical efficiency
Glass / Diffusor	Tempered safety glass
Impact protection	IK08
Ingress protection	IP66
Input voltage	120-277V 50/60Hz
Insulation class	Class I
Wind catching area (EPA)	0.92 ft²
Weight	24 lbs
LED module	High power LEDs on metal-core PCB
Driver	Internal LED driver
Driver surge protection	10/10 kV
Power factor	> 0.99
Through wiring	Single power cord entry
Operating temperature	-40...50°C
Power cord	40" of flexible power cord

Project name		Type		Quantity	
Date		Note			

LF8035.521-US-____-____-____-____-____-____

Light distribution	Rated input power	Color temperature	Control	Product colors
<p>[-2] - 26°</p> <p>[EL] Elliptical - 15x40°</p> <p>[N] Narrow - NEMA Type 2 - 22°</p> <p>[MN] Medium narrow - NEMA Type 3 - 30°</p> <p>[M] Medium - NEMA Type 4 - 50°</p> <p>[W] Wide - NEMA Type 6 - 111°</p>	<p>[700] 229 W</p>	<p>[827] 2700 K CRI 80</p> <p>[830] 3000 K CRI 80</p> <p>[740] 4000 K CRI 70</p> <p>[840] 4000 K CRI 80</p> <p>[957] 5700 K CRI 90</p>	<p>[ONOFF] On/Off</p> <p>[0-10V] 0-10V</p>	<p>[HM3]  Anthracite gray</p> <p>[HM4]  Light gray</p> <p>[CC]  Custom color (Please specify RAL code)</p>
Extras				
Luminaire body options				
[DPC] Double powder coating				

Configuration code	Light distribution	Delivered lumens flux	Rated input power	Color temperature	Control
LF8035.521-US-N-700-740	[N] Narrow - NEMA Type 2 - 22°	33010 lm	229 W	4000 K CRI 70	On/Off, 0-10V
LF8035.521-US-N-700-827	[N] Narrow - NEMA Type 2 - 22°	27826 lm	229 W	2700 K CRI 80	On/Off, 0-10V
LF8035.521-US-N-700-830	[N] Narrow - NEMA Type 2 - 22°	27826 lm	229 W	3000 K CRI 80	On/Off, 0-10V
LF8035.521-US-N-700-840	[N] Narrow - NEMA Type 2 - 22°	27826 lm	229 W	4000 K CRI 80	On/Off, 0-10V
LF8035.521-US-N-700-957	[N] Narrow - NEMA Type 2 - 22°	27826 lm	229 W	5700 K CRI 90	On/Off, 0-10V
LF8035.521-US-MN-700-740	[MN] Medium narrow - NEMA Type 3 - 30°	30340 lm	229 W	4000 K CRI 70	On/Off, 0-10V
LF8035.521-US-MN-700-827	[MN] Medium narrow - NEMA Type 3 - 30°	25575 lm	229 W	2700 K CRI 80	On/Off, 0-10V
LF8035.521-US-MN-700-830	[MN] Medium narrow - NEMA Type 3 - 30°	25575 lm	229 W	3000 K CRI 80	On/Off, 0-10V
LF8035.521-US-MN-700-840	[MN] Medium narrow - NEMA Type 3 - 30°	25575 lm	229 W	4000 K CRI 80	On/Off, 0-10V
LF8035.521-US-MN-700-957	[MN] Medium narrow - NEMA Type 3 - 30°	25575 lm	229 W	5700 K CRI 90	On/Off, 0-10V
LF8035.521-US-M-700-740	[M] Medium - NEMA Type 4 - 50°	27726 lm	229 W	4000 K CRI 70	On/Off, 0-10V
LF8035.521-US-M-700-827	[M] Medium - NEMA Type 4 - 50°	23372 lm	229 W	2700 K CRI 80	On/Off, 0-10V
LF8035.521-US-M-700-830	[M] Medium - NEMA Type 4 - 50°	23372 lm	229 W	3000 K CRI 80	On/Off, 0-10V
LF8035.521-US-M-700-840	[M] Medium - NEMA Type 4 - 50°	23372 lm	229 W	4000 K CRI 80	On/Off, 0-10V
LF8035.521-US-M-700-957	[M] Medium - NEMA Type 4 - 50°	23372 lm	229 W	5700 K CRI 90	On/Off, 0-10V
LF8035.521-US-W-700-740	[W] Wide - NEMA Type 6 - 111°	29989 lm	229 W	4000 K CRI 70	On/Off, 0-10V
LF8035.521-US-W-700-827	[W] Wide - NEMA Type 6 - 111°	25275 lm	229 W	2700 K CRI 80	On/Off, 0-10V
LF8035.521-US-W-700-830	[W] Wide - NEMA Type 6 - 111°	25275 lm	229 W	3000 K CRI 80	On/Off, 0-10V
LF8035.521-US-W-700-840	[W] Wide - NEMA Type 6 - 111°	25275 lm	229 W	4000 K CRI 80	On/Off, 0-10V
LF8035.521-US-W-700-957	[W] Wide - NEMA Type 6 - 111°	25275 lm	229 W	5700 K CRI 90	On/Off, 0-10V
LF8035.521-US-EL-700-740	[EL] Elliptical - 15x40°	28539 lm	229 W	4000 K CRI 70	On/Off, 0-10V
LF8035.521-US-EL-700-827	[EL] Elliptical - 15x40°	24054 lm	229 W	2700 K CRI 80	On/Off, 0-10V
LF8035.521-US-EL-700-830	[EL] Elliptical - 15x40°	24054 lm	229 W	3000 K CRI 80	On/Off, 0-10V
LF8035.521-US-EL-700-840	[EL] Elliptical - 15x40°	24054 lm	229 W	4000 K CRI 80	On/Off, 0-10V
LF8035.521-US-EL-700-957	[EL] Elliptical - 15x40°	24054 lm	229 W	5700 K CRI 90	On/Off, 0-10V
LF8035.521-US-N2-700-740	□ - 26°	31892 lm	229 W	4000 K CRI 70	On/Off, 0-10V
LF8035.521-US-N2-700-827	□ - 26°	26884 lm	229 W	2700 K CRI 80	On/Off, 0-10V
LF8035.521-US-N2-700-830	□ - 26°	26884 lm	229 W	3000 K CRI 80	On/Off, 0-10V
LF8035.521-US-N2-700-840	□ - 26°	26884 lm	229 W	4000 K CRI 80	On/Off, 0-10V
LF8035.521-US-N2-700-957	□ - 26°	26884 lm	229 W	5700 K CRI 90	On/Off, 0-10V