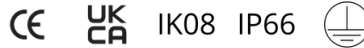
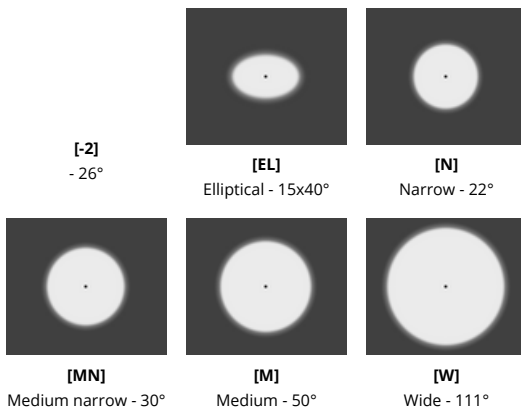
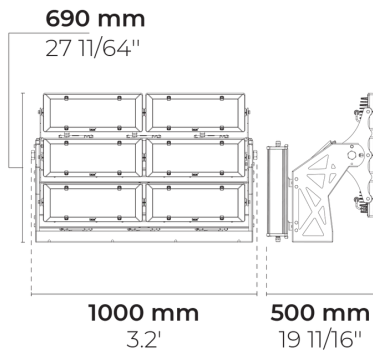


# REGIO 6 Module

LF8032.526-EN



PHASED-OUT



## Variants

<b>Light distribution</b>	[-2] 26°, [EL] 15x40°, [N] 22°, [MN] 30°, [M] 50°, [W] 111°
<b>Delivered lumens flux</b>	140231 - 198066 lm
<b>Rated input power</b>	1375 W
<b>Colour temperature</b>	2700 K CRI 80, 3000 K CRI 80, 4000 K CRI 70, 4000 K CRI 80, 5700 K CRI 90
<b>Lifetime L90B50 (hour)</b>	>102, 000
<b>Lifetime L80B50 (hour)</b>	>102, 000

## Options

<b>Control</b>	On/Off, DALI
<b>Product colours</b>	

## Extras




<b>Consult the factory</b>	120-277V 50/60Hz
<b>Luminaire body options</b>	Double powder coating

## Technical information

<b>Mounting</b>	Surface mountable via a bracket
<b>Tilt angle</b>	+45°/-45°
<b>Housing</b>	Corrosion resistant, marine grade aluminum housing
<b>Finishing</b>	Chromate conversion pretreatment followed by electrostatic powder coating
<b>Fasteners</b>	Stainless steel (AISI 304 / EN 1.4301 grade)
<b>Gasket</b>	Silicone rubber
<b>Lens / Reflector</b>	PMMA lens with high optical efficiency
<b>Glass / Diffusor</b>	Tempered safety glass
<b>Impact protection</b>	IK08
<b>Ingress protection</b>	IP66
<b>Input voltage</b>	220-240V 50/60Hz
<b>Insulation class</b>	Class I
<b>Weight</b>	58.18 kg
<b>LED module</b>	High power LEDs on metal-core PCB
<b>Driver</b>	External LED driver
<b>Driver surge protection</b>	10/10 kV
<b>Power factor</b>	> 0.99
<b>Through wiring</b>	Single cable entry
<b>Operating temperature</b>	-40...50°C
<b>Cable</b>	1 m of flexible cable
<b>Notes</b>	Please contact the sales department regarding this product's availability.

Project name		Type		Quantity	
Date		Note			

**LF8032.526-EN-\_\_-\_\_-\_\_-\_\_-EN-C1-\_\_-\_\_-\_\_**

Light distribution	Rated input power	Colour temperature	Control	Product colours
<b>[-2]</b> - 26°  <b>[EL]</b> Elliptical - 15x40°  <b>[N]</b> Narrow - 22°  <b>[MN]</b> Medium narrow - 30°  <b>[M]</b> Medium - 50°  <b>[W]</b> Wide - 111°	<b>[700]</b> 1375 W	<b>[827]</b> 2700 K CRI 80  <b>[830]</b> 3000 K CRI 80  <b>[740]</b> 4000 K CRI 70  <b>[840]</b> 4000 K CRI 80  <b>[957]</b> 5700 K CRI 90	<b>[ONOFF]</b> On/Off  <b>[DALI]</b> DALI	<b>[HM3]</b>  Anthracite grey  <b>[HM4]</b>  Light grey  <b>[CC]</b>  Custom colour (Please specify RAL code)
<b>Extras</b>				
<b>Consult the factory</b>				
<b>[UNI]</b> 120-277V 50/60Hz				
<b>Luminaire body options</b>				
<b>[DPC]</b> Double powder coating				

Variant code	Light distribution	Delivered lumens flux	Rated input power	Colour temperature	Control
LF8032.526-EN-N-700-740	[N] Narrow - 22°	198066 lm	1375 W	4000 K CRI 70	On/Off, DALI
LF8032.526-EN-N-700-827	[N] Narrow - 22°	166938 lm	1375 W	2700 K CRI 80	On/Off, DALI
LF8032.526-EN-N-700-830	[N] Narrow - 22°	166938 lm	1375 W	3000 K CRI 80	On/Off, DALI
LF8032.526-EN-N-700-840	[N] Narrow - 22°	166938 lm	1375 W	4000 K CRI 80	On/Off, DALI
LF8032.526-EN-N-700-957	[N] Narrow - 22°	166938 lm	1375 W	5700 K CRI 90	On/Off, DALI
LF8032.526-EN-MN-700-740	[MN] Medium narrow - 30°	182056 lm	1375 W	4000 K CRI 70	On/Off, DALI
LF8032.526-EN-MN-700-827	[MN] Medium narrow - 30°	153452 lm	1375 W	2700 K CRI 80	On/Off, DALI
LF8032.526-EN-MN-700-830	[MN] Medium narrow - 30°	153452 lm	1375 W	3000 K CRI 80	On/Off, DALI
LF8032.526-EN-MN-700-840	[MN] Medium narrow - 30°	153452 lm	1375 W	4000 K CRI 80	On/Off, DALI
LF8032.526-EN-MN-700-957	[MN] Medium narrow - 30°	153452 lm	1375 W	5700 K CRI 90	On/Off, DALI
LF8032.526-EN-M-700-740	[M] Medium - 50°	166371 lm	1375 W	4000 K CRI 70	On/Off, DALI
LF8032.526-EN-M-700-827	[M] Medium - 50°	140231 lm	1375 W	2700 K CRI 80	On/Off, DALI
LF8032.526-EN-M-700-830	[M] Medium - 50°	140231 lm	1375 W	3000 K CRI 80	On/Off, DALI
LF8032.526-EN-M-700-840	[M] Medium - 50°	140231 lm	1375 W	4000 K CRI 80	On/Off, DALI
LF8032.526-EN-M-700-957	[M] Medium - 50°	140231 lm	1375 W	5700 K CRI 90	On/Off, DALI
LF8032.526-EN-W-700-740	[W] Wide - 111°	179929 lm	1375 W	4000 K CRI 70	On/Off, DALI
LF8032.526-EN-W-700-827	[W] Wide - 111°	151651 lm	1375 W	2700 K CRI 80	On/Off, DALI
LF8032.526-EN-W-700-830	[W] Wide - 111°	151651 lm	1375 W	3000 K CRI 80	On/Off, DALI
LF8032.526-EN-W-700-840	[W] Wide - 111°	151651 lm	1375 W	4000 K CRI 80	On/Off, DALI
LF8032.526-EN-W-700-957	[W] Wide - 111°	151651 lm	1375 W	5700 K CRI 90	On/Off, DALI
LF8032.526-EN-EL-700-740	[EL] Elliptical - 15x40°	171233 lm	1375 W	4000 K CRI 70	On/Off, DALI
LF8032.526-EN-EL-700-827	[EL] Elliptical - 15x40°	144323 lm	1375 W	3000 K CRI 80	On/Off, DALI
LF8032.526-EN-EL-700-830	[EL] Elliptical - 15x40°	144323 lm	1375 W	2700 K CRI 80	On/Off, DALI
LF8032.526-EN-EL-700-840	[EL] Elliptical - 15x40°	144323 lm	1375 W	4000 K CRI 80	On/Off, DALI
LF8032.526-EN-EL-700-957	[EL] Elliptical - 15x40°	144323 lm	1375 W	5700 K CRI 90	On/Off, DALI
LF8032.526-EN-N2-700-740	□ - 26°	191352 lm	1375 W	4000 K CRI 70	On/Off, DALI
LF8032.526-EN-N2-700-827	□ - 26°	161279 lm	1375 W	2700 K CRI 80	On/Off, DALI
LF8032.526-EN-N2-700-830	□ - 26°	161279 lm	1375 W	3000 K CRI 80	On/Off, DALI
LF8032.526-EN-N2-700-840	□ - 26°	161279 lm	1375 W	4000 K CRI 80	On/Off, DALI
LF8032.526-EN-N2-700-957	□ - 26°	161279 lm	1375 W	5700 K CRI 90	On/Off, DALI