
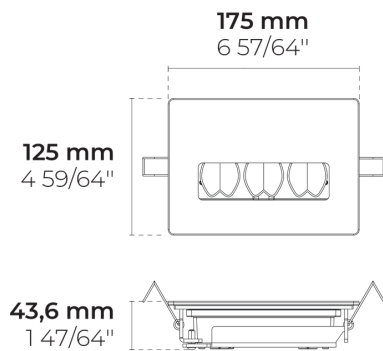


VERTEX C 1 Module

LD6064.591-EN

CE UK CA IK08 IP66 

heper⁺



[SLFB]
Special linear,
Forward throw -
144x41°

Variants

Light distribution	[SLFB] 144x41°
Delivered lumens flux	363 - 473 lm
Rated input power	8 W
Colour temperature	2200 K CRI 80, 2700 K CRI 80, 3000 K CRI 80, 4000 K CRI 70, 4000 K CRI 80
Lifetime L90B50 (hour)	>60,000
Lifetime L80B50 (hour)	>60,000

Options

Product colours



Extras

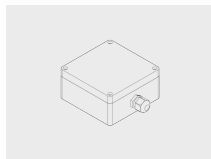
Consult the factory Class II, 120-277V 50/60Hz

Technical information

Mounting	Ceiling mountable
Housing	Corrosion resistant, extruded, marine grade aluminum housing
Fasteners	Stainless steel (AISI 304 / EN 1.4301 grade)
Gasket	Liquid silicone
Lens / Reflector	High reflectance aluminium coating, multifaceted micro reflector
Glass / Diffusor	Tempered safety glass
Impact protection	IK08
Ingress protection	IP66
Input voltage	18 Vdc (Max) 350 mA
Insulation class	Class I
Weight	0.72 kg
LED module	Multi-chip high power LEDs on metal-core PCB
Driver	External LED driver
Through wiring	Single cable entry
Operating temperature	-25...50°C
Cable	0.2 m of flexible cable

Accessories (To be ordered separately)

Mounting accessories




**DALI & On/Off
driver within an
IP67 box for
VERTEX C**

007502867

Project name		Type		Quantity	
Date		Note			

LD6064.591-EN-__-__-__-__-CC-18V-350-C1-__-__

Light distribution	Rated input power	Colour temperature	Control	Product colours
[SLFB] Special linear, Forward throw - 144x41°	[350] 8 W	[822] 2200 K CRI 80 [827] 2700 K CRI 80 [830] 3000 K CRI 80 [740] 4000 K CRI 70 [840] 4000 K CRI 80		[HM1] Black 
Extras	Accessories (<i>To be ordered separately</i>)			
Consult the factory	Mounting accessories			
[C2] Class II [UNI] 120-277V 50/60Hz	[007502867] DALI & On/Off driver within an IP67 box for VERTEX C			

Variant code	Light distribution	Delivered lumens flux	Rated input power	Colour temperature	Control
LD6064.591-EN-SLFB-350-740	[SLFB] Special linear, Forward throw - 144x41°	473 lm	8 W	4000 K CRI 70	On/Off, DALI
LD6064.591-EN-SLFB-350-822	[SLFB] Special linear, Forward throw - 144x41°	363 lm	8 W	2200 K CRI 80	On/Off, DALI
LD6064.591-EN-SLFB-350-827	[SLFB] Special linear, Forward throw - 144x41°	423 lm	8 W	2700 K CRI 80	On/Off, DALI
LD6064.591-EN-SLFB-350-830	[SLFB] Special linear, Forward throw - 144x41°	430 lm	8 W	3000 K CRI 80	On/Off, DALI
LD6064.591-EN-SLFB-350-840	[SLFB] Special linear, Forward throw - 144x41°	450 lm	8 W	4000 K CRI 80	On/Off, DALI