

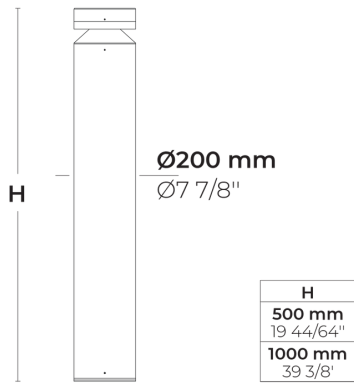
CORVUS 24 LED

LB6065.545-EN

CE UK CA IK08 IP65



UPCOMING



[SYM]

Symmetric - 155

Variants

Light distribution	[SYM] 155
Delivered lumens flux	761 - 971 lm
Rated input power	25 W
Colour temperature	2200 K CRI 80, 2700 K CRI 80, 3000 K CRI 80, 4000 K CRI 70
Lifetime L90B50 (hour)	>102 000
Lifetime L80B50 (hour)	>102 000

Options

Control	On/Off, 0-10V, DALI, AutoDIM, StepDIM
Product colours	
Height	50cm, 1m,

Extras

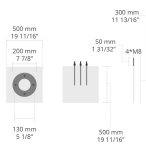
Light output	Constant light output
Consult the factory	Class II, 120-277V 50/60Hz
Luminaire body options	Double powder coating

Technical information

Mounting	Surface mountable
Housing	Corrosion resistant, extruded, marine grade aluminum housing
Finishing	Chromate conversion pretreatment followed by electrostatic powder coating
Fasteners	Stainless steel (AISI 304 / EN 1.4301 grade)
Gasket	Silicone
Lens / Reflector	UV stable, bio-based polycarbonate diffusor
Glass / Diffusor	Tempered safety glass
Impact protection	IK08
Ingress protection	IP65
Input voltage	220-240V 50/60Hz
Insulation class	Class I
Weight	11.8 kg(1m) , 7.9 kg(0.5m)
LED module	High power LEDs on metal-core PCB
Driver	Internal LED driver
Driver surge protection	10/6 kV
Power factor	> 0.90
Through wiring	Single cable entry
Operating temperature	-40...50°C
Cable	0.5 m of flexible cable

Accessories (To be ordered separately)

Anchorage



623J015

623J015

Variant code	Light distribution	Delivered lumens flux	Rated input power	Colour temperature	Control
LB6065.545-EN-SYM-350-740	[SYM] Symmetric - 155	971 lm	25 W	4000 K CRI 70	
LB6065.545-EN-SYM-350-822	[SYM] Symmetric - 155	761 lm	25 W	2200 K CRI 80	
LB6065.545-EN-SYM-350-827	[SYM] Symmetric - 155	870 lm	25 W	2700 K CRI 80	
LB6065.545-EN-SYM-350-830	[SYM] Symmetric - 155	914 lm	25 W	3000 K CRI 80	