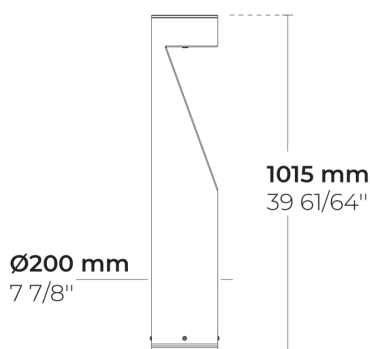
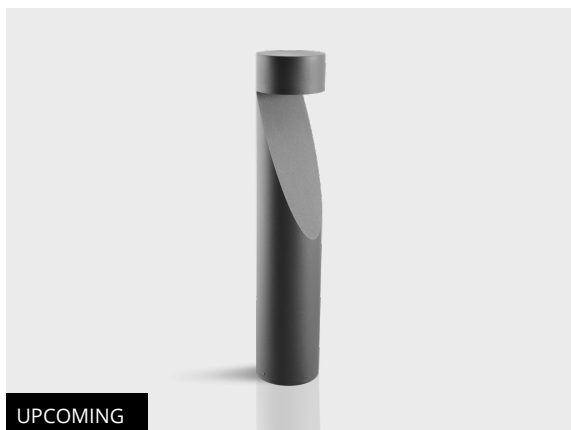


TRIAN AFX Midi

LB6020.871-EN



[ASYM-FW]
Asymmetric Forward
- 60°



[ASYM-SD]
Asymmetric Side -
118°x45°

Variants

Light distribution	[ASYM-FW] 60°, [ASYM-SD] 118°x45°
Delivered lumens flux	614 - 2056 lm
Rated input power	8 - 17 W
Colour temperature	2200 K CRI 80, 2700 K CRI 80, 3000 K CRI 80, 4000 K CRI 70
BUG rating	B0-U2-G1, B0-U1-G0
Lifetime L90B50 (hour)	>102,000
Lifetime L80B50 (hour)	>102,000

Options

Control	On/Off, DALI
Product colours	
Height	1.15m

Extras

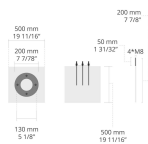
Light output	Constant light output
Consult the factory	Class II
Luminaire body options	Double powder coating

Technical information

Mounting	Surface mountable
Housing	Corrosion resistant, extruded, marine grade aluminum housing
Finishing	Chromate conversion pretreatment followed by electrostatic powder coating
Fasteners	Stainless steel (AISI 304 / EN 1.4301 grade)
Gasket	Liquid silicone
Lens / Reflector	PMMA lens with high optical efficiency
Glass / Diffuser	Tempered safety glass
Impact protection	IK08
Ingress protection	IP66
Input voltage	220-240V 50/60Hz
Insulation class	Class I
Weight	8.7 kg
LED module	High power LEDs on metal-core PCB
Driver	Internal LED driver
Driver surge protection	2/2 kV
Power factor	> 0.90
Through wiring	Single cable entry
Operating temperature	-40...50°C
Cable	0.2 m of flexible cable

Accessories (To be ordered separately)

Anchorage



623J014

623J014

Variant code	Light distribution	Delivered lumens flux	Rated input power	Colour temperature	Control
LB6020.871-EN-ASYM-SD-350-740	[ASYM-SD] Asymmetric Side - 118°x45°	746 lm	8 W	4000 K CRI 70	On/Off
LB6020.871-EN-ASYM-SD-350-822	[ASYM-SD] Asymmetric Side - 118°x45°	614 lm	8 W	2200 K CRI 80	On/Off
LB6020.871-EN-ASYM-SD-350-827	[ASYM-SD] Asymmetric Side - 118°x45°	658 lm	8 W	2700 K CRI 80	On/Off
LB6020.871-EN-ASYM-SD-350-830	[ASYM-SD] Asymmetric Side - 118°x45°	658 lm	8 W	3000 K CRI 80	On/Off
LB6020.871-EN-ASYM-SD-500-740	[ASYM-SD] Asymmetric Side - 118°x45°	1010 lm	12 W	4000 K CRI 70	On/Off
LB6020.871-EN-ASYM-SD-500-822	[ASYM-SD] Asymmetric Side - 118°x45°	831 lm	12 W	2200 K CRI 80	On/Off
LB6020.871-EN-ASYM-SD-500-827	[ASYM-SD] Asymmetric Side - 118°x45°	891 lm	12 W	2700 K CRI 80	On/Off
LB6020.871-EN-ASYM-SD-500-830	[ASYM-SD] Asymmetric Side - 118°x45°	891 lm	12 W	3000 K CRI 80	On/Off
LB6020.871-EN-ASYM-SD-700-740	[ASYM-SD] Asymmetric Side - 118°x45°	1302 lm	17 W	4000 K CRI 70	On/Off
LB6020.871-EN-ASYM-SD-700-822	[ASYM-SD] Asymmetric Side - 118°x45°	1072 lm	17 W	2200 K CRI 80	On/Off
LB6020.871-EN-ASYM-SD-700-827	[ASYM-SD] Asymmetric Side - 118°x45°	1149 lm	17 W	2700 K CRI 80	On/Off
LB6020.871-EN-ASYM-SD-700-830	[ASYM-SD] Asymmetric Side - 118°x45°	1149 lm	17 W	3000 K CRI 80	On/Off
LB6020.871-EN-ASYM-FW-350-740	[ASYM-FW] Asymmetric Forward - 60°	1178 lm	8 W	4000 K CRI 70	On/Off
LB6020.871-EN-ASYM-FW-350-822	[ASYM-FW] Asymmetric Forward - 60°	970 lm	8 W	2200 K CRI 80	On/Off
LB6020.871-EN-ASYM-FW-350-827	[ASYM-FW] Asymmetric Forward - 60°	1039 lm	8 W	2700 K CRI 80	On/Off
LB6020.871-EN-ASYM-FW-350-830	[ASYM-FW] Asymmetric Forward - 60°	1039 lm	8 W	3000 K CRI 80	On/Off
LB6020.871-EN-ASYM-FW-500-740	[ASYM-FW] Asymmetric Forward - 60°	1582 lm	12 W	4000 K CRI 70	On/Off
LB6020.871-EN-ASYM-FW-500-822	[ASYM-FW] Asymmetric Forward - 60°	1303 lm	12 W	2200 K CRI 80	On/Off
LB6020.871-EN-ASYM-FW-500-827	[ASYM-FW] Asymmetric Forward - 60°	1396 lm	12 W	2700 K CRI 80	On/Off
LB6020.871-EN-ASYM-FW-500-830	[ASYM-FW] Asymmetric Forward - 60°	1396 lm	12 W	3000 K CRI 80	On/Off
LB6020.871-EN-ASYM-FW-700-740	[ASYM-FW] Asymmetric Forward - 60°	2056 lm	17 W	4000 K CRI 70	On/Off
LB6020.871-EN-ASYM-FW-700-822	[ASYM-FW] Asymmetric Forward - 60°	1693 lm	17 W	2200 K CRI 80	On/Off
LB6020.871-EN-ASYM-FW-700-827	[ASYM-FW] Asymmetric Forward - 60°	1814 lm	17 W	2700 K CRI 80	On/Off
LB6020.871-EN-ASYM-FW-700-830	[ASYM-FW] Asymmetric Forward - 60°	1814 lm	17 W	3000 K CRI 80	On/Off