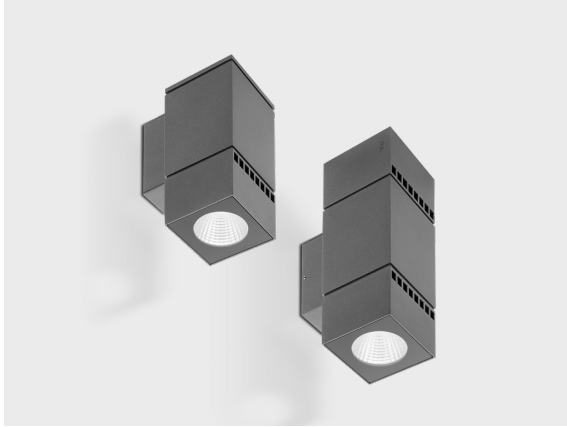


VEGA S W

Flexible and Reliable Product Family

CE UK CA IK07 IP65

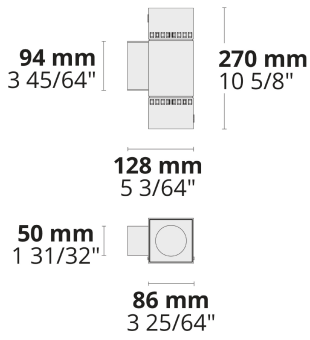


With its rectangular form factor, advanced optics, and durable body, VEGA W family is an excellent choice to add subtle touches in modern architectural projects.

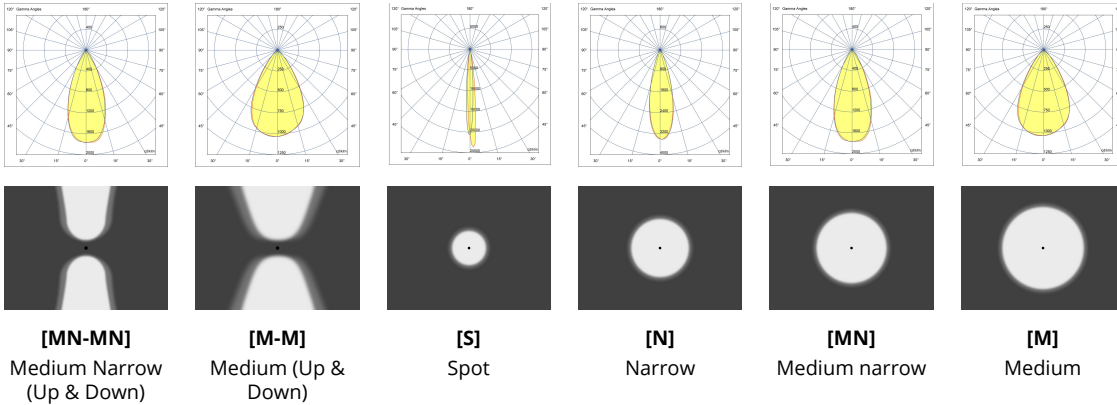
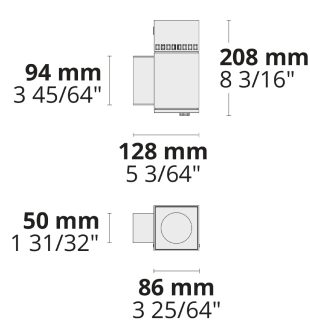
- Equipped with HEPER's Hybrid (HYB) module [S] [N]
- Perfect beam control through multifaceted reflectors (HYB)
- 4 different light distribution options from very narrow to wide
- Easy installation and maintenance

Product code	Product name	Light distribution	Delivered lumens flux	Rated input power	Colour temperature	Control	Weight
LW7037.519-EN	VEGA S W Duo	[MN-MN] 42°, [M-M] 60°	1204 - 2038 lm	18 W	2700 K CRI 80, 3000 K CRI 80, 4000 K CRI 70, 4000 K CRI 80	On/Off, DALI	2.56 kg
LW8020.693-EN	VEGA S W	[S] 7°, [N] 26°, [MN] 42°, [M] 60°	606 - 1019 lm	10 W	2700 K CRI 80, 3000 K CRI 80, 4000 K CRI 70, 4000 K CRI 80	On/Off, DALI	2.14 kg

LW7037.519



LW8020.693



Extras

Consult the factory

Luminaire body options

120-277V
50/60Hz

DPC

UNI

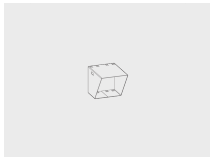
120-277V 50/60Hz

DPC

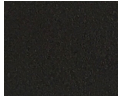
Double powder coating

Accessories (To be ordered separately)

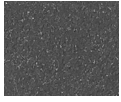
Optical accessories



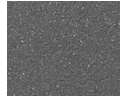
Visor for VEGA S
100708016



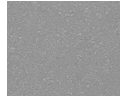
[HM1]
Black



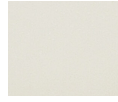
[HM2]
Dark grey



[HM3]
Anthracite
grey



[HM4]
Light grey



[HM5]
White



[HM6]
Bronze



[CC]
Custom
colour
(Please
specify RAL
code)