

REGIO IN

Flexible High/Low Bay Product Family with Extreme Power

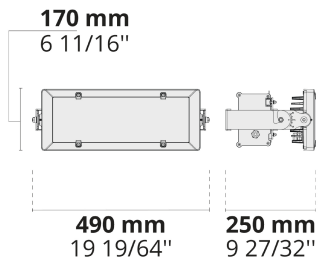


Multiple sizes, flexible optics, and high-power light output options make the REGIO family stand out for the illumination tasks for warehouses, commercial buildings, airport ceilings and industrial factories.

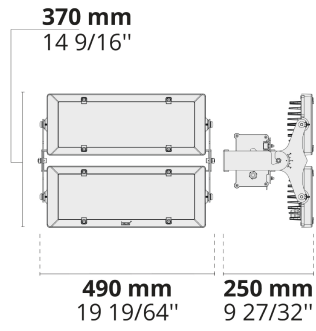
- Equipped with high-efficiency and long-lasting LED light source
- Glare management with special lens system
- 5 different beam angle options
- Durable material and component selection for harsh working conditions
- Easy installation and maintenance with modular structure

Product code	Product name	Light distribution	Delivered lumens flux	Rated input power	Color temperature	Control	Weight
LF8037.521-US	REGIO IN 1 Module		23372 - 27826 lm	229 W	3000 K CRI 80, 4000 K CRI 80	On/Off, 0-10V	22.1 lbs
LF8037.522-US	REGIO IN 2 Module		46744 - 55652 lm	459 - 460 W	3000 K CRI 80, 4000 K CRI 80	On/Off, 0-10V	36.6 lbs

LF8037.521



LF8037.522



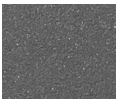
Extras

Luminaire body options

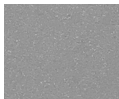


DPC

Double powder
coating



[HM3]
Anthracite
gray



[HM4]
Light gray



[CC]
Custom
color
(Please
specify RAL
code)