

PUNTO W

Flexible and Reliable Product Family



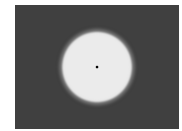
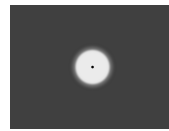
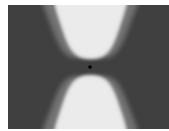
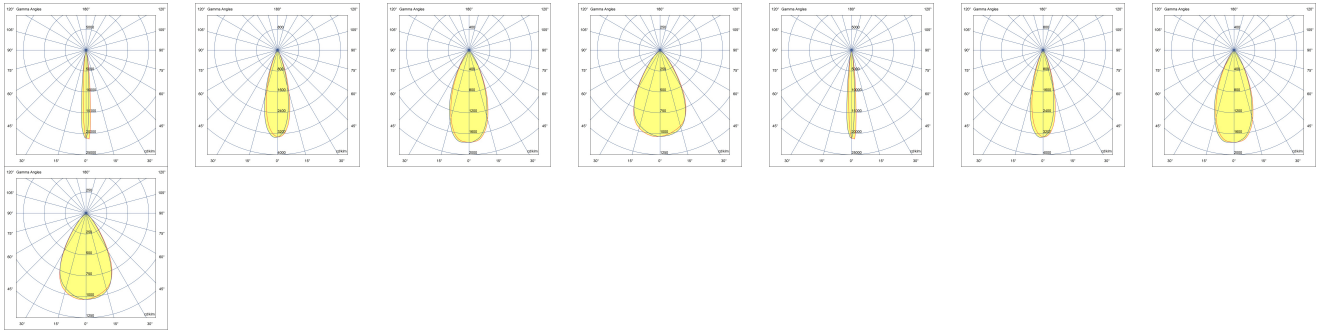
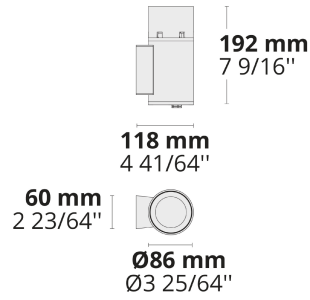
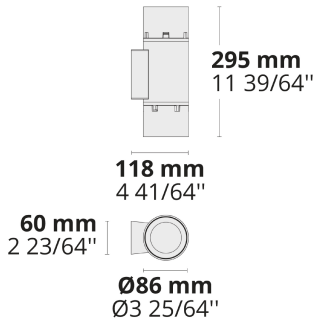
With its round form factor, advanced optics providing perfect beam control, and durable body PUNTO W family stand out for highlighting architectural details in modern projects.

- Equipped with HEPER's Hybrid (HYB) module [S] [N]
- 4 different light distribution options from very narrow to wide
- Well-defined beam angles with reflector and lens combined (HYB)
- Easy installation and maintenance

Product code	Product name	Light distribution	Delivered lumens flux	Rated input power	Color temperature	Control	Weight
LW7036.519-US	PUNTO S W Duo	[S-S] 7°, [N-N] 26°, [MN-MN] 42°, [M-M] 60°	1204 - 2038 lm	18 W	2700 K CRI 80, 3000 K CRI 80, 4000 K CRI 70, 4000 K CRI 80	On/Off, 0-10V	3.3 lbs
LW8017.693-US	PUNTO S W	[S] 7°, [N] 26°, [MN] 42°, [M] 60°	606 - 1019 lm	10 W	2700 K CRI 80, 3000 K CRI 80, 4000 K CRI 70, 4000 K CRI 80	On/Off, 0-10V	2.7 lbs

LW7036.519-EN

LW8017.693-EN



[S-S]

Spot - NEMA Type 0 (Up & Down)

[N-N]

Narrow - NEMA Type 2 (Up & Down)

[MN-MN]

Medium Narrow (Up & Down)

[M-M]

Medium (Up & Down)

[S]

Spot - NEMA Type 0

[N]

Narrow - NEMA Type 2

[MN]

Medium narrow - NEMA Type 3



[M]

Medium - NEMA Type 4

Accessories (To be ordered separately)

Optical accessories



Visor for PUNTO S

007502282

