

TILA

Elegant and Scalable Light Column
Family

CE UK CA IK08 IP66 

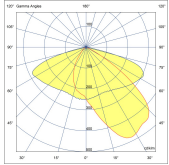
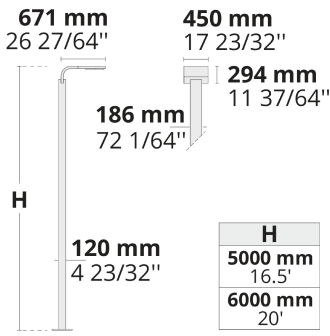
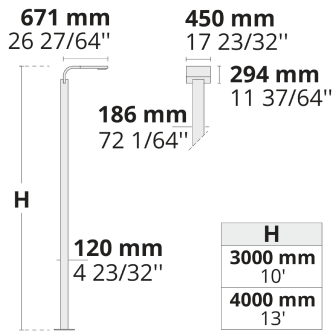
heper⁺



Unique design, flexible optics, and modular structure make TILA family stand out for contemporary architectural projects.

- Equipped with HEPER's patented Milestone EVO (ML EVO) module
- Minimized glare with hidden light source (ML)
- Indirect lighting with reflector technology (ML)
- Uniform lighting distribution through multifaceted reflectors (ML)
- Superior thermal management with upward aligned LED chips (ML)
- Easy installation and maintenance with modular structure

Product code	Product name	Light distribution	Delivered lumens flux	Rated input power	Colour temperature	Control	Weight
LL2013.682-EN	TILA ML EVO 2 Module	[T2] 130x85°	5819 - 7357 lm	70 W	2700 K CRI 80, 3000 K CRI 80, 4000 K CRI 70, 4000 K CRI 80	On/Off, DALI, AutoDIM, StepDIM	60.49 kg (3 m), 65.6 kg (4 m)
LL2013.684-EN	TILA ML EVO 4 Module	[T2] 130x85°	11643 - 14714 lm	136 W	2700 K CRI 80, 3000 K CRI 80, 4000 K CRI 70, 4000 K CRI 80	On/Off, DALI, AutoDIM, StepDIM	71.31 kg (5 m), 76.41 kg (6 m)



[T2]
Type II,
Asymmetric,
Side throw

Extras

Consult the factory

Luminaire body options



120-277V
50/60Hz

[UNI]

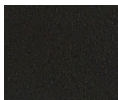
120-277V 50/60Hz



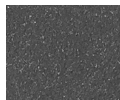
DPC

DPC

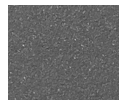
Double powder
coating



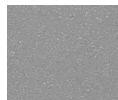
[HM1]
Black



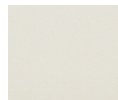
[HM2]
Dark grey



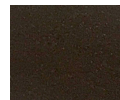
[HM3]
Anthracite
grey



[HM4]
Light grey



[HM5]
White



[HM6]
Bronze



[CC]
Custom
colour
(Please
specify RAL
code)