

TILA S

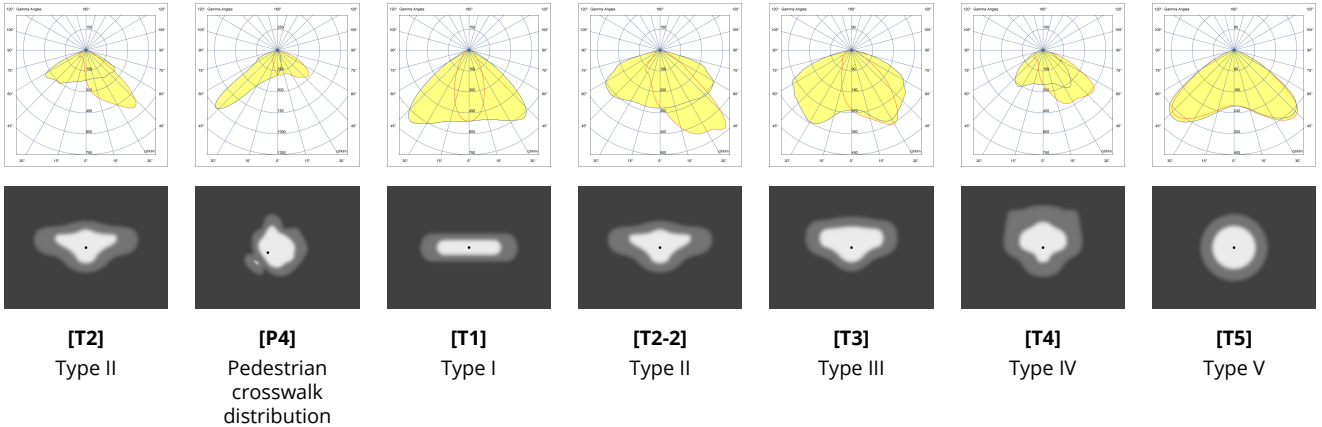
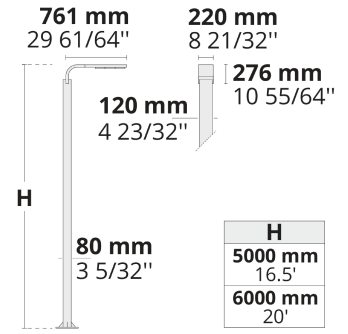
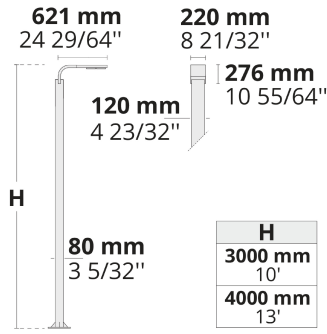
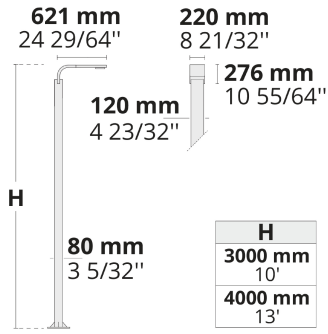
Elegant and Scalable Light Column Family



Unique design, flexible optics, and modular structure make TILA family stand out for contemporary architectural projects.

- Equipped with HEPER's patented Milestone EVO (ML EVO) or AreaFlex (AFX) module
- Minimized glare with hidden light source (ML)
- Flexible light distribution options from Type I through Type V (AFX)
- Indirect lighting with reflector technology (ML)
- Uniform lighting distribution through multifaceted reflectors (ML)
- Superior thermal management with upward aligned LED chips (ML)
- Easy installation and maintenance with modular structure

Product code	Product name	Light distribution	Delivered lumens flux	Rated input power	Color temperature	Control	Weight
LL2030.681-US	TILA S ML EVO 1 Module	[T2] 130x85°,	2909 - 3678 lm	35 W	2700 K CRI 80, 3000 K CRI 80, 4000 K CRI 70, 4000 K CRI 80	On/Off, 0-10V	43.16 lbs (10'), 50.07 lbs (13')
LL2030.682-US	TILA S ML EVO 2 Module	[T2] 130x85°,	5819 - 7357 lm	70 W	2700 K CRI 80, 3000 K CRI 80, 4000 K CRI 70, 4000 K CRI 80	On/Off, 0-10V	44.7 lbs (10'), 51.61 lbs (13')
LL2030.683-US	TILA S ML EVO 3 Module	[T2] 130x85°,	8733 - 11036 lm	104 W	2700 K CRI 80, 3000 K CRI 80, 4000 K CRI 70, 4000 K CRI 80	On/Off, 0-10V	60.76 lbs (16.5'), 67.69 lbs (20')
LL2030.861-US	TILA S AFX 1 Module	[P4] 20x78°, [T1] 111x48°, [T2] 133x48°, [T2-2] 149x54°, [T3] 143x63°, [T4] 117x64°, [T5] 117°,	1975 - 4540 lm	18 - 35 W	2700 K CRI 80, 3000 K CRI 80, 4000 K CRI 70, 4000 K CRI 80	On/Off, 0-10V	42.72 lbs (10'), 49.85 lbs (13')
LL2030.862-US	TILA S AFX 2 Module	[P4] 20x78°, [T1] 111x48°, [T2] 133x48°, [T2-2] 149x54°, [T3] 143x63°, [T4] 117x64°, [T5] 117°,	3785 - 9085 lm	34 - 67 W	2700 K CRI 80, 3000 K CRI 80, 4000 K CRI 70, 4000 K CRI 80	On/Off, 0-10V	40.04 lbs (10'), 51.17 lbs (13')
LL2030.863-US	TILA S AFX 3 Module	[P4] 20x78°, [T1] 111x48°, [T2] 133x48°, [T2-2] 149x54°, [T3] 143x63°, [T4] 117x64°, [T5] 117°,	5675 - 13800 lm	50 - 100 W	2700 K CRI 80, 3000 K CRI 80, 4000 K CRI 70, 4000 K CRI 80	On/Off, 0-10V	60.32 lbs (16.5'), 67.25 lbs (20')



Extras

Luminaire body options



DPC

Double powder coating

