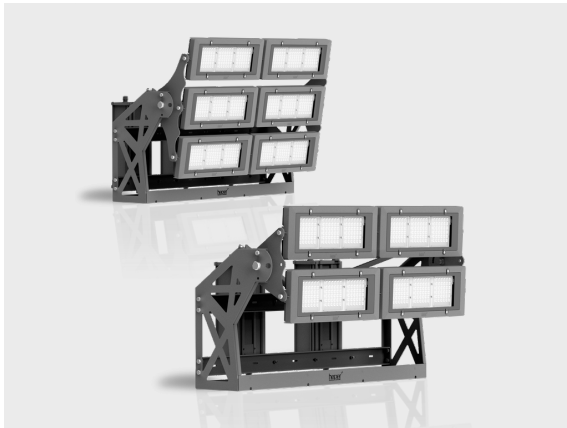


REGIO

Flexible Floodlight Family with Extreme Power

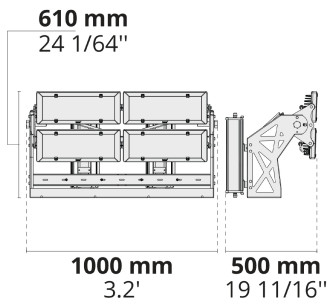


Multiple sizes, flexible optics and high-power light output options make the REGIO family stand out for the illumination tasks for public areas, sports arenas, and airport aprons.

- Glare management with special lens system
- 6 different beam angle options
- +45°/-45° vertically adjustable with aim locking set screw allowing fine-tuning
- Each part can be set to a different tilt angle separately
- Easy installation and maintenance with modular structure

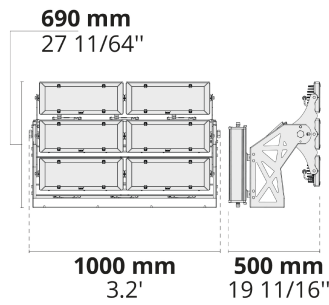
Product code	Product name	Light distribution	Delivered lumens flux	Rated input power	Colour temperature	Control	Weight
LF8035.521-EN	REGIO 1 Module	[EL] 15x40°, [N] 22°, [MN] 30°, [W] 111°,	23372 - 33010 lm	229 W	2700 K CRI 80, 3000 K CRI 80, 4000 K CRI 70, 4000 K CRI 80, 5700 K CRI 90	On/Off, DALI	10.93 kg
LF8035.522-EN	REGIO 2 Module	[N] 22°, [MN] 30°, [W] 111°,	46744 - 66029 lm	459 - 460 W	2700 K CRI 80, 3000 K CRI 80, 4000 K CRI 70, 4000 K CRI 80, 5700 K CRI 90	On/Off, DALI	19.14 kg
LF8035.523-EN	REGIO 3 Module	[N] 22°, [MN] 30°, [W] 111°,	70115 - 99033 lm	687 W	2700 K CRI 80, 3000 K CRI 80, 4000 K CRI 70, 4000 K CRI 80, 5700 K CRI 90	On/Off, DALI	36.2 kg

LF8032.524 / LF8032.534



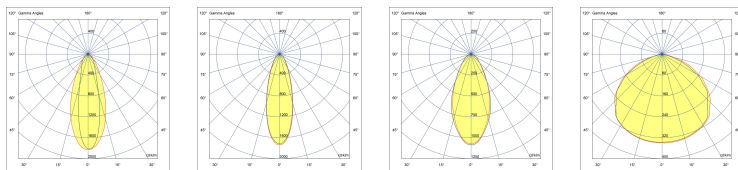
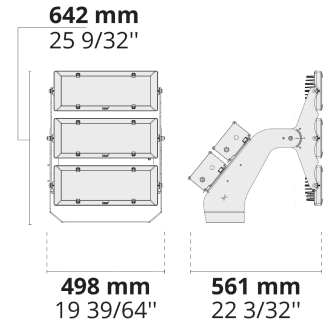
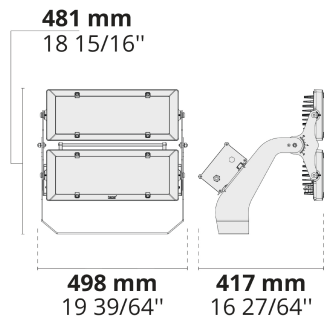
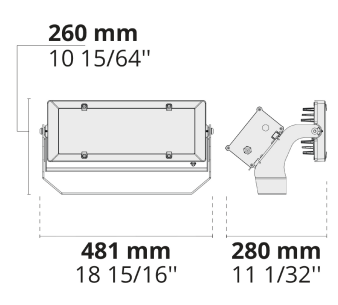
LF8035.522

LF8032.526 / LF8032.536



LF8035.523

LF8035.521



[EL]
Elliptical

[N]
Narrow

[MN]
Medium narrow

[W]
Wide

Extras

Consult the factory

Luminaire body options

120-277V
50/60Hz

DPC

UNI

120-277V 50/60Hz

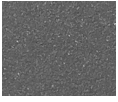
DPC

Double powder
coating

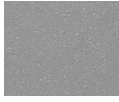
HPR Pazarlama A.Ş.
Başkent OSB 22. Cd. No: 2, Malıköy, Temelli,
Sincan, 06909 Ankara, Turkey
+90 312 267 54 30
info@hepergroup.com

HEPER Europe GmbH
Ahornweg 5a, 58675
Hemer, Germany
+49 237 2901 2975
infoEU@hepergroup.com

We reserve the right to change specifications
without prior written notice. Edition: 26.04.2024.
For current version visit heperlighting.com. All
flux ($\pm 7\%$ tolerance) and power values ($\pm 10\%$
tolerance) are derived following appropriate IES,
CIE, and applicable standards.



[HM3]
Anthracite
grey



[HM4]
Light grey



[CC]
Custom
colour
(Please
specify RAL
code)