

PINA F

Simple and Functional Floodlight Family

CE UK CA IK06 IP65 

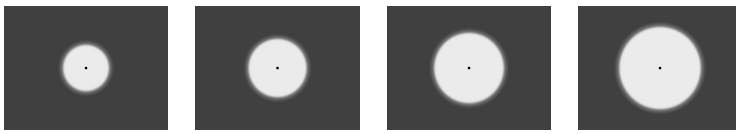
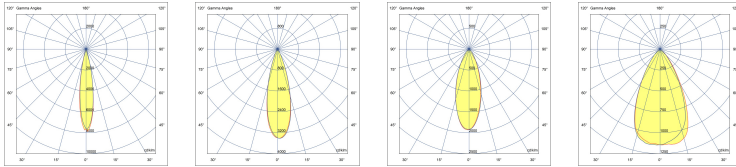
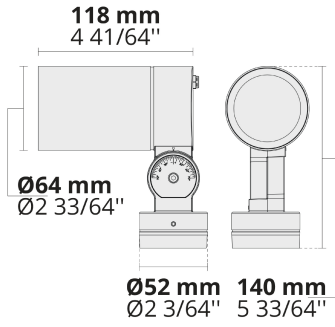


Small form factor and flexible optics make PINA F stand out for lighting applications in landscaped areas.

- Equipped with GU10 LED light source
- Offering up to 4 different beam angles from very narrow to medium
- +45°/-45° vertically adjustable with aim locking set screw allowing fine-tuning
- Easy installation and maintenance
- Surface mountable via a stationery base or spike (optional)

Product code	Product name	Light distribution	Delivered lumens flux	Rated input power	Colour temperature	Control	Weight
LF8033.003-EN	PINA Flood	[VN] 10°, [N] 25°, [MN] 36°, [M] 60°	368 - 410 lm	7.5 W	2700 K CRI 90, 3000 K CRI 90, 4000 K CRI 90	On/Off	0.43 kg

LF8033.003



[VN]

Very narrow

[N]

Narrow

[MN]

Medium narrow

[M]

Medium

Extras

Consult the factory

120-277V
50/60Hz

UNI

120-277V 50/60Hz

Accessories (To be ordered separately)

Mounting accessories



Spike

160405040

HPR Pazarlama A.Ş.
Başkent OSB 22. Cd. No: 2, Malıköy, Temelli,
Sincan, 06909 Ankara, Turkey
+90 312 267 54 30
info@hepergroup.com

HEPER Europe GmbH
Ahornweg 5a, 58675
Hemer, Germany
+49 237 2901 2975
infoEU@hepergroup.com

We reserve the right to change specifications without prior written notice. Edition: 24.04.2024. For current version visit heperlighting.com. All flux ($\pm 7\%$ tolerance) and power values ($\pm 10\%$ tolerance) are derived following appropriate IES, CIE, and applicable standards.

