

URBAN BOLLARD

Multi-functional, Durable and Elegant
Bollard Family

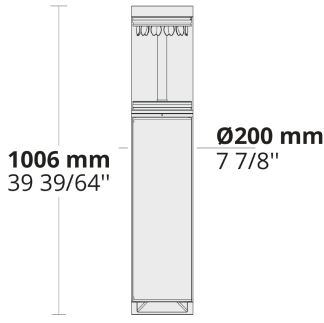


Endless infrastructural opportunities is combined with exquisite illumination. URBAN BOLLARD is more than a bollard family for caravan parks and marinas and it will easily harmonize itself to your daily life.

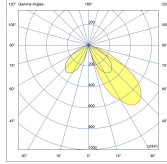
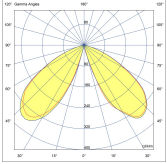
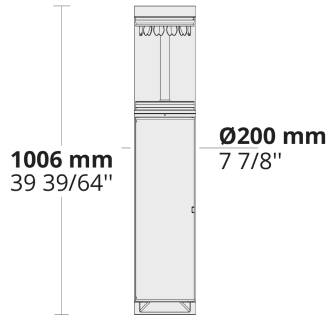
- Equipped with HEPER's Dyno (DYN) module
- Hidden light source prevents direct eye contact and minimizes glare
- Dark-Sky friendly reflector based optics prevent uplight
- Extended flexibility with rotatable top module
- Extended functionality with components with ready-to-use GFCI outlet
- Easy installation and maintenance

Product code	Product name	Light distribution	Delivered lumens flux	Rated input power	Colour temperature	Control	Weight
LB6060.547-EN	URBAN BOLLARD	[SYM] 114°	2096 - 2457 lm	30 W	2700 K CRI 80, 3000 K CRI 80, 4000 K CRI 70, 4000 K CRI 80	On/Off	11.8 kg
LB6060.548-EN	URBAN BOLLARD Asym	[ASYM] 102x45°	1048 - 1235 lm	15 W	2700 K CRI 80, 3000 K CRI 80, 4000 K CRI 70, 4000 K CRI 80	On/Off	11.8 kg
LB6061.547-EN	URBAN BOLLARD Ch	[SYM] 114°	2096 - 2457 lm	30 W	2700 K CRI 80, 3000 K CRI 80, 4000 K CRI 70, 4000 K CRI 80	On/Off	11.8 kg
LB6061.548-EN	URBAN BOLLARD Ch Asym	[ASYM] 102x45°	1048 - 1235 lm	15 W	2700 K CRI 80, 3000 K CRI 80, 4000 K CRI 70, 4000 K CRI 80	On/Off	11.8 kg

LB6060.547 / LB6060.548



LB6061.547 / LB6061.548



[SYM]

Symmetric

[ASYM]

Asymmetric

Extras

Consult the factory

120-277V
50/60Hz

UNI

120-277V 50/60Hz

Luminaire body options

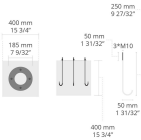
DPC

DPC

Double powder
coating

Accessories (To be ordered separately)

Anchorage



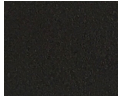
630J014

630J014

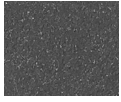
HPR Pazarlama A.Ş.
Başkent OSB 22. Cd. No: 2, Malıköy, Temelli,
Sincan, 06909 Ankara, Turkey
+90 312 267 54 30
info@hepergroup.com

HEPER Europe GmbH
Ahornweg 5a, 58675
Hemer, Germany
+49 237 2901 2975
infoEU@hepergroup.com

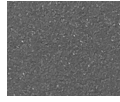
We reserve the right to change specifications
without prior written notice. Edition: 23.04.2024.
For current version visit heperlighting.com. All
flux ($\pm 7\%$ tolerance) and power values ($\pm 10\%$
tolerance) are derived following appropriate IES,
CIE, and applicable standards.



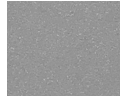
[HM1]
Black



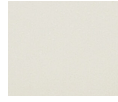
[HM2]
Dark grey



[HM3]
Anthracite
grey



[HM4]
Light grey



[HM5]
White



[HM6]
Bronze



[CC]
Custom
colour
(Please
specify RAL
code)