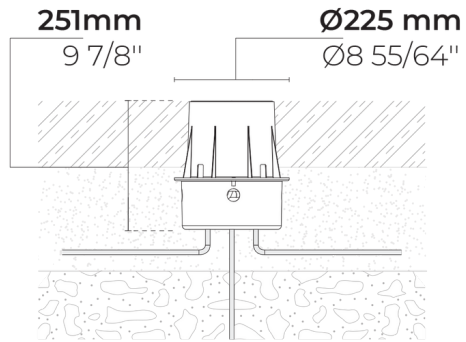


**HEPER USA LLC**

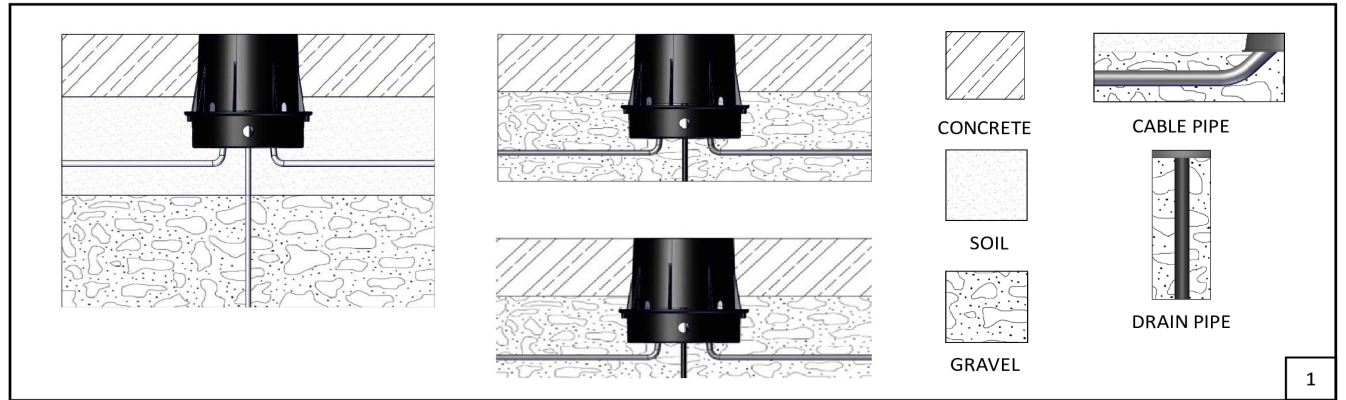
W227 N546 Westmound Drive Waukesha, 53186  
Wisconsin, United States  
+1 312 910 9740  
infoUS@hepergroup.com

**ZEROX S Dyno (LR9016.521-US)**

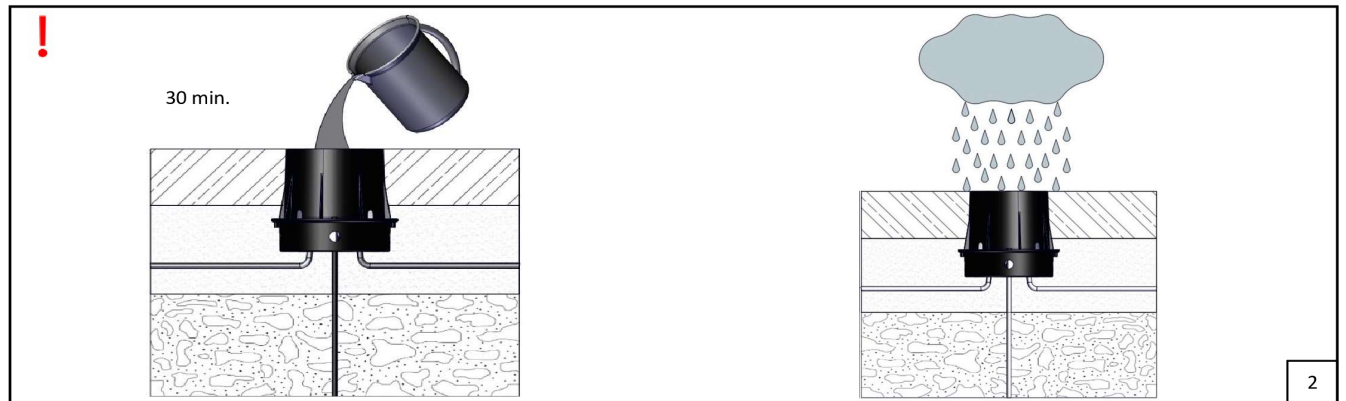


6.1 lbs

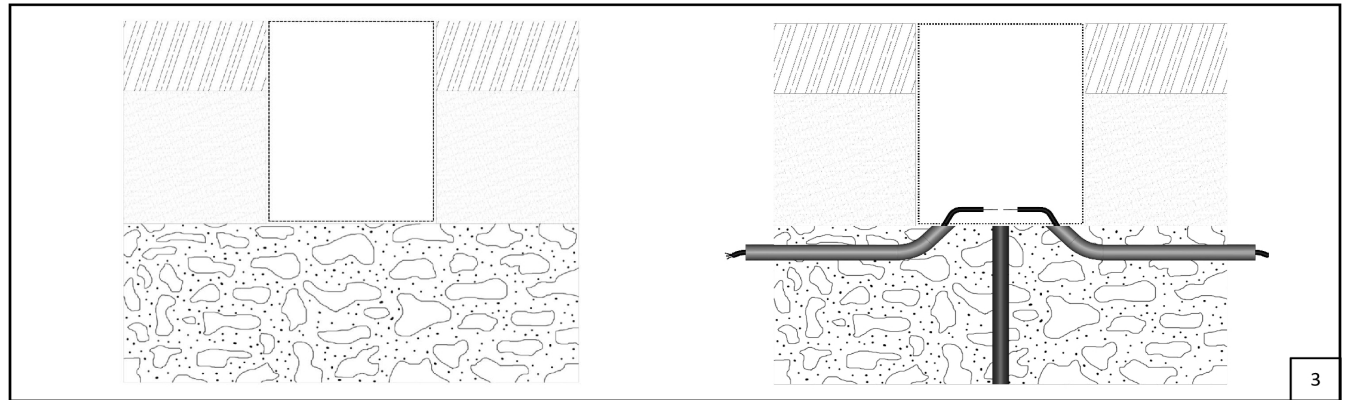
<https://heperlighting.com/us/lr9016.521-us/>



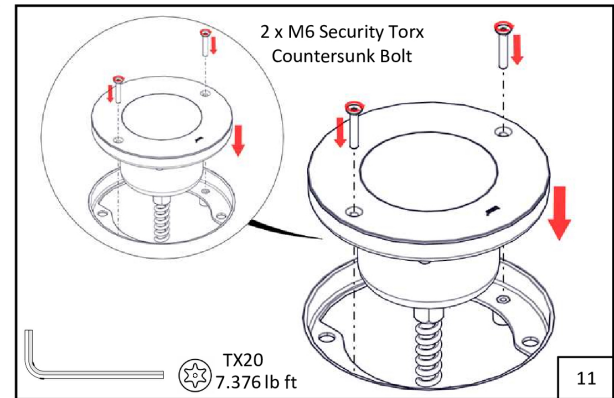
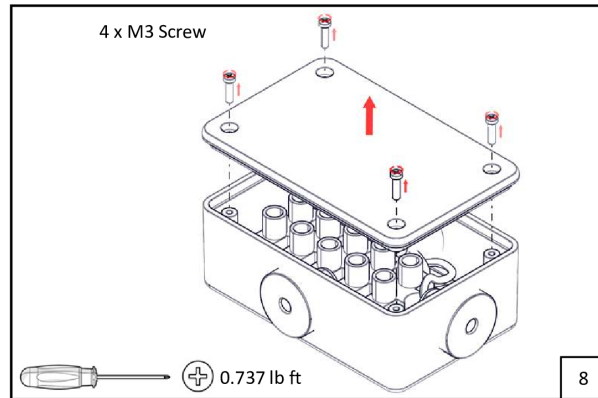
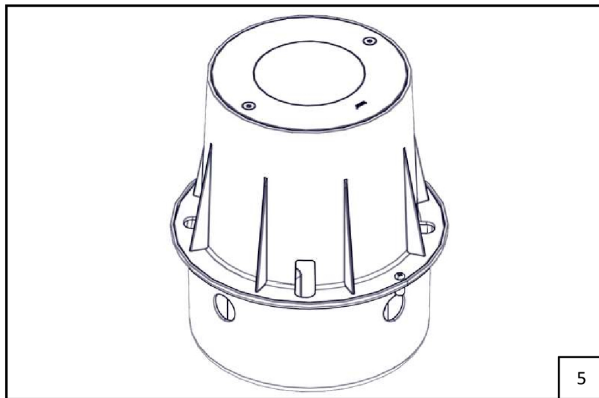
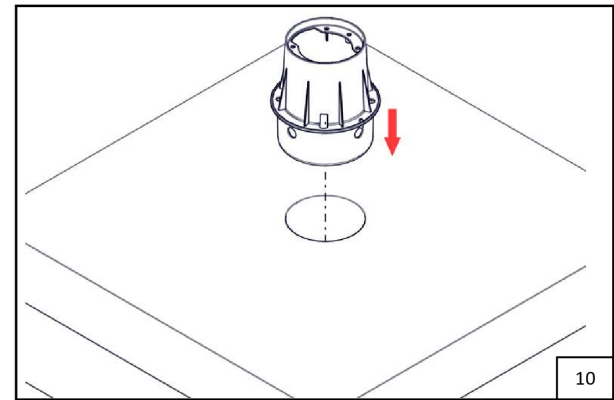
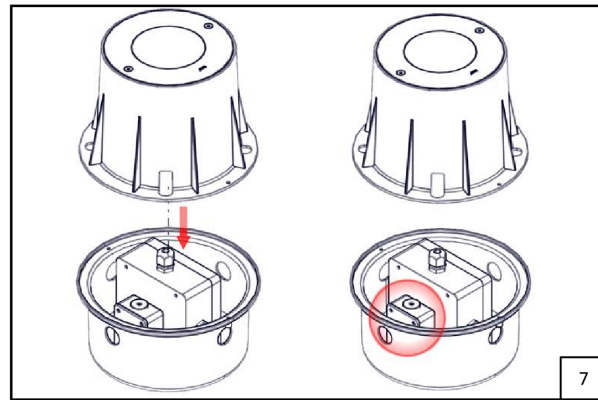
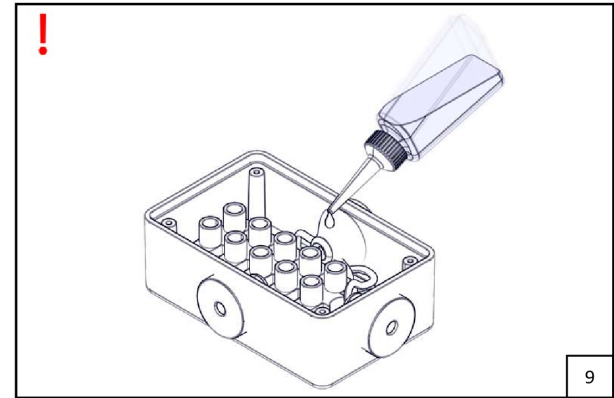
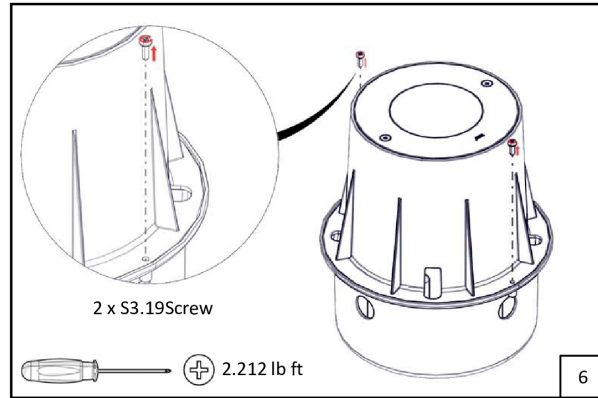
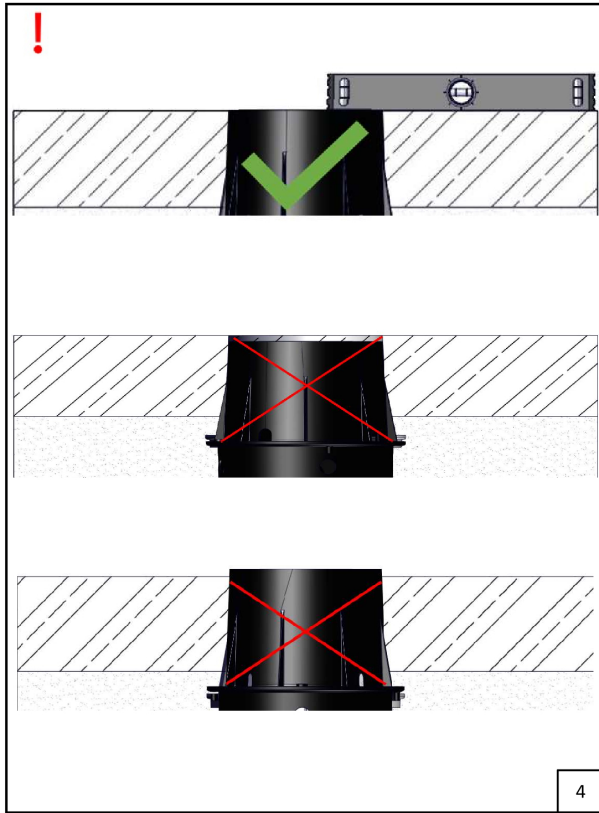
1

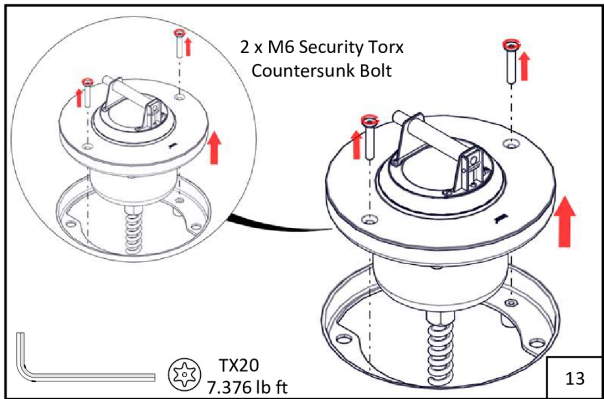
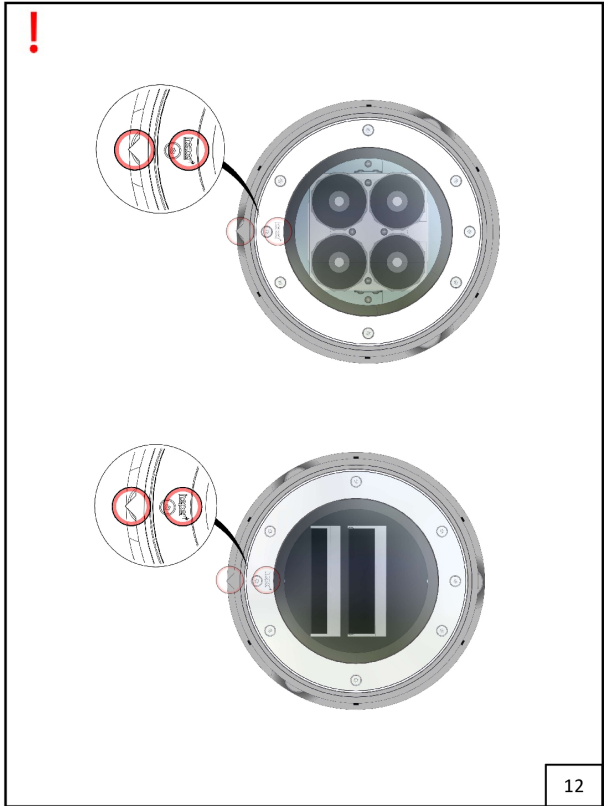


2



3





## English ( USA )

### Safety



- The product must be installed in accordance with applicable NEC standards by a qualified electrician familiar with the installation of exterior lighting fixtures.



- The product must be operated under specified voltage at all times.



- Do not install if parts are damaged.



- Power must be disconnected while installing or servicing to avoid electrical shock.



- Failing to comply with warnings and installation steps in this document might void warranty.



- Do not touch the light source.

- Make sure that temperature of the product is at a safe level before touching.

- Do not allow cables to touch sharp edges of metal parts or other sharp objects to avoid damage or abrasion.



- Check all of the cable connections including grounding before powering the product.

- Check the proper grounding of the metal housing before powering the product.

- Only use the product for its intended purposes.



- Do not use accessories not approved or recommended by HEPER.

- Installation of inground luminaires shouldn't be done during periods of excessive rain.

- The top surface of the plastic sleeve should not be allowed to sink below finished grade and collect moisture. Also it shouldn't allowed to be over finished grade to avoid any tripping hazard.



- Replace any broken/cracked protective surface with a new one

### Installation

- Please note that, sleeves/cases are ordered separately from the luminaire.

- Install pea gravel below luminaire to provide drainage. If the luminaire will be completely encased in concrete or a substrate that has questionable drainage, then the use of a drainage pipe to re-direct rain or water flowing into the luminaire is required

- Prior to installing the luminaire into the plastic sleeve, fill the sleeve with water and make certain it drains completely within 30 minutes.

- Prepare cavity and be sure that certain conduit and power supply cable are accessible and have ample slack to make appropriate connections.

- Install plastic sleeve into prepared cavity.

- Backfill the cavity around the plastic sleeve with the appropriate medium. Make certain that the plastic collar remains level and flush with finished grade or concrete.

- Utilize appropriate IP 68 or NEMA rated box and fittings to make all electrical connections. Note: IP 68 or NEMA rated box are provided with the product. Note 2: Do not open the driver assembly box, which comes with the product, to make the power connection.

- Align the "HEPER" Logo on the luminaire, and insert it with an aiming arrow on the plastic sleeve as shown on the visual.

- Secure the luminaire to plastic sleeve as shown on the visual.

- The final state of the luminaire will be as shown on the visual. The luminaire can be removed using case removing vacuum accessory to access the electrical connection.

### Cleaning - Maintenance

- The product was designed and manufactured to operate for a long period of time. To ensure maximum lifespan of the product, regular (i.e. every six months) visual inspection and cleaning with a solvent-free cleaner using a soft cloth is recommended.

- Do not clean or service while the product is power connected.

### Disposal



- In accordance with EU Directive WEEE (Waste Electrical and Electronic Equipment), luminaires must not be disposed of with other household waste. At the end of their life, luminaires must be taken to the appropriate local facility available for the disposal or recycling of electronic products.

### Wiring Color Codes

- Ground - GREEN

- Line - BLACK

- Neutral - WHITE

- Dim(+) - RED/PURPLE

- Dim (-) - GRAY/ORANGE

### Disclaimer

- HEPER reserve the right to make technical and design changes.